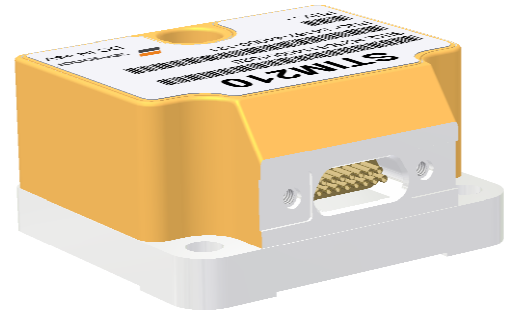


### 1 FEATURES

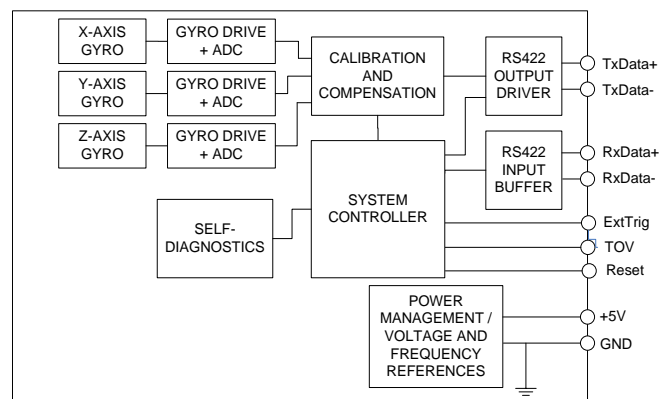
- Excellent performance in vibration and shock environments
- 1, 2 or 3 axes offered in same package
  - Electronically calibrated axis alignment
- Single-crystal silicon technology
- Low bias drift
- Low noise
- Standard high-level RS422 interface
- Fully configurable:
  - 5 different sampling rates
  - 5 different bandwidths
  - LP filter -3dB frequency can be set individually for each axis
  - RS422 protocol, bit rate and line termination
  - Selectable output unit: angular rate [deg/s], incremental angle [deg], average angular rate [deg/s] or integrated angle [°]
- External Trigger input and Time Of Validity output to enable synchronization
- Miniature package
- Continuous self-diagnostics



(38.6mm x 44.8mm x 21.5mm)

### 2 GENERAL DESCRIPTION

STIM210 is a cluster of 1, 2 or 3 high accuracy MEMS-based gyros in a miniature package. Any configuration of axes can be provided. Each axis is factory-calibrated for bias, sensitivity and compensated for temperature effects to provide high-accuracy measurements in the temperature range -40°C to +85°C. The unit runs off a single +5V supply.



**Figure 2-1: STIM210 FUNCTION BLOCK DIAGRAM**

STIM210 communicates via a standard high-level RS422 interface. The use of a 32 bit RISC ARM microcontroller provides flexibility in the configuration, like choice of output unit, sample rate, LP filter -3dB frequency and RS422 bit-rate and protocol parameters. All configurable parameters can be defined when ordering or set by customer.

When STIM210 is powered up, it will perform an internal system check and synchronise the gyros. As an acknowledgement of the complete power-up sequence, it will provide special datagrams containing data, like part number, serial number, number of active axis and configuration parameters as mentioned above. STIM210 will then automatically proceed to provide measurement data. Connect power and STIM210 will provide accurate gyro measurements over the RS422 interface without any interaction with the device.

The measurement data is transmitted as packages of data on a fixed format (datagram) at intervals given by the sample rate. The datagram is in binary coded format in order to have an efficient transfer of data. In addition to the measurement data itself, the datagram contains an identifier, a status byte and a CRC (Cyclic Redundancy Check) byte to provide high degree of fault detection in the transmissions. The status byte will flag any detected errors in the system.

For more advanced users, the gyro may be put in Service Mode. In this mode all the configuration parameters can be intermediately or permanently changed by overwriting the current settings in the flash memory. In Service Mode the commands and responses are in a human readable format; to enable the use of terminal-type software during typical product integration. Service Mode also provides the ability to perform single measurements, perform diagnostics and obtain a higher detail level of detected errors reported in the status byte.

**3 TABLE OF CONTENTS**

1	FEATURES .....	1
2	GENERAL DESCRIPTION.....	1
3	TABLE OF CONTENTS .....	2
4	DEFINITIONS AND ABBREVIATIONS USED IN DOCUMENT .....	3
4.1	Definitions .....	3
4.2	Abbreviations .....	3
5	ABSOLUTE MAXIMUM RATINGS.....	3
6	SPECIFICATIONS.....	3
6.1	TYPICAL PERFORMANCE CHARACTERISTICS.....	7
6.1.1	Bias Instability .....	7
6.1.2	Initial bias drift .....	7
6.1.3	Non-Linearity.....	8
6.1.4	Bias drift over temperature .....	8
6.1.5	Frequency characteristics .....	9
6.2	Configurable parameters .....	11
6.3	Datagram specifications .....	12
6.4	Status byte .....	15
7	MECHANICAL .....	16
7.1	Mechanical dimensions .....	16
7.2	Pin configuration .....	17
7.3	Definition of axes .....	17
8	BASIC OPERATION.....	18
8.1	Reset.....	18
8.2	External Trigger .....	19
8.3	Time of Validity (TOV) .....	20
8.4	Operating modes .....	21
8.4.1	Init Mode .....	21
8.4.2	Normal Mode .....	21
8.4.3	Service Mode .....	25
8.5	Self diagnostics.....	25
9	COMMANDS IN NORMAL MODE .....	26
9.1	N (PART NUMBER DATAGRAM) command .....	26
9.2	I (SERIAL NUMBER DATAGRAM) command.....	26
9.3	C (CONFIGURATION DATAGRAM) command .....	26
9.4	R (RESET) command.....	27
9.5	SERVICEMODE command .....	27
10	COMMANDS IN SERVICE MODE .....	28
10.1	i (INFORMATION) command.....	29
10.2	a (SINGLE-SHOT MEASUREMENT) command.....	32
10.3	c (DIAGNOSTIC) command .....	33
10.4	d (DATAGRAM FORMAT) command.....	35
10.5	t (TRANSMISSION PARAMETERS) command .....	36
10.6	r (TERMINATION) command.....	37
10.7	u (OUTPUT UNIT) command .....	38
10.8	f (LP FILTER -3dB FREQUENCY) command .....	39
10.9	m (SAMPLE RATE) command .....	40
10.10	s (SAVE) command .....	41
10.11	x (EXIT) command.....	42
10.12	z (RESTORE TO FACTORY SETTINGS) command .....	43
10.13	? (HELP) command .....	44
11	MARKING .....	47
12	PART NUMBER / ORDERING INFORMATION .....	47

### 4 DEFINITIONS AND ABBREVIATIONS USED IN DOCUMENT

#### 4.1 Definitions

$$1g = 9.80665m/s^2$$

#### 4.2 Abbreviations

**Table 4-1: Abbreviations**

ABBREVIATION	FULL NAME
BSL	Best Straight Line
CIC-filter	Cascaded Integrator Comb filter
CR	Carriage Return
FS	Full-Scale
LF	Line Feed
LP filter	Low-Pass filter
lsb	Least significant bit
LSB	Least Significant Byte
MSB	Most Significant Byte
tbd	to be defined
TOV	Time Of Validity

### 5 ABSOLUTE MAXIMUM RATINGS

Stresses beyond those listed in Table 5-1 may cause permanent damage to the device. Exposure to any Absolute Maximum Rating condition for extended periods may affect device reliability and lifetime.

**Table 5-1: Absolute maximum ratings**

Parameter	Rating	Comment
Mechanical shock	1 500g/0.5ms half-sine	Any direction
ESD human body model	±2kV	
Storage temperature	-55°C to +90°C	
VSUP to GND	-0.5 to +7V	
RxD+ or RxD- to GND	-0.3V to +7V	
RxD+ to RxD-	±6V	with 120Ω Line Termination = ON
TxD+ or TxD- to GND	-8V to +8V	
ExtTrig to GND	-0.3V to +7V	
TOV to GND	-0.3V to +7V	
NRST to GND	-0.3V to +7V	
Chassis to GND	500V	

### 6 SPECIFICATIONS

**Table 6-1: Operating conditions**

Parameter	Conditions	Min	Nom	Max	Unit	Note
<b>INPUT RANGE</b>			±400		°/s	
<b>POWER SUPPLY</b>		4.5	5.0	5.5	V	
<b>OPERATING TEMPERATURE</b>		-40		+85	°C	

**Table 6-2: Functional specifications, general**

Parameter	Conditions	Min	Nom	Max	Unit	Note
<b>POWER CONSUMPTION</b>						
Power consumption				1.5	W	
<b>TIMING</b>						
Start-Up time after Power-On				1	s	1
Time to transmit after Reset				1	s	2
Start-Up Time				1	s	3
RS422 Bit-Rate		ref. Table 6-5				
RS422 Bit-Rate Accuracy				±1	%	
Sample Rate				2000	samples/s	4
Sample Rate Accuracy				±1	%	
<b>RS422 PROTOCOL</b>						
Start Bit			1		bit	
Data Length			8		bits	
Parity			None			4
Stop Bits			1		bit	4
<b>RS422 LINE TERMINATION</b>						
Input resistance	Line termination = ON		120		Ω	
Input resistance	Line termination = OFF	48	125		kΩ	
<b>RESET (NRST PIN)</b>						
Logic levels	“high” “low”	3.7		1.3	V V	
Minimum hold time for reset		1			μs	
Pull-Up Resistor		100	150		kΩ	
<b>EXTERNAL TRIGGER</b>						
Logic levels	“high” “low”	3.7		1.3	V V	
Trigger		Negative transition				
Minimum “high” time before trigger, $t_{ext\_hi}$		50			ns	5
Minimum “low” time after trigger, $t_{ext\_lo}$		50			ns	5
Delay from external trigger to start of transmission, $t_{ext\_tx}$				250	μs	5
Time between triggers	Measurement.unit:					
	angular rate	0.5		8	ms	
	incremental angle	0.5		8	ms	6
	average rate	0.5		250	ms	6
	integrated angle	0.5		16	ms	6
Pull-Up Resistor		40	50		kΩ	
Latency				1000	μs	
<b>TIME OF VALIDITY (TOV PIN)</b>						
Output configuration			Open drain			
Internal Pull-Up Resistor to Vsup			10		kΩ	
Sink capability				50	mA	
TOV active level			Active “low”			
Minimum time of TOV, $t_{tov\_min}$		50			μs	7
Delay from internal time-tick to TOV active, $t_{tov\_dl}$			4	6	μs	7
Delay from TOV “low” to start of transmission, $t_{tov\_tx}$				20	μs	7
<b>CHASSIS</b>						
Isolation resistance chassis to GND (pin2)	500V	100			MΩ	

Note 1: Time from Power-On to start of datagram transmissions (starting with part-number datagram)

Note 2: Time from Reset release to start of datagram transmissions (starting with part-number datagram)

Note 3: Time from Power-On or Reset to the reset of the Start-Up bit (Bit 6 in the STATUS byte ref. Table 6-11).

During this period the output data should be regarded as non-valid

Note 4: Other values can be configured, ref. Table 6-5

Note 5: For definition, ref. Figure 8-3

Note 6: If time between triggers is longer, overload may occur even if the unit is operated within operating range

Note 7: For definition, ref. Figure 8-4 and Figure 8-5

**Table 6-3: Functional specifications, gyros**

Parameter	Conditions	Min	Nom	Max	Unit	Note
Full Scale (FS)			±400		°/s	1
Resolution			24 2 <sup>-14</sup>		bits °/s	
Scale Factor Accuracy			±500		ppm	
Non-Linearity	±200°/s		25		ppm	2
	±400°/s		50		ppm	2
Bandwidth (-3dB)			262		Hz	3
Group Delay			1.6		ms	4
Bias Accuracy		-250	0	+250	°/h	
Bias error over temperature	$\Delta T \leq \pm 1^\circ\text{C}/\text{min}$		10		°/h rms	
Bias Instability	Allan Variance @25°C		0.5		°/h	
Angular Random Walk	Allan Variance @25°C		0.15		°/√hr	
Linear Acceleration Effect				18	°/h/g	
Vibration Rectification Coefficient	f<1000Hz		0.1		°/h/g <sup>2</sup> <sub>rms</sub>	
Misalignment						
STIM210X,Y,Z (1 axis version)			5		mrad	5
STIM210XY,XZ,YZ (2 axis version)			5		mrad	5
STIM210 (3 axis version)			1		mrad	5

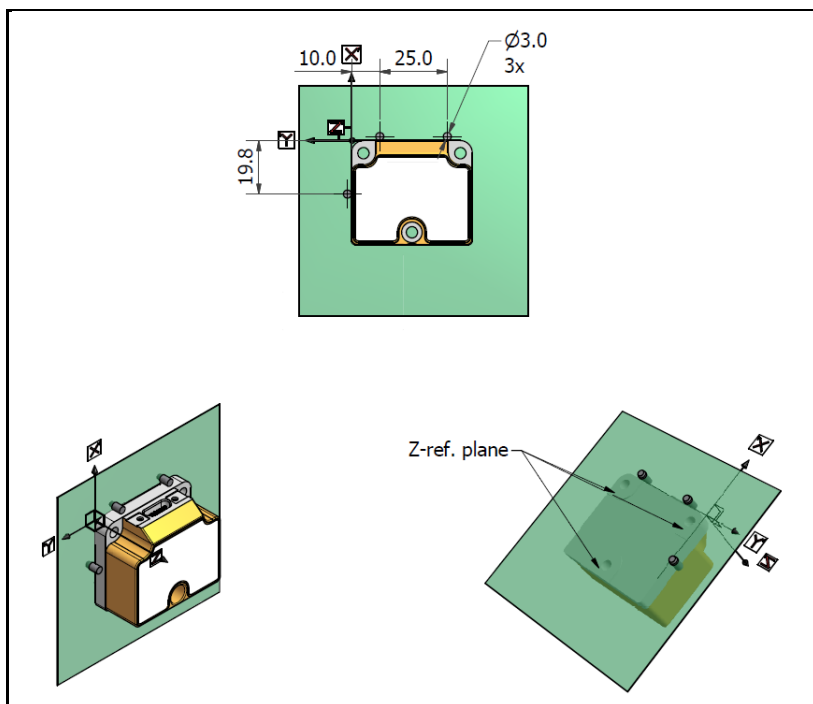
Note 1: Output is monotonous and will saturate at ±480°/s

Note 2: Largest deviation from BSL (Best Straight Line) over the range specified

Note 3: Bandwidth can be configured, ref. Table 6-5

Note 4: Specified group delay is valid for a filter setting = 262Hz. See Table 6-5 to find group delay for other filter-settings. Total delay to start of datagram transmission = group delay + 0.5ms + t<sub>toV\_dl</sub> + t<sub>toV\_tx</sub>

Note 5: Ref. Figure 6-1 for definition of reference points used in axes alignment



**Figure 6-1: Reference points for alignment of axes**

**Table 6-4: Functional specifications, temperature**

Parameter	Conditions	Min	Nom	Max	Unit	Note
Bias Accuracy	@25°C		±5		°C	1
Scale factor accuracy			±5		%	

Note 1: Temperature is calibrated to reflect ambient temperature and not the internal temperature.  
Temperature error during first 5 minutes: -20°C (min) to +5°C (max)

6.1 TYPICAL PERFORMANCE CHARACTERISTICS

6.1.1 Bias Instability

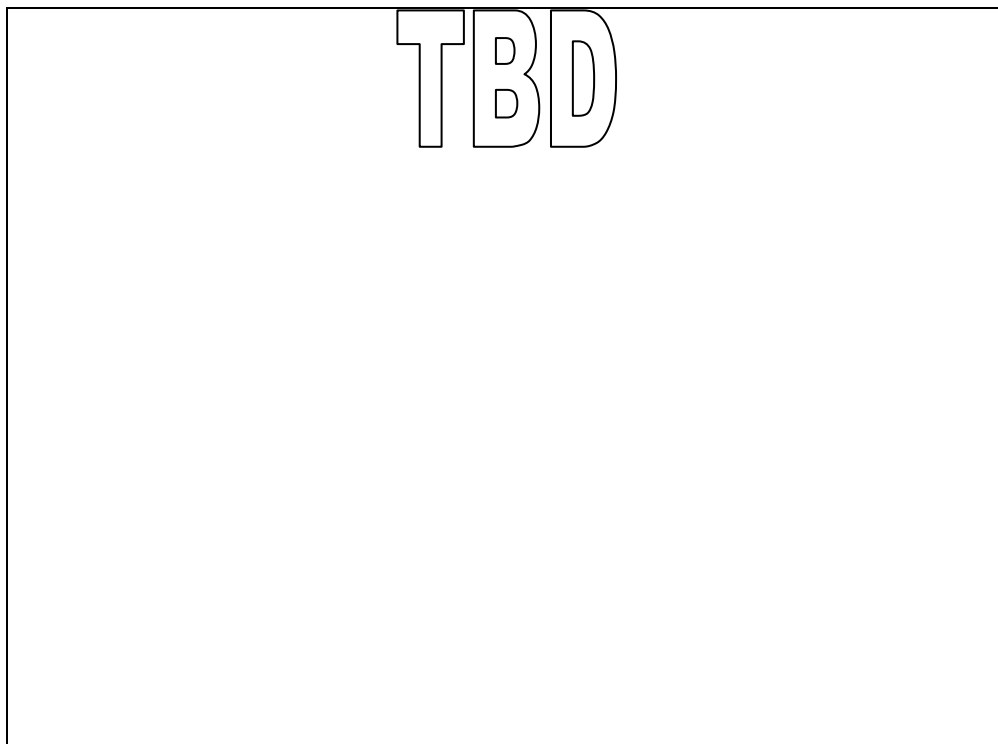


Figure 6-2: Typical Root Allan-Variance plot

6.1.2 Initial bias drift

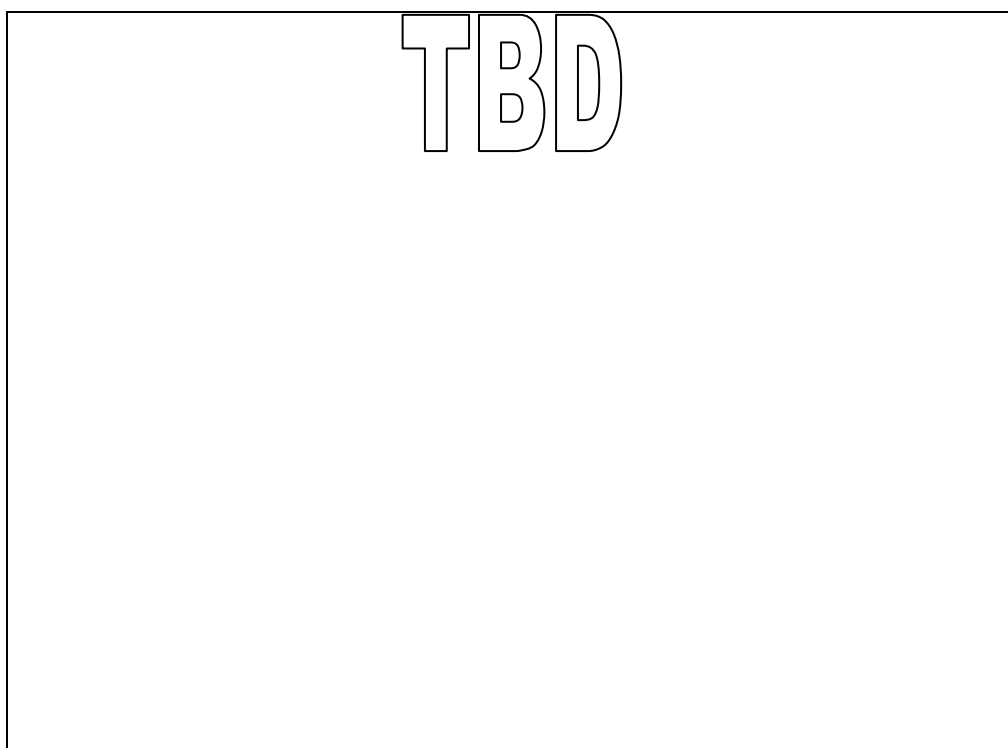


Figure 6-3: Typical initial bias drift

6.1.3 Non-Linearity

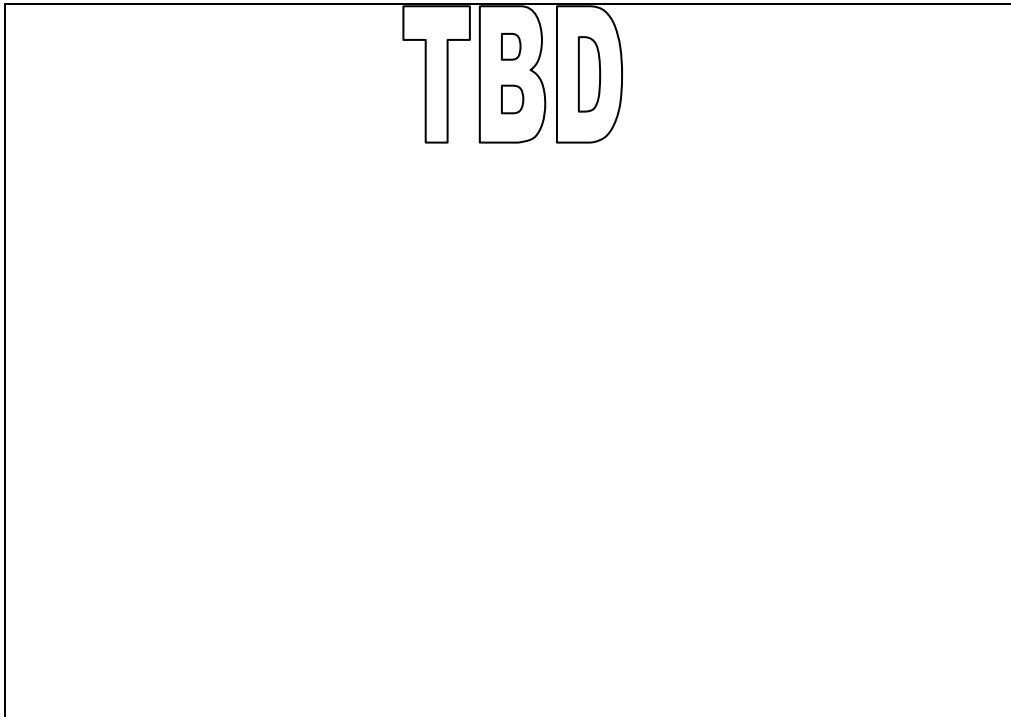


Figure 6-4: Typical Non-Linearity

6.1.4 Bias drift over temperature

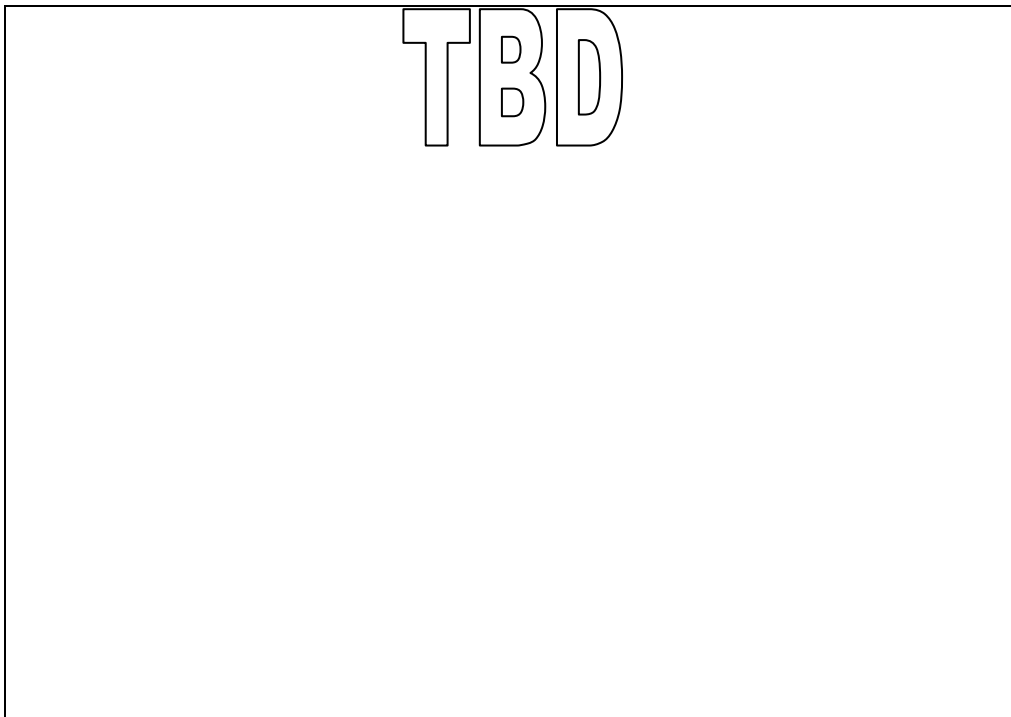
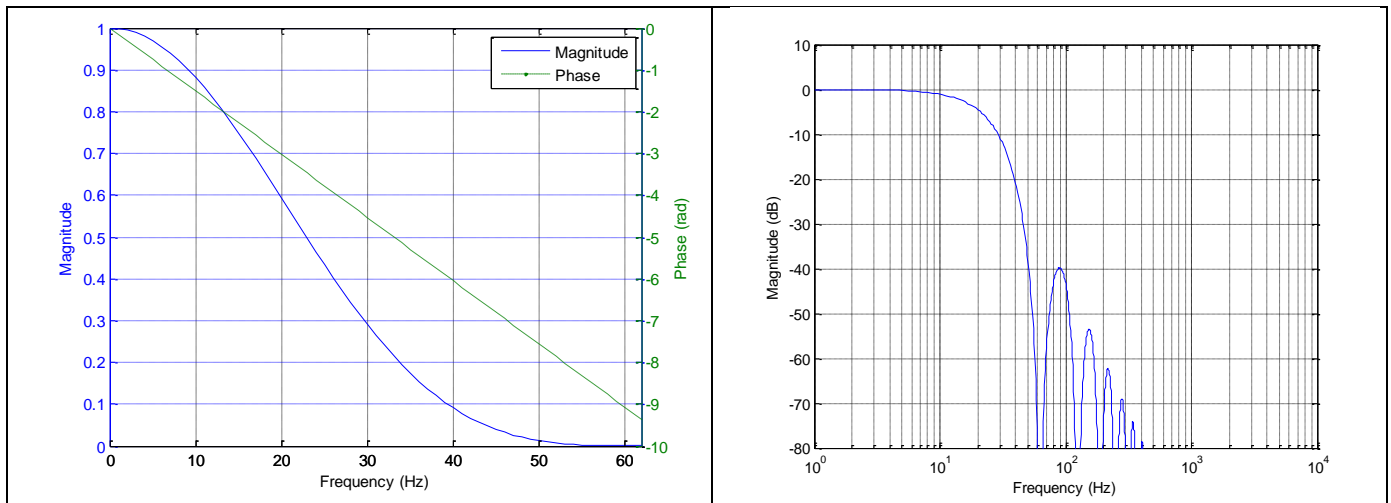
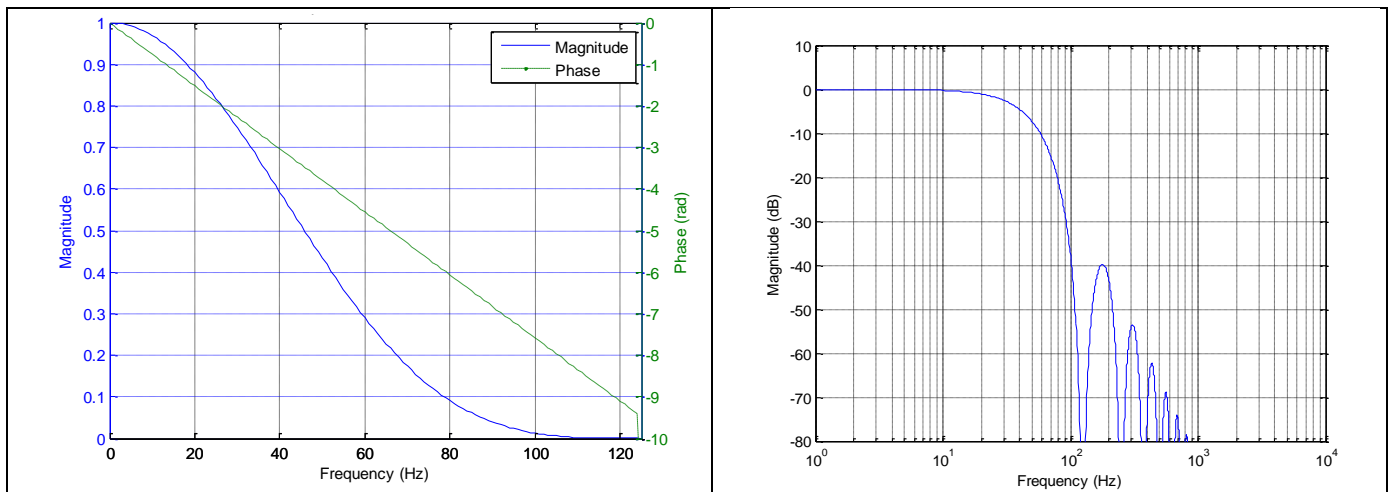
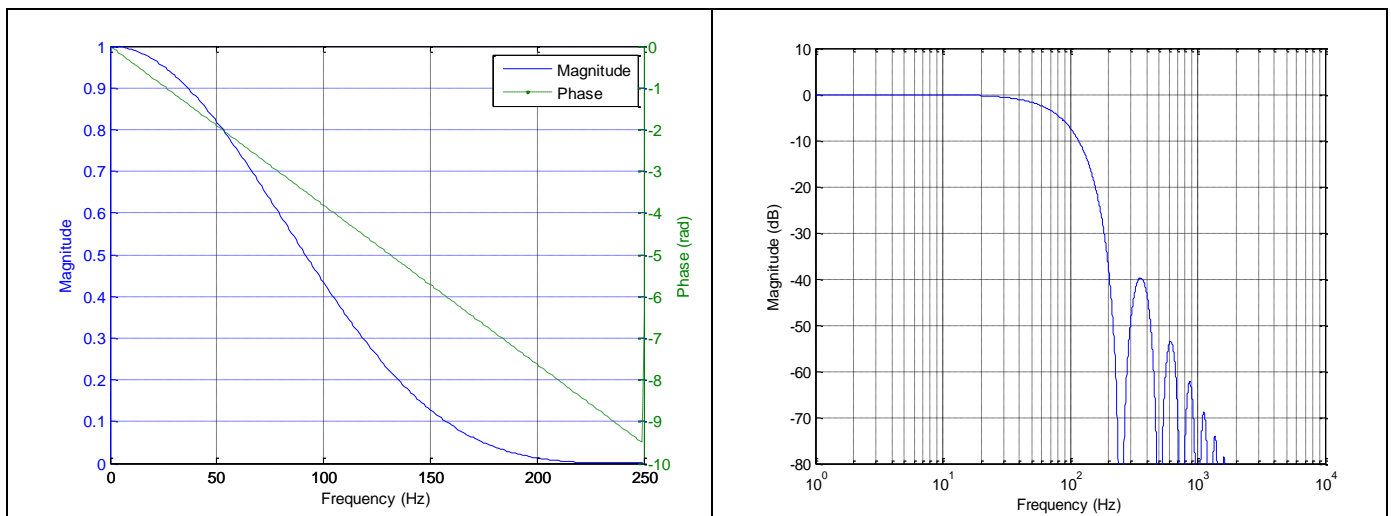
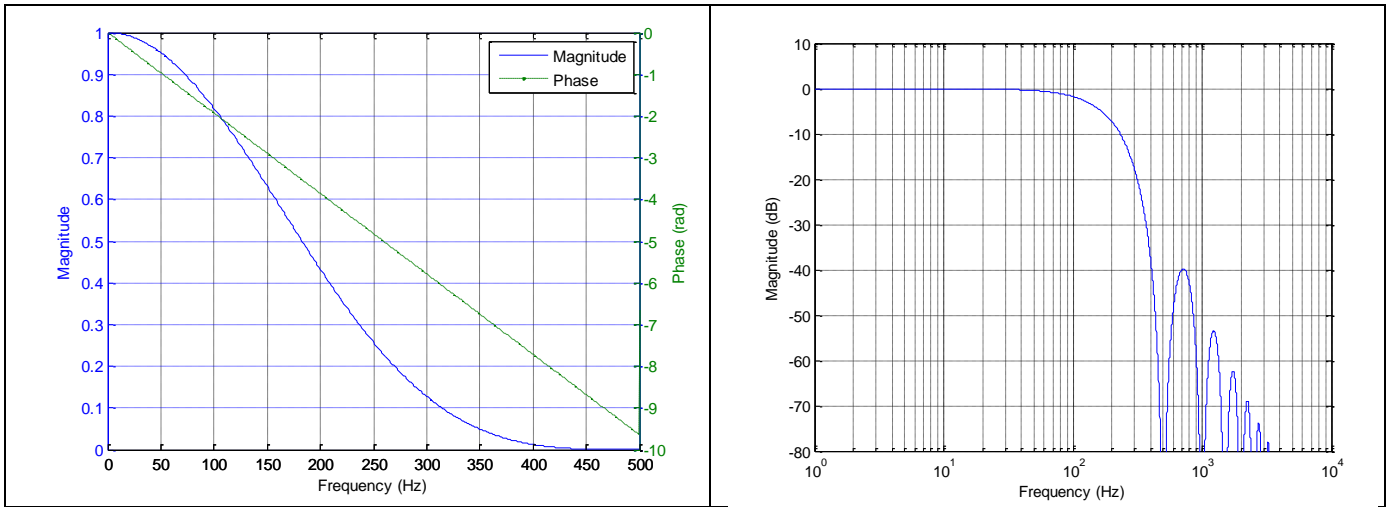


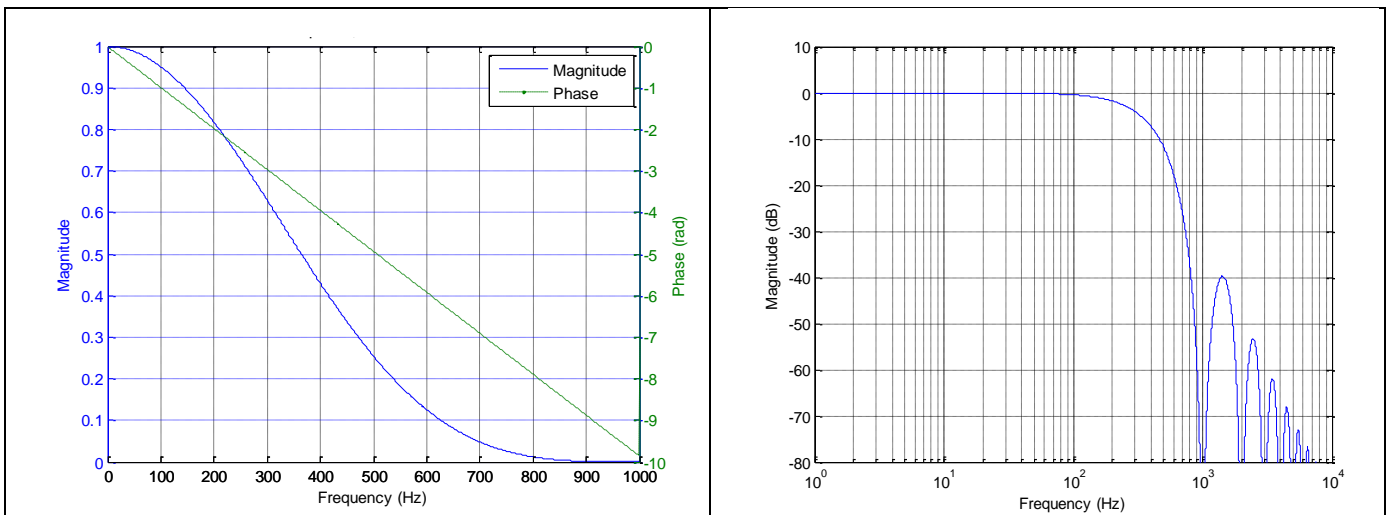
Figure 6-5: Typical Bias drift over temperature



**6.1.5 Frequency characteristics**

**Figure 6-6: Frequency characteristics with low-pass filter -3dB frequency set to 16Hz**

**Figure 6-7: Frequency characteristics with low-pass filter -3dB frequency set to 33Hz**

**Figure 6-8: Frequency characteristics with low-pass filter -3dB frequency set to 66Hz**



**Figure 6-9: Frequency characteristics with low-pass filter -3dB frequency set to 131Hz**



**Figure 6-10: Frequency characteristics with low-pass filter -3dB frequency set to 262Hz**

### 6.2 Configurable parameters

**Table 6-5: Configurable parameters**

Parameter	Configurations	Comments												
<b>DATAGRAM FORMAT</b>	Standard Extended Rate and temperature Rate and counter Rate and latency Rate, counter and latency Rate, temperature and counter Rate, temperature and latency Rate, temperature, counter and latency	Contains measurements and status byte For future use												
<b>DATAGRAM TERMINATION</b>	NONE <CR><LF>													
<b>MEASUREMENT UNIT</b>	Angular rate [°/s] Incremental angle [°/sample] Average angular rate [°/s] Integrated angle [°]													
<b>SAMPLING RATE</b>	125 samples/s 250 samples/s 500 samples/s 1000 samples/s 2000 samples/s External trigger													
<b>LOW-PASS FILTER -3dB FREQUENCY</b>	<table border="1" style="display: inline-table; vertical-align: top;"> <thead> <tr> <th>-3dB freq.:</th> <th>Group delay:</th> </tr> </thead> <tbody> <tr> <td>16Hz</td> <td>23.4ms</td> </tr> <tr> <td>33Hz</td> <td>11.7ms</td> </tr> <tr> <td>66Hz</td> <td>5.9ms</td> </tr> <tr> <td>131Hz</td> <td>3.0ms</td> </tr> <tr> <td>262Hz</td> <td>1.6ms</td> </tr> </tbody> </table>	-3dB freq.:	Group delay:	16Hz	23.4ms	33Hz	11.7ms	66Hz	5.9ms	131Hz	3.0ms	262Hz	1.6ms	Low-pass filters are CIC type filters. Filter settings can be set individually for each axis in Service Mode. Total delay to start of datagram transmission = group delay + 0.5ms + $t_{\text{tov\_tx}}$
-3dB freq.:	Group delay:													
16Hz	23.4ms													
33Hz	11.7ms													
66Hz	5.9ms													
131Hz	3.0ms													
262Hz	1.6ms													
<b>RS422 BIT RATE</b>	374400 bits/s 460800 bits/s 921600 bits/s 1843200 bits/s	Some limitations apply to the use of 374400 and 460800 bits/s, dependent on chosen sampling rate and datagram format, ref Table 6-10												
<b>RS422 PARITY</b>	None Odd Even													
<b>RS422 STOP BITS</b>	1 stop bit 2 stop bits													
<b>RS422 120Ω LINE TERMINATION</b>	OFF ON													

Refer to chapter 12 for information on how to configure STIM210 when ordering.

### 6.3 Datagram specifications

**Table 6-6: Specification of the Part Number datagram**

Byte#	Bit#								Specification
	7	6	5	4	3	2	1	0	
0	0	1	0	1	0	1	0	0	<b>Part Number datagram identifier:</b> 0x54 for datagrams without CR+LF termination 0x56 for standard datagrams w.CR+LF
1	0	0	0	0	P1 <sub>3</sub>	P1 <sub>2</sub>	P1 <sub>1</sub>	P1 <sub>0</sub>	Low nibble: 1.digit (BCD) of part number
2	P2 <sub>3</sub>	P2 <sub>2</sub>	P2 <sub>1</sub>	P2 <sub>0</sub>	P3 <sub>3</sub>	P3 <sub>2</sub>	P3 <sub>1</sub>	P3 <sub>0</sub>	High nibble: 2.digit (BCD) of part number Low nibble: 3.digit (BCD) of part number
3	P4 <sub>3</sub>	P4 <sub>2</sub>	P4 <sub>1</sub>	P4 <sub>0</sub>	P5 <sub>3</sub>	P5 <sub>2</sub>	P5 <sub>1</sub>	P5 <sub>0</sub>	High nibble: 4.digit (BCD) of part number Low nibble: 5.digit (BCD) of part number
4	0	0	1	0	1	1	0	1	ASCII character "-" (0x2D)
5	P6 <sub>3</sub>	P6 <sub>2</sub>	P6 <sub>1</sub>	P6 <sub>0</sub>	P7 <sub>3</sub>	P7 <sub>2</sub>	P7 <sub>1</sub>	P7 <sub>0</sub>	High nibble: 6.digit (BCD) of part number Low nibble: 7.digit (BCD) of part number
6	P8 <sub>3</sub>	P8 <sub>2</sub>	P8 <sub>1</sub>	P8 <sub>0</sub>	P9 <sub>3</sub>	P9 <sub>2</sub>	P9 <sub>1</sub>	P9 <sub>0</sub>	High nibble: 8.digit (BCD) of part number Low nibble: 9.digit (BCD) of part number
7	0	0	1	0	1	1	0	1	ASCII character "-"(0x2D)
8	P10 <sub>3</sub>	P10 <sub>2</sub>	P10 <sub>1</sub>	P10 <sub>0</sub>	P11 <sub>3</sub>	P11 <sub>2</sub>	P11 <sub>1</sub>	P11 <sub>0</sub>	High nibble: 10.digit (BCD) of part number Low nibble: 11.digit (BCD) of part number
9	P11 <sub>3</sub>	P11 <sub>2</sub>	P11 <sub>1</sub>	P11 <sub>0</sub>	P13 <sub>3</sub>	P13 <sub>2</sub>	P13 <sub>1</sub>	P13 <sub>0</sub>	High nibble: 12.digit (BCD) of part number Low nibble: 13.digit (BCD) of part number
10	r <sub>7</sub>	r <sub>6</sub>	r <sub>5</sub>	r <sub>4</sub>	r <sub>3</sub>	r <sub>2</sub>	r <sub>1</sub>	r <sub>0</sub>	Part number revision. Content of byte represents the ASCII character of the revision. Numbering sequence: "-", "A", "B", ....., "Z"
11	c <sub>7</sub>	c <sub>6</sub>	c <sub>5</sub>	c <sub>4</sub>	c <sub>3</sub>	c <sub>2</sub>	c <sub>1</sub>	c <sub>0</sub>	Cyclic Redundancy Check is performed on all preceding bytes and is generated from the polynomial: $x^8 + x^2 + x + 1$ , seed = 0xFF
(12)	0	0	0	0	1	1	0	1	<CR> only when <CR><LF> datagram termination have been chosen
(13)	0	0	0	0	1	0	1	0	<LF> only when <CR><LF> datagram termination have been chosen

**Table 6-7: Specification of the Serial Number datagram**

Byte#	Bit#								Specification
	7	6	5	4	3	2	1	0	
0	0	1	0	1	1	0	1	0	<b>Serial Number datagram identifier:</b> 0x5A for datagrams without CR+LF termination 0x5C for standard datagrams w.CR+LF
1	0	1	0	0	1	1	1	0	ASCII character for letter "N"
2	S1 <sub>3</sub>	S1 <sub>2</sub>	S1 <sub>1</sub>	S1 <sub>0</sub>	S2 <sub>3</sub>	S2 <sub>2</sub>	S2 <sub>1</sub>	S2 <sub>0</sub>	High nibble: 1.digit (BCD) of serial number Low nibble: 2.digit (BCD) of serial number
3	S3 <sub>3</sub>	S3 <sub>2</sub>	S3 <sub>1</sub>	S3 <sub>0</sub>	S4 <sub>3</sub>	S4 <sub>2</sub>	S4 <sub>1</sub>	S4 <sub>0</sub>	High nibble: 3.digit (BCD) of serial number Low nibble: 4.digit (BCD) of serial number
4	S5 <sub>3</sub>	S5 <sub>2</sub>	S5 <sub>1</sub>	S5 <sub>0</sub>	S6 <sub>3</sub>	S6 <sub>2</sub>	S6 <sub>1</sub>	S6 <sub>0</sub>	High nibble: 5.digit (BCD) of serial number Low nibble: 6.digit (BCD) of serial number
5	S7 <sub>3</sub>	S7 <sub>2</sub>	S7 <sub>1</sub>	S7 <sub>0</sub>	S8 <sub>3</sub>	S8 <sub>2</sub>	S8 <sub>1</sub>	S8 <sub>0</sub>	High nibble: 7.digit (BCD) of serial number Low nibble: 8.digit (BCD) of serial number
6	S9 <sub>3</sub>	S9 <sub>2</sub>	S9 <sub>1</sub>	S9 <sub>0</sub>	S10 <sub>3</sub>	S10 <sub>2</sub>	S10 <sub>1</sub>	S10 <sub>0</sub>	High nibble: 9.digit (BCD) of serial number Low nibble: 10.digit (BCD) of serial number
7	S11 <sub>3</sub>	S11 <sub>2</sub>	S11 <sub>1</sub>	S11 <sub>0</sub>	S11 <sub>3</sub>	S11 <sub>2</sub>	S11 <sub>1</sub>	S11 <sub>0</sub>	High nibble: 11.digit (BCD) of serial number Low nibble: 12.digit (BCD) of serial number
8	S13 <sub>3</sub>	S13 <sub>2</sub>	S13 <sub>1</sub>	S13 <sub>0</sub>	S14 <sub>3</sub>	S14 <sub>2</sub>	S14 <sub>1</sub>	S14 <sub>0</sub>	High nibble: 13.digit (BCD) of serial number Low nibble: 14.digit (BCD) of serial number
9	x	x	x	x	x	x	x	x	For future use.
10	x	x	x	x	x	x	x	x	For future use.
11	c <sub>7</sub>	c <sub>6</sub>	c <sub>5</sub>	c <sub>4</sub>	c <sub>3</sub>	c <sub>2</sub>	c <sub>1</sub>	c <sub>0</sub>	Cyclic Redundancy Check is performed on all preceding bytes and is generated from the polynomial: $x^8 + x^2 + x + 1$ , seed = 0xFF
(12)	0	0	0	0	1	1	0	1	<CR> only when <CR><LF> datagram termination have been chosen
(13)	0	0	0	0	1	0	1	0	<LF> only when <CR><LF> datagram termination have been chosen

**Table 6-8: Specification of the Configuration datagram**

Byte#	Bit#								Specification
	7	6	5	4	3	2	1	0	
0	0 0	0 0	1 1	0 0	1 1	0 0	0 1	0 1	<b>Configuration datagram identifier:</b> 0x28 for datagrams without CR+LF termination 0x2B for standard datagrams w.CR+LF
1	r <sub>7</sub>	r <sub>6</sub>	r <sub>5</sub>	r <sub>4</sub>	r <sub>3</sub>	r <sub>2</sub>	r <sub>1</sub>	r <sub>0</sub>	Part number revision. Content of byte represents the ASCII character of the revision. Numbering sequence: "-", "A", "B", ..., "Z"
2	f <sub>7</sub>	f <sub>6</sub>	f <sub>5</sub>	f <sub>4</sub>	f <sub>3</sub>	f <sub>2</sub>	f <sub>1</sub>	f <sub>0</sub>	Firmware revision. Numbering sequence: 0, 1, ..., 255
3	h <sub>7</sub>	h <sub>6</sub>	h <sub>5</sub>	h <sub>4</sub>	h <sub>3</sub>	h <sub>2</sub>	h <sub>1</sub>	h <sub>0</sub>	Hardware revision. Numbering sequence: 0, 1, ..., 255
4	0	x	x	x	x	x	x	x	<b>System configuration, Byte 1:</b> Z axis is inactive
	1	x	x	x	x	x	x	x	Z axis is active
	x	1	0	0	x	x	x	x	LP filter -3dB frequency for Z axis = 262Hz
	x	0	1	1	x	x	x	x	LP filter -3dB frequency for Z axis = 121Hz
	x	0	1	0	x	x	x	x	LP filter -3dB frequency for Z axis = 66Hz
	x	0	0	1	x	x	x	x	LP filter -3dB frequency for Z axis = 33Hz
	x	0	0	0	x	x	x	x	LP filter -3dB frequency for Z axis = 16Hz
	x	x	x	x	0	x	x	x	Y-axis is inactive
	x	x	x	x	1	x	x	x	Y-axis is active
	x	x	x	x	x	1	0	0	LP filter -3dB frequency for Y axis = 262Hz
	x	x	x	x	x	0	1	1	LP filter -3dB frequency for Y axis = 121Hz
	x	x	x	x	x	0	1	0	LP filter -3dB frequency for Y axis = 66Hz
	x	x	x	x	x	0	0	1	LP filter -3dB frequency for Y axis = 33Hz
x	x	x	x	x	0	0	0	LP filter -3dB frequency for Y axis = 16Hz	
5	0	x	x	x	x	x	x	x	<b>System configuration, Byte 2:</b> X-axis is inactive
	1	x	x	x	x	x	x	x	X-axis is active
	x	1	0	0	x	x	x	x	LP filter -3dB frequency for X axis = 262Hz
	x	0	1	1	x	x	x	x	LP filter -3dB frequency for X axis = 121Hz
	x	0	1	0	x	x	x	x	LP filter -3dB frequency for X axis = 66Hz
	x	0	0	1	x	x	x	x	LP filter -3dB frequency for X axis = 33Hz
	x	0	0	0	x	x	x	x	LP filter -3dB frequency for X axis = 16Hz
	x	x	x	x	1	0	1	x	Sample rate = External trigger
	x	x	x	x	1	0	0	x	Sample rate = 2000 samples/s
	x	x	x	x	0	1	1	x	Sample rate = 1000 samples/s
	x	x	x	x	0	1	0	x	Sample rate = 500 samples/s
	x	x	x	x	0	0	1	x	Sample rate = 250 samples/s
	x	x	x	x	0	0	0	x	Sample rate = 125 samples/s
x	x	x	x	x	x	x	0	Output unit = ANGULAR RATE	
x	x	x	x	x	x	x	1	Output unit = other than ANGULAR RATE (ref. byte#8)	
6	0	x	x	x	x	x	x	x	<b>System configuration, Byte 3:</b> Datagram format = STANDARD
	1	x	x	x	x	x	x	x	Datagram format = other than STANDARD (ref. byte#8)
	x	0	1	1	x	x	x	x	Bit rate = 1843200 bits/s
	x	0	1	0	x	x	x	x	Bit rate = 921600 bits/s
	x	0	0	1	x	x	x	x	Bit rate = 460800 bits/s
	x	0	0	0	x	x	x	x	Bit rate = 374400 bits/s
	x	x	x	x	0	x	x	x	Stop bit = 1
	x	x	x	x	1	x	x	x	Stop bits = 2
	x	x	x	x	x	0	0	x	Parity = none
	x	x	x	x	x	0	1	x	Parity = even
	x	x	x	x	x	1	0	x	Parity = odd
	x	x	x	x	x	x	x	0	Line termination = OFF
	x	x	x	x	x	x	x	1	Line termination = ON
7	S <sub>7</sub>	S <sub>6</sub>	S <sub>5</sub>	S <sub>4</sub>	S <sub>3</sub>	S <sub>2</sub>	S <sub>1</sub>	S <sub>0</sub>	STATUS byte. Ref. Table 6-11 for specification of the STATUS byte.
8	0	0	0	0	x	x	x	x	<b>System configuration, Byte 4:</b> Output unit = ANGULAR RATE
	0	0	0	1	x	x	x	x	Output unit = INCREMENTAL ANGLE
	0	0	1	0	x	x	x	x	Output unit = AVERAGE ANGULAR RATE
	0	0	1	1	x	x	x	x	Output unit = INTEGRATED ANGLE
	x	x	x	x	0	0	0	0	Datagram format = Standard
	x	x	x	x	0	0	0	1	Datagram format = Extended
	x	x	x	x	0	0	1	1	Datagram format = Rate and temperature,
	x	x	x	x	0	1	0	0	Datagram format = Rate and counter,
	x	x	x	x	0	1	0	1	Datagram format = Rate and latency
	x	x	x	x	0	1	1	0	Datagram format = Rate, counter and latency
	x	x	x	x	0	1	1	1	Datagram format = Rate, temperature and counter
	x	x	x	x	1	0	0	0	Datagram format = Rate, temperature and latency
	x	x	x	x	1	0	0	1	Datagram format = Rate, temperature, counter and latency
9	x	x	x	x	x	x	x	x	For future use.
10	x	x	x	x	x	x	x	x	For future use.
11	C <sub>7</sub>	C <sub>6</sub>	C <sub>5</sub>	C <sub>4</sub>	C <sub>3</sub>	C <sub>2</sub>	C <sub>1</sub>	C <sub>0</sub>	Cyclic Redundancy Check is performed on all preceding bytes and is generated from the polynomial: $x^8 + x^2 + x + 1$ , seed = 0xFF

Byte#	Bit#								Specification
	7	6	5	4	3	2	1	0	
(12)	0	0	0	0	1	1	0	1	<CR> only when <CR><LF> datagram termination have been chosen
(13)	0	0	0	0	1	0	1	0	<LF> only when <CR><LF> datagram termination have been chosen

**Table 6-9: Specification of the Normal Mode datagram**

Standard datagram	Extended datagram	Rate and temperature	Rate and counter	Rate and latency	Rate, counter and latency	Rate, temperature and counter	Rate, temperature and latency	Rate, temperature, counter and latency	Bit#								Specification		
									7	6	5	4	3	2	1	0			
0	0	0	0	0	0	0	0	0	1	0	0	1	0	0	0	0	0	0	<b>Normal Mode datagram identifier:</b> 0x90 standard datagram 0x92 extended datagram 0xA0 datagram with rate and temperature 0xA2 datagram with rate and counter 0xA4 datagram with rate and latency 0xA5 datagram with rate, counter and latency 0x99 datagram with rate, temperature and counter 0xA6 datagram with rate, temperature and latency 0xA8 datagram with rate, temperature, counter and latency
1	1	1	1	1	1	1	1	1	X <sub>23</sub>	X <sub>22</sub>	X <sub>21</sub>	X <sub>20</sub>	X <sub>19</sub>	X <sub>18</sub>	X <sub>17</sub>	X <sub>16</sub>	X axis gyro output. Ref. chapter 8.4.2.2 for conversion to units		
2	2	2	2	2	2	2	2	2	X <sub>15</sub>	X <sub>14</sub>	X <sub>13</sub>	X <sub>12</sub>	X <sub>11</sub>	X <sub>10</sub>	X <sub>9</sub>	X <sub>8</sub>			
3	3	3	3	3	3	3	3	3	X <sub>7</sub>	X <sub>6</sub>	X <sub>5</sub>	X <sub>4</sub>	X <sub>3</sub>	X <sub>2</sub>	X <sub>1</sub>	X <sub>0</sub>			
4	4	4	4	4	4	4	4	4	Y <sub>23</sub>	Y <sub>22</sub>	Y <sub>21</sub>	Y <sub>20</sub>	Y <sub>19</sub>	Y <sub>18</sub>	Y <sub>17</sub>	Y <sub>16</sub>	Y axis gyro output. Ref. chapter 8.4.2.2 for conversion to units		
5	5	5	5	5	5	5	5	5	Y <sub>15</sub>	Y <sub>14</sub>	Y <sub>13</sub>	Y <sub>12</sub>	Y <sub>11</sub>	Y <sub>10</sub>	Y <sub>9</sub>	Y <sub>8</sub>			
6	6	6	6	6	6	6	6	6	Y <sub>7</sub>	Y <sub>6</sub>	Y <sub>5</sub>	Y <sub>4</sub>	Y <sub>3</sub>	Y <sub>2</sub>	Y <sub>1</sub>	Y <sub>0</sub>			
7	7	7	7	7	7	7	7	7	Z <sub>23</sub>	Z <sub>22</sub>	Z <sub>21</sub>	Z <sub>20</sub>	Z <sub>19</sub>	Z <sub>18</sub>	Z <sub>17</sub>	Z <sub>16</sub>	Z axis gyro output. Ref. chapter 8.4.2.2 for conversion to units		
8	8	8	8	8	8	8	8	8	Z <sub>15</sub>	Z <sub>14</sub>	Z <sub>13</sub>	Z <sub>12</sub>	Z <sub>11</sub>	Z <sub>10</sub>	Z <sub>9</sub>	Z <sub>8</sub>			
9	9	9	9	9	9	9	9	9	Z <sub>7</sub>	Z <sub>6</sub>	Z <sub>5</sub>	Z <sub>4</sub>	Z <sub>3</sub>	Z <sub>2</sub>	Z <sub>1</sub>	Z <sub>0</sub>	STATUS byte. Ref. Table 6-11 for specification of this byte.		
N/A	11	N/A	N/A	N/A	N/A	N/A	N/A	N/A	x	x	x	x	x	x	x	x	For future use.		
N/A	12	N/A	N/A	N/A	N/A	N/A	N/A	N/A	x	x	x	x	x	x	x	x	For future use.		
N/A	13	N/A	N/A	N/A	N/A	N/A	N/A	N/A	x	x	x	x	x	x	x	x	For future use.		
N/A	N/A	11	N/A	N/A	N/A	11	11	11	TX <sub>15</sub>	TX <sub>14</sub>	TX <sub>13</sub>	TX <sub>12</sub>	TX <sub>11</sub>	TX <sub>10</sub>	TX <sub>9</sub>	TX <sub>8</sub>	X axis temperature data. Ref. chapter 8.4.2.5 for conversion to units		
N/A	N/A	12	N/A	N/A	N/A	12	12	12	TX <sub>7</sub>	TX <sub>6</sub>	TX <sub>5</sub>	TX <sub>4</sub>	TX <sub>3</sub>	TX <sub>2</sub>	TX <sub>1</sub>	TX <sub>0</sub>	Y axis temperature data. Ref. chapter 8.4.2.5 for conversion to units		
N/A	N/A	13	N/A	N/A	N/A	13	13	13	Ty <sub>15</sub>	Ty <sub>14</sub>	Ty <sub>13</sub>	Ty <sub>12</sub>	Ty <sub>11</sub>	Ty <sub>10</sub>	Ty <sub>9</sub>	Ty <sub>8</sub>	Z axis temperature data. Ref. chapter 8.4.2.5 for conversion to units		
N/A	N/A	14	N/A	N/A	N/A	14	14	14	Ty <sub>7</sub>	Ty <sub>6</sub>	Ty <sub>5</sub>	Ty <sub>4</sub>	Ty <sub>3</sub>	Ty <sub>2</sub>	Ty <sub>1</sub>	Ty <sub>0</sub>			
N/A	N/A	15	N/A	N/A	N/A	15	15	15	TZ <sub>15</sub>	TZ <sub>14</sub>	TZ <sub>13</sub>	TZ <sub>12</sub>	TZ <sub>11</sub>	TZ <sub>10</sub>	TZ <sub>9</sub>	TZ <sub>8</sub>	Counter. Ref. chapter 8.4.2.2.6		
N/A	N/A	16	N/A	N/A	N/A	16	16	16	TZ <sub>7</sub>	TZ <sub>6</sub>	TZ <sub>5</sub>	TZ <sub>4</sub>	TZ <sub>3</sub>	TZ <sub>2</sub>	TZ <sub>1</sub>	TZ <sub>0</sub>	Latency. Ref. chapter 8.4.2.2.7 for conversion to units.		
N/A	N/A	N/A	11	N/A	11	17	N/A	17	n <sub>7</sub>	n <sub>6</sub>	n <sub>5</sub>	n <sub>4</sub>	n <sub>3</sub>	n <sub>2</sub>	n <sub>1</sub>	n <sub>0</sub>			
N/A	N/A	N/A	N/A	11	12	N/A	17	18	l <sub>15</sub>	l <sub>14</sub>	l <sub>13</sub>	l <sub>12</sub>	l <sub>11</sub>	l <sub>10</sub>	l <sub>9</sub>	l <sub>8</sub>			
N/A	N/A	N/A	N/A	12	13	N/A	18	19	l <sub>7</sub>	l <sub>6</sub>	l <sub>5</sub>	l <sub>4</sub>	l <sub>3</sub>	l <sub>2</sub>	l <sub>1</sub>	l <sub>0</sub>			
11	14	17	12	13	14	18	19	20	C <sub>7</sub>	C <sub>6</sub>	C <sub>5</sub>	C <sub>4</sub>	C <sub>3</sub>	C <sub>2</sub>	C <sub>1</sub>	C <sub>0</sub>	Cyclic Redundancy Check is performed on all preceding bytes and is generated from the polynomial: $x^8 + x^2 + x + 1$ , seed = 0xFF		
(12)	(15)	(18)	(13)	(14)	(15)	(19)	(20)	(21)	0	0	0	0	1	1	0	1	<CR> only when <CR><LF> datagram termination have been chosen		
(13)	(16)	(19)	(14)	(15)	(16)	(20)	(21)	(22)	0	0	0	0	1	0	1	0	<LF> only when <CR><LF> datagram termination have been chosen		

**Table 6-10: Maximum sampling rate**

	<b>374400 bits/s</b>	<b>460800 bits/s</b>	<b>921600 bits/s</b>	<b>1843200 bits/s</b>
<b>Standard datagram</b>	2000	2000	2000	2000
<b>Extended datagram</b>	1000	2000	2000	2000
<b>Rate and temperature</b>	1000	1000	2000	2000
<b>Rate and counter</b>	2000	2000	2000	2000
<b>Rate and latency</b>	1000	2000	2000	2000
<b>Rate, counter and latency</b>	1000	2000	2000	2000
<b>Rate, temperature and counter</b>	1000	1000	2000	2000
<b>Rate, temperature and latency</b>	1000	1000	2000	2000
<b>Rate, temperature, counter and latency</b>	1000	1000	2000	2000

#### 6.4 Status byte

**Table 6-11: Interpretation of bits in STATUS byte**

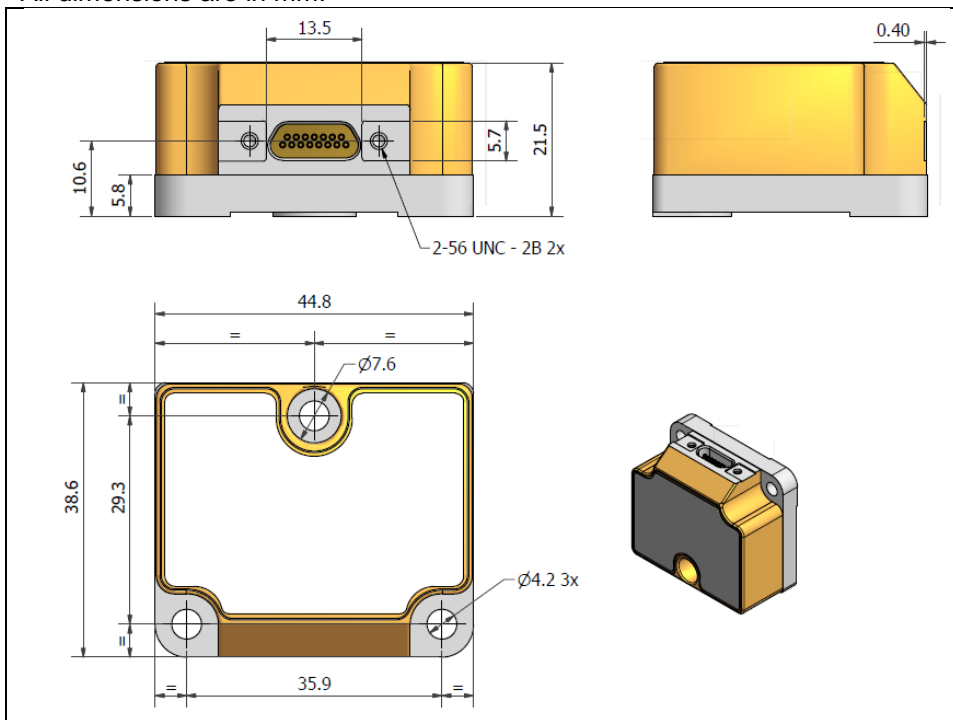
<b>Bit</b>	<b>STATUS bit information</b>	<b>Comment</b>
7	0=OK, 1=System integrity error	Bits 0-2 will flag the overload channel(s) Bits 0-2 will flag the error channel(s)
6	0=OK, 1=Start-Up	
5	0=OK, 1=Outside operating conditions	
4	0=OK, 1=Overload	
3	0=OK, 1=Error in gyro channel	
2	0=OK, 1=Z channel	
1	0=OK, 1=Y channel	
0	0=OK, 1=X channel	

**7 MECHANICAL**
**Table 7-1: Mechanical specifications**

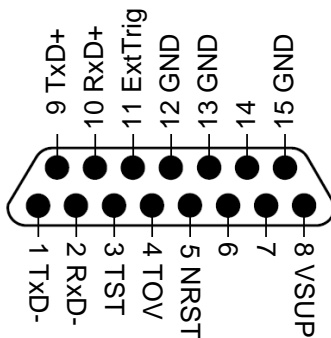
Parameter	Conditions	Min	Nom	Max	Unit	Note
<b>WEIGHT</b>			45		grams	
<b>DUST AND HUMIDITY CLASSIFICATION</b>			IP67			
<b>CONNECTOR</b> Type Number of pins Contact type Contact manufacturer			Micro-D 15 female Axon <sup>®</sup> Cable SAS			
<b>PLUG</b> Proposed plug to fit connector Proposed cover to fit plug	For best EMI performance		Axon MDA 2 15 P Axon micro-D EMI backshell			
<b>FIXATION BOLTS</b>  Recommended torque	Steel base Aluminium base		M4 ISO 4762 / DIN 912 3.5 3.0		Nm Nm	

**7.1 Mechanical dimensions**

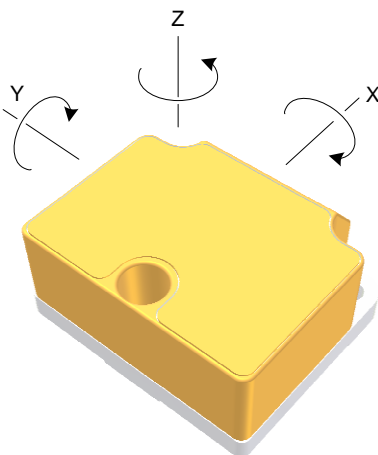
All dimensions are in mm.


**Figure 7-1: Mechanical dimensions**



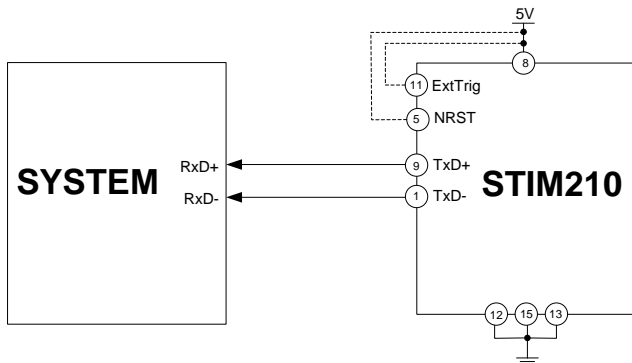
**7.2 Pin configuration**

**Figure 7-2: Pin configuration as seen from front of STIM210**
**Table 7-2: Pin descriptions**

Pin#	Label	Type	Description
1	TxD-	OUTPUT	RS422 negative output
2	RxD-	INPUT	RS422 negative input
3	TST	OUTPUT	Test pin: Do not connect
4	TOV	OUTPUT	Time of Validity (if not in use, leave floating)
5	NRST	INPUT	Reset (if not in use, connect to VSUP or leave floating)
6			Not connected
7			Not connected
8	VSUP	SUPPLY	Power supply (+5V)
9	TxD+	OUTPUT	RS422 positive output
10	RxD+	INPUT	RS422 positive input
11	ExtTrig	INPUT	External trigger (if not in use, connect to VSUP or leave floating)
12	GND	INPUT	Test pin: Connect to ground (0V)
13	GND	INPUT	Test pin: Connect to ground (0V)
14			Not connected
15	GND	SUPPLY	Power ground (0V)

**7.3 Definition of axes**

**Figure 7-3: Definition of axes**

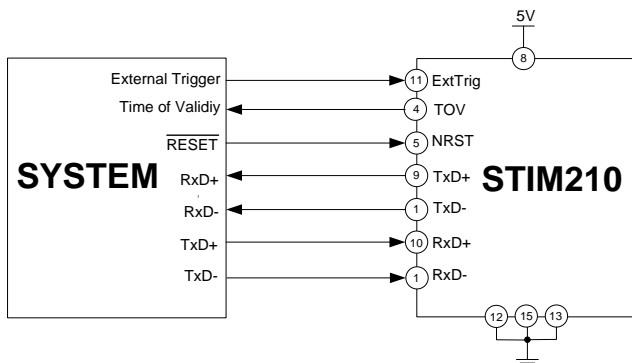
## 8 BASIC OPERATION

STIM210 is very simple to use. Unless having been configured to external trigger, the unit will start performing measurements and transmit the results over the RS422 interface without any need for additional signalling or set-up after power-on. Figure 8-1 shows the simplest connection set-up for STIM210.



**Figure 8-1: Transmit-Only Electrical Connection Diagram**

In order to take full advantage of all features of STIM210, the unit needs to be connected as shown in Figure 8-2. In this set-up the system can reset the unit without having to toggle power, the external trigger function can be utilized, configuration parameters can be changed and extended information like diagnostic information can be read from the device.



**Figure 8-2: Full Function Electrical Connection Diagram**

### 8.1 Reset

STIM210 has a separate reset pin (NRST) in order for the application to reset the unit without having to toggle power.

The reset is active low and has an internal pull-up. Hence the input could be left floating if not in use.

The reset signal is routed to the reset of the microcontroller and effectively forces STIM210 into Init Mode (ref. Figure 8-6 and chapter 8.4.1).

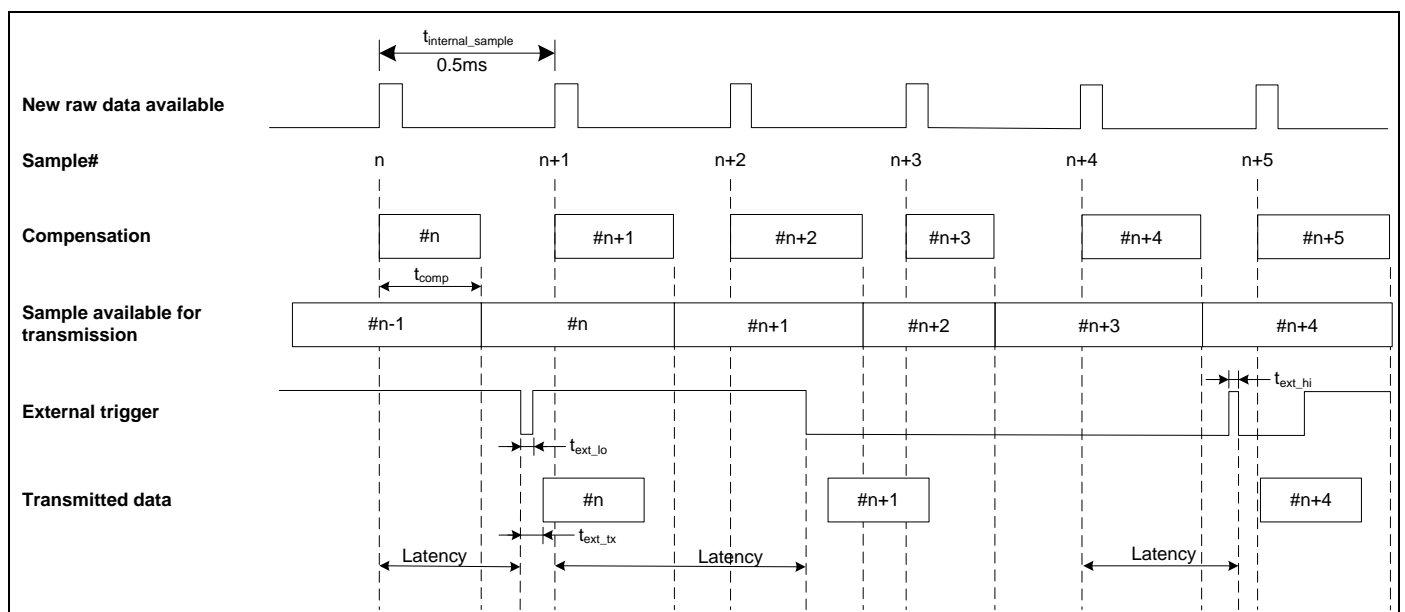
## 8.2 External Trigger

STIM210 has a separate digital input pin to be used when the unit has been configured to transmit only upon external trigger. The measurements themselves will be continuously running at the highest sample rate (2000 samples/s) in order to ensure shortest possible latency when a transmission is requested. The input is set to trigger on the falling edge of the input signal and will then transmit one datagram containing the result of the latest measurement.

The input has an internal pull-up. Hence the input could be left floating if not in use.

Please note that the commands in Normal Mode are active even if the datagram transmission has been configured to transmit only upon external trigger. This means that e.g. if the Normal Mode command “C” is issued over the RS-422 interface, the STIM210 will transmit a Configuration Datagram independent on the external trigger input. Also when STIM210 is in Init Mode (after Power on or Reset), it will transmit the 3 datagrams as described in section 8.4.1.

The timing diagram is shown in Figure 8-3. Latency is the time between the moment at which the sample has been digitized + low pass-filtered and the external trigger.



**Figure 8-3: Timing of external trigger**

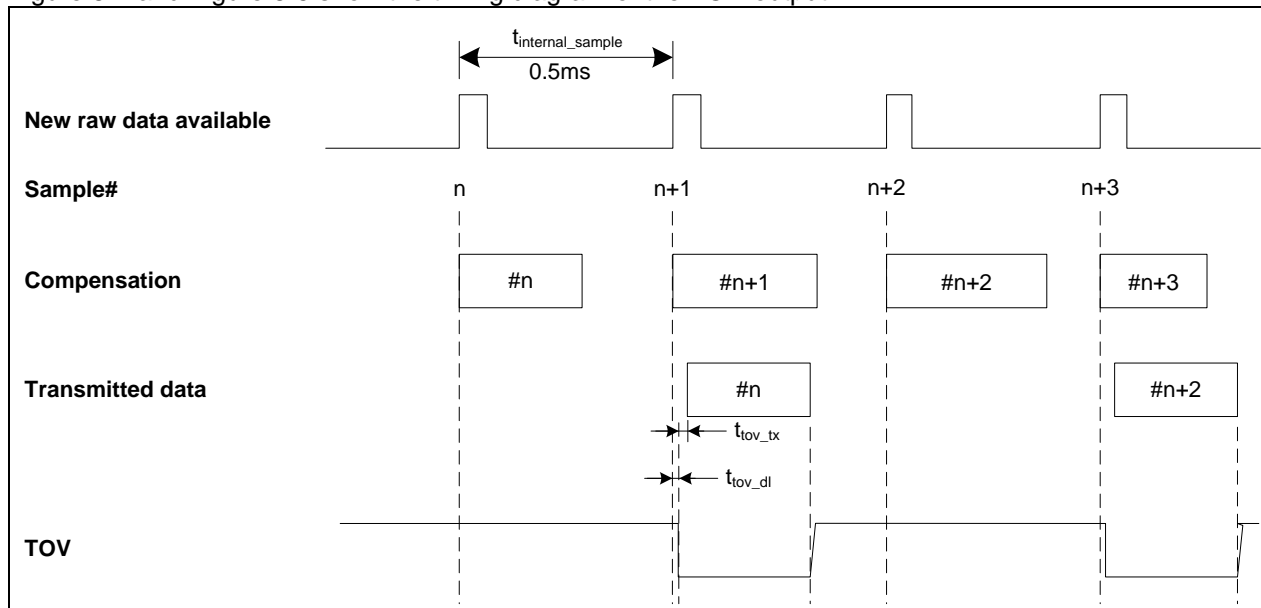
### 8.3 Time of Validity (TOV)

The TOV-output serves 2 purposes:

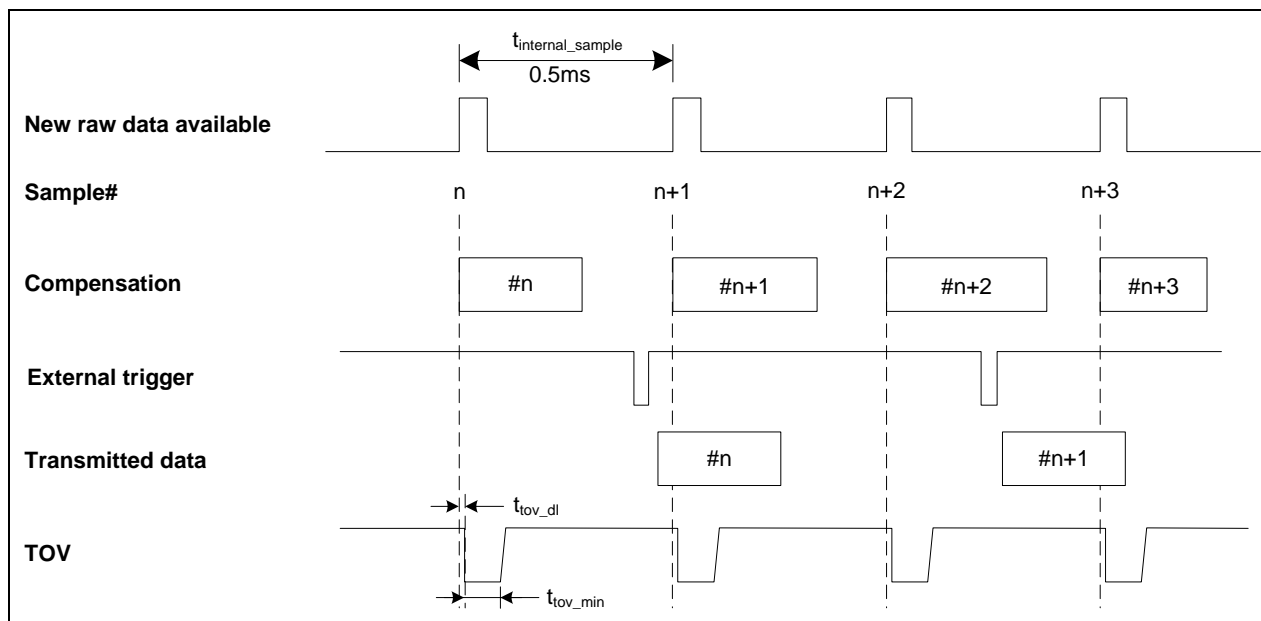
- Provide a synchronisation-signal derived from the internal clock of STIM210
- Provide means to signal when a datagram is being transmitted (NB: not when configured to external trigger)

The TOV falling edge occurs synchronous to the sample rate. The raising edge occurs after the last bit of the datagram has been transmitted.

Figure 8-4 and Figure 8-5 show the timing diagram of the TOV-output.



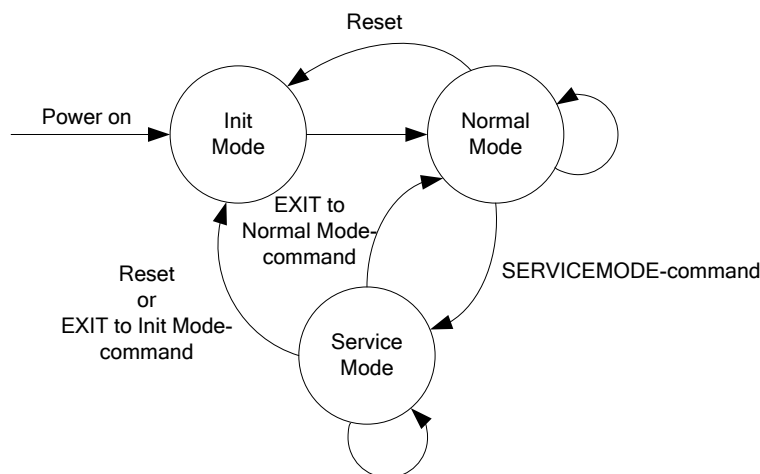
**Figure 8-4: Timing of TOV (example: sampling rate = 1000samples/s)**



**Figure 8-5: Timing of TOV with external trigger**

### 8.4 Operating modes

The operating modes of STIM210 are shown in Figure 8-6:



**Figure 8-6: Operating modes**

#### 8.4.1 Init Mode

Init Mode is entered after the following conditions:

- power on
- after an external reset
- when receiving a reset-command in Normal Mode
- when exiting to Init Mode from Service Mode.

In Init Mode the system waits for internal references to settle, resets and synchronizes the sensor channels and transmits three special datagrams containing part number, serial number and configuration data. Please note that length and format of the special datagrams are different to the datagrams in Normal Mode.

Table 6-6 specifies the sequence and contents of the Part Number datagram.

Table 6-7 specifies the sequence and contents of the Serial Number datagram.

Table 6-8 specifies the sequence and contents of the Configuration datagram.

After having transmitted the special Part Number, Serial Number and Configuration datagrams, STIM210 enters Normal Mode. All these special datagrams can also be requested by commands in Normal Mode, ref. chapter 9.

#### 8.4.2 Normal Mode

In Normal Mode STIM210 will constantly measure the gyro channels at an internal sampling rate of 2000 samples/s and transmit at the chosen sample rate, alternatively when receiving an external trigger. STIM210 will transmit data regardless of any errors reported in the STATUS byte (ref. Table 6-11). Hence the content of the STATUS byte should continuously be examined.

Table 6-9 specifies the sequence and contents of the datagrams transmitted in Normal Mode.

##### 8.4.2.1 Start-Up

When STIM210 enters Normal Mode from Init Mode, there will be a start-up period where STIM210 is stabilizing the gyros. This is a fixed period as specified in Table 6-2 and bit 6 is set in the STATUS byte (ref. Table 6-11) to communicate this condition. During the start-up period STIM210 will continuously sample, compensate and output data. However the data should not be regarded valid until bit 6 in STATUS byte is cleared.

There will not be any start-up period when STIM210 is exiting from Service Mode directly to Normal Mode.

### 8.4.2.2 Converting output to units

Equations in the following sub-chapters show how to convert the output data to units.

#### 8.4.2.2.1 Angular Rate

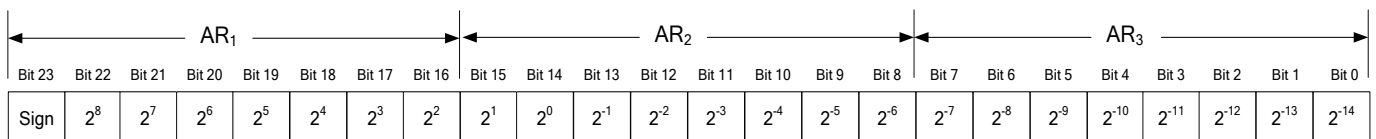
Angular Rate is available in all datagrams when STIM210 has been configured to output angular rate. The transmitted data will be the last internal sample. E.g. in the case of continuous transmission of datagrams and a sampling rate of 250 samples/s, every fourth internally sample will be transmitted.

Equation 1 and Figure 8-7 show how to convert to [°/s]. Note that the output data is represented as two's complement (most significant bit is the sign bit).

#### Equation 1: Converting output to [°/s]:

$$Output[^\circ/s] = \frac{(AR_1) \cdot 2^{16} + (AR_2) \cdot 2^8 + (AR_3)}{2^{14}}$$

where  $AR_1$  is the most significant byte of the 24bit output  
 $AR_2$  is the middle byte of the 24bit output  
 $AR_3$  is the least significant byte of the 24bit output



**Figure 8-7: Converting output bytes to [°/s]**

#### 8.4.2.2.2 Incremental angle

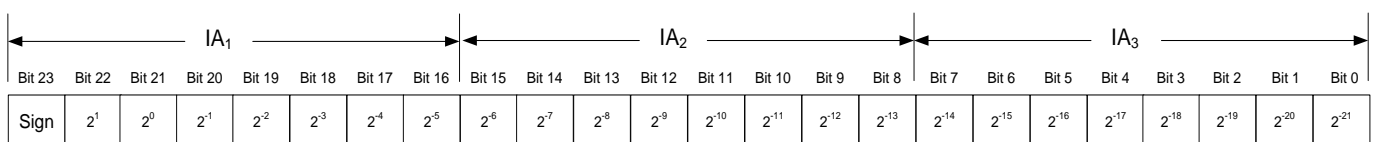
Incremental angle is available in all datagrams when STIM210 has been configured to output incremental angle. The transmitted data will be the integrated angle since last transmitted sample. E.g. in the case of continuous transmission of datagrams and a sampling rate of 250 samples/s, each transmission will contain the integrated angle of four internal samples.

Equation 2 and Figure 8-8 show how to convert to [°/sample]. Note that the output data is represented as two's complement (most significant bit is the sign bit):

#### Equation 2: Converting output to [°/sample]

$$Output[^\circ/sample] = \frac{(IA_1) \cdot 2^{16} + (IA_2) \cdot 2^8 + (IA_3)}{2^{21}}$$

where  $IA_1$  is the most significant byte of the 24bit output  
 $IA_2$  is the middle byte of the 24bit output  
 $IA_3$  is the least significant byte of the 24bit output



**Figure 8-8: Converting output bytes to [°/samples]**

#### 8.4.2.2.3 Average angular rate

Average angular rate is available in all datagrams when STIM210 has been configured to output average angular rate. The transmitted data will be the average of the samples since last transmission. E.g. in the case of continuous transmission of datagrams and a sampling rate of 250 samples/s, each transmission will contain the average of the four internal samples.

Note that the configured low-pass filtering is performed prior to calculating the average.

The average is calculated on the samples using the conventional equation for average calculation:

#### Equation 3: Calculating average:

$$\text{Average Angular Rate} [^{\circ}/s] = \frac{\sum_{m=1..n} \text{Angular Rate}_m}{n}$$

where  $\text{Angular Rate}_m$  is one angular rate data sampled at 1000 samples/s  
 $n$  is number of samples since last transmission

Conversion to [ $^{\circ}$ /s] is the same as for angular rate and is described in Equation 1.

#### 8.4.2.2.4 Integrated angle

Integrated angle is available in all datagrams when STIM210 has been configured to output integrated angle. The transmitted data will be continuously integrated angle since power-on or reset. The integrated angle takes values in the interval  $[-4^{\circ}, 4^{\circ}]$  and will naturally wrap around with no error message indication in the Status byte.

Conversion to [ $^{\circ}$ ] is the same as for incremental angle and is described in Equation 2.

#### 8.4.2.2.5 Temperature

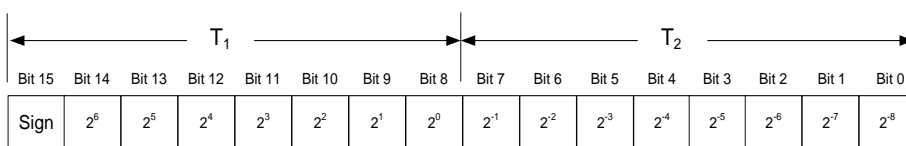
Temperature data for each axis is available in certain datagrams (ref. chapter 12).

Equation 4 and Figure 8-9 show how to convert to [ $^{\circ}$ C]. Note that the output data is represented as two's complement (most significant bit is the sign bit):

#### Equation 4: Converting temperature data to [ $^{\circ}$ C]

$$\text{Output} [^{\circ}\text{C}] = \frac{(T_1) \cdot 2^8 + (T_2)}{2^8}$$

where  $T_1$  is the most significant byte of the 16bit output  
 $T_2$  is the least significant byte of the 16bit output



**Figure 8-9: Converting temperature data to [ $^{\circ}$ C]**

#### 8.4.2.2.6 Counter

A counter is available in certain datagrams (ref. chapter 12). The counter is an unsigned single byte taking values in the interval  $[0, 255]$ .

For the output units Incremental Angle and Average Angular Rate, the counter contains the number of internal samples being represented by the output data.

For the output units Angular Rate and Integrated Angle, the counter will increment by 1 per internal sample. The counter will naturally wrap around with no error message indication in the Status byte.

### 8.4.2.2.7 Latency

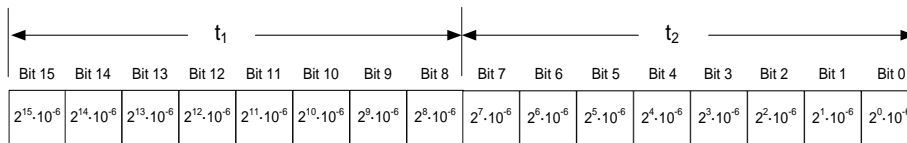
Latency is available in certain datagrams (ref. chapter 12) with external trigger. Latency is an unsigned word taking values in the interval [0 , 65535]  $\mu$ s.

Equation 5 and Figure 8-10 show how to convert to [seconds]:

#### Equation 5: Converting latency data to [seconds]

$$Output[seconds] = ((t_1) \cdot 2^8 + (t_2)) \cdot 10^{-6}$$

where  $t_1$  is the most significant byte of the 16bit output  
 $t_2$  is the least significant byte of the 16bit output



**Figure 8-10: Converting latency data to [seconds]**



### 8.4.3 Service Mode

The communication interface has been designed to be human-readable in Service Mode. This can for example be of great help in the development phase when the device needs to be re-configured during investigations into an observed problem, for example in combination with terminal based software.

When Service Mode is entered, STIM210 will respond with its configuration information (same as the response to the `i` (INFORMATION) command, ref: Figure 10-1).

A set of commands are available, ref. Chapter 10, enabling the user to change intermediately or permanently the configuration parameters, display latest measurement results, display higher details on error information and perform a full diagnostic of the unit.

In Service Mode the gyro measurements will still be running in the background, enabling to switch directly back to Normal Mode without the need for any stabilisation time of filters, etc. However the measurement data itself, when STIM210 is in Service Mode are not transmitted and therefore lost. By using the `a` (SINGLE-SHOT MEASUREMENT) command (ref. Chapter 10.2) it is possible to display single measurement results.

Exiting Service Mode can be done in several ways:

1. Using the external reset. This will force STIM210 into Init Mode. Be advised that during Init Mode, all the configuration parameters are loaded from flash. If any of the configuration parameters have been changed during the Service Mode session but not saved to flash, these changes will be overwritten by the content already stored in flash.
2. Using the `x` (EXIT) command. When using this command a parameter is required to decide whether the device should go to Init Mode or to Normal Mode. When exiting to Normal Mode, any of the changes made to the configuration parameters will still be valid. However, if not saved, the configuration parameters will be overwritten by the content already stored in flash at the next power-up or reset.

### 8.5 Self diagnostics

STIM210 is constantly checking its internal status. The checks include:

- Check of internal references
- Check of gyros (error and overload)
- Check of internal temperatures
- Check of RAM and flash
- Check of supply voltage

When an error situation is detected, the corresponding bit in the STATUS byte (ref. Table 6-11) will be set.

The bits in the STATUS are valid for the data in a single transmission. Hence any error condition is not latched.

In Service Mode it is possible to see the last detected error by using the `ie` (INFORMATION on LAST ERROR IN NORMAL MODE) command, ref. Chapter 10.1 or run a full diagnostic and see the result of the individual checks by using the `c` (DIAGNOSTIC) command, ref. Chapter 10.3.

### 9 COMMANDS IN NORMAL MODE

Several commands are available in Normal Mode, as listed in Table 9-1. Note that all commands in Normal Mode must be transmitted in upper case letters.

**Table 9-1 Available commands in Normal Mode**

Command	Short description
N	Transmits one Part Number datagram
I	Transmits one Serial Number datagram
C	Transmits one Configuration datagram
R	Resets the unit
SERVICEMODE	Enters Service Mode

**Table 9-2 List of special ASCII characters used in Normal Mode**

Char	Hex	Dec	Short description
<CR>	0x0D	13	“Carriage Return”: used as execution character for commands

No echo of received command characters nor error messages will appear for these commands. Only at the receipt of the complete correct command, STIM210 executes accordingly.

NB: if OUTPUT UNIT is set to INCREMENTAL ANGLE (ref. Chapter 10.7), the transmitted incremented angle in the datagram following any of the requested special datagrams will NOT contain the incremental angle since the last transmitted measurement. Hence the incremented angle occurring during the transmission of a special requested datagram will be lost.

#### 9.1 N (PART NUMBER DATAGRAM) command

General description: Requests transmission of a Part Number datagram (ref. Table 6-6).

**Table 9-3 : Available I (PART NUMBER DATAGRAM) command**

Syntax	Response
N<CR>	Transmits one Part Number datagram

The Part Number datagram will replace the next transmitted Normal Mode datagram.

#### 9.2 I (SERIAL NUMBER DATAGRAM) command

General description: Requests transmission of a Serial number datagram (ref. Table 6-7).

**Table 9-4 : Available I (SERIAL NUMBER DATAGRAM) command**

Syntax	Response
I<CR>	Transmits one Serial Number datagram

The Serial Number datagram will replace the next transmitted Normal Mode datagram.

#### 9.3 C (CONFIGURATION DATAGRAM) command

General description: Requests transmission of a configuration datagram (ref. Table 6-8).

**Table 9-5: Available C (CONFIGURATION DATAGRAM) command**

Syntax	Response
C<CR>	Transmits one Configuration datagram

The Configuration datagram will replace the next transmitted Normal Mode datagram.

### 9.4 R (RESET) command

General description: Force a Reset (ref. Figure 8-6).

**Table 9-6: Available R (RESET) command**

Syntax	Response
R<CR>	Resets the unit

### 9.5 SERVICEMODE command

General description : Enters Service Mode (ref. chapter 8.4.2.2).

**Table 9-7: Available SERVICEMODE command**

Syntax	Response
SERVICEMODE<CR>	Enters Service Mode

If the command is received during the transmission of a datagram, it will complete the transmission before entering Service Mode.

When entering Service Mode, the configuration and identification data of the device will be listed, as shown in Figure 9-1:

```

SERIAL NUMBER = N25580846002002
PRODUCT = STIM210XZ
PART NUMBER = 84192-1034-0121 REV D
HW CONFIG = M5432 REV 5
FW CONFIG = SWD11860 REV 0
OUTPUT UNIT = [°/sample] – INCREMENTAL ANGLE
SAMPLE RATE [samples/s] = 1000
LP FILTER -3dB FREQUENCY, X-AXIS [Hz] = 262
LP FILTER -3dB FREQUENCY, Y-AXIS [Hz] = NA
LP FILTER -3dB FREQUENCY, Z-AXIS [Hz] = 262
DATAGRAM FORMAT = STANDARD
DATAGRAM TERMINATION = NONE
BIT RATE [bps] = 374400
DATA LENGTH = 8
STOP BITS = 1
PARITY = EVEN
LINE TERMINATION = ON

>
    
```

**Figure 9-1: Example of response from SERVICEMODE command**

### 10 COMMANDS IN SERVICE MODE

Several commands are available in Service Mode, as listed in Table 10-1. Note that all commands in Service Mode must be transmitted in lower case letters.

**Table 10-1 Available commands in Service Mode**

Command	Short description
i	Lists specific information (e.g. serial number, configuration, error information)
a	Performs a single-shot measurement
c	Performs a diagnostic of the unit
d	Changes datagram format
t	Changes transmission parameters (e.g. bit rate, data length, stop bits)
r	Changes line termination and datagram termination
u	Changes measurement output unit
f	Changes LP filter -3dB frequency
m	Changes sample rate
s	Saves configuration data
x	Exits Service Mode and returns to Normal Mode or Init Mode
z	Restore to factory settings
?	Help function on the available commands in Service Mode

**Table 10-2 List of special ASCII characters used in Service Mode**

Char	Hex	Dec	Short description
<BS>	0x08	8	"Back Space": deletes last received character (received since last <CR>)
<CR>	0x0D	13	"Carriage Return": typically used as execution character for commands
<SP>	0x20	32	"Space": used to separate command and first parameter
'>	0x2C	44	"Comma": used to separate parameters in a command
'>	0x3E	62	Used together with <CR> as: "Ready to receive new command" prompt

When STIM210 is in Service Mode and ready to receive a new command, it will issue the special ASCII character <CR> followed by '>'. As some commands (e.g. SINGLE-SHOT MEASUREMENT command) may respond with a varying number of lines, automated set-ups should look for the special prompt sequence (<CR>'+>') before issuing a new command.

Received characters will be echoed. A command is decoded and executed when receiving the special ASCII character <CR>. <BS> is also recognised and will delete the last received character in the input buffer. The size of the input buffer is 80 characters. <BS> is valid for the characters received since last <CR>.

The command character and first parameter (when applicable) are separated by a space (character 0x20). When there are more than one parameter to a command (e.g. TRANSMISSION PARAMETER command), these must be separated by a comma (character 0x2C).

In the event of an unknown command, inconsistent syntax or incorrect value of parameter(s), STIM210 will respond with an error message. Error messages are on the format:

E<nnn><SP><Error description><CR>

where nnn is an error number

### 10.1 i (INFORMATION) command

General description: Lists various requested information about the device

**Table 10-3 : Available i (INFORMATION) commands**

Syntax	Response
i<CR>	Lists the product configuration and identification data
i<SP><cmd><CR>	Gives information about the specific parameter

**Table 10-4 : Allowed values for <cmd> parameter for i (INFORMATION) commands**

<cmd>	Result
s	Returns the serial number of the device
n	Returns the product name of the device
x	Returns the part number of the device
h	Returns the HW configuration and revision of the device
p	Returns the FW configuration and revision of the device
m	Returns the sample rate of the device
f	Returns the LP filter -3dB frequency for each axis
d	Returns the datagram format
t	Returns the transmission parameters of the device
r	Returns the line termination and datagram termination
u	Returns the output unit of the device
e	Prints the extended error information from the last detected error in Normal Mode

**Table 10-5: Error messages for i (INFORMATION) commands**

Error	Message	Possible reason
E001	UNKOWN COMMAND	Command or parameter is not recognised
E002	INCORRECT NUMBER OF PARAMETERS	Too many or too few parameters, use of comma between command and first parameter

```

>i
SERIAL NUMBER = N25580846002002
PRODUCT = STIM210XZ
PART NUMBER = 84192-1034-0121 REV D
HW CONFIG = M5432 REV 5
FW CONFIG = SWD11860 REV 0
OUTPUT UNIT = [°/sample] – INCREMENTAL ANGLE
SAMPLE RATE [samples/s] = 1000
LP FILTER -3dB FREQUENCY, X-AXIS [Hz] = 262
LP FILTER -3dB FREQUENCY, Y-AXIS [Hz] = NA
LP FILTER -3dB FREQUENCY, Z-AXIS [Hz] = 262
DATAGRAM FORMAT = STANDARD
DATAGRAM TERMINATION = NONE
BIT RATE [bps] = 374400
DATA LENGTH = 8
STOP BITS = 1
PARITY = EVEN
LINE TERMINATION = ON
>

```

**Figure 10-1: Example of response from i (INFORMATION) command**

```

>i s
SERIAL NUMBER = N25580846002002
>

```

**Figure 10-2: Example of response from i s (INFORMATION on SERIAL NUMBER) command**

```
>i n
PRODUCT = STIM210XZ
>
```

**Figure 10-3: Example of response from i n (INFORMATION on PRODUCT NAME) command**

```
>i x
PART NUMBER = 84192-1034-0121 REV D
>
```

**Figure 10-4: Example of response from i x (INFORMATION on PART NUMBER) command**

```
>i h
HW CONFIG = M5432 REV 5
>
```

**Figure 10-5: Example of response from i h (INFORMATION on HW CONFIGURATION) command**

```
>i p
FW CONFIG = SWD11860 REV 0
>
```

**Figure 10-6: Example of response from i p (INFORMATION on FW CONFIGURATION) command**

```
>i m
SAMPLE RATE [samples/s] = 1000
>
```

**Figure 10-7: Example of response from i m (INFORMATION on SAMPLE RATE) command**

```
>i f
LP FILTER -3dB FREQUENCY, X-AXIS [Hz] = 262
LP FILTER -3dB FREQUENCY, Y-AXIS [Hz] = NA
LP FILTER -3dB FREQUENCY, Z-AXIS [Hz] = 262
>
```

**Figure 10-8: Example of response from i f (INFORMATION on LP FILTER -3dB FREQUENCY) command**

```
>i d
DATAGRAM FORMAT = STANDARD
>
```

**Figure 10-9: Example of response from i d (INFORMATION on DATAGRAM CONTENT) command**

```
>i t
BIT RATE [bps] = 374400
DATA LENGTH = 8
STOP BITS = 1
PARITY = EVEN
>
```

**Figure 10-10: Example of response from i t (INFORMATION on TRANSMISSION PARAMETERS) command**

```
>i r  
LINE TERMINATION = ON  
DATAGRAM TERMINATION = NONE  
  
>
```

**Figure 10-11: Example of response from i r (INFORMATION) command**

```
>i u  
OUTPUT UNIT = [°/sample] – INCREMENTAL ANGLE  
  
>
```

**Figure 10-12: Example of response from i u (INFORMATION on OUTPUT UNIT) command**

```
>i e  
GYRO X-AXIS I-CH OVERFLOW = FAILED  
  
>
```

**Figure 10-13: Example of response from i e (INFORMATION on LAST ERROR IN NORMAL MODE) command**

**10.2 a (SINGLE-SHOT MEASUREMENT) command**

General description: Displays the result of latest measurement (measurement process running constantly in the background).

If sampling rate has been set to external trigger, the SINGLE-SHOT MEASUREMENT will respond to the measurement result at the latest trigger. Hence if no trigger is received, the command will respond with the same data if sent multiple times.

**Table 10-6: Available a (SINGLE-SHOT MEASUREMENT) command**

Syntax	Response
a<CR>	Displays the result of the latest measurement sample

**Table 10-7: Error messages for a (SINGLE-SHOT MEASUREMENT) command**

Error	Message	Possible reason
E001	UNKOWN COMMAND	Command is incorrectly entered
E002	INCORRECT NUMBER OF PARAMETERS	Any characters between command and <CR>

```
>a
X-AXIS = 1.43255°/s
Y-AXIS = NA
Z-AXIS = 243.33667°/s
STATUS = 00000000 = OK
>
```

**Figure 10-14: Example of response from a (SINGLE-SHOT MEASUREMENT) command**

```
>a
X-AXIS = 0.000716275°
Y-AXIS = NA
Z-AXIS = 0.121668335°
STATUS = 00100101 = NOT OK
BIT 5: OUTSIDE OPERATING CONDITIONS
BIT 2: ERROR IN Z-CHANNEL
BIT 0: ERROR IN X-CHANNEL
>
```

**Figure 10-15: Example of response from a (SINGLE-SHOT MEASUREMENT) command with error flagging**



### 10.3 c (DIAGNOSTIC) command

General description: Performs a diagnostic of the unit.

**Table 10-8: Available c (DIAGNOSTIC) command**

Syntax	Response
c<CR>	Performs a diagnostic check

**Table 10-9: Error messages for c (DIAGNOSTIC) command**

Error	Message	Possible reason
E001	UNKOWN COMMAND	Command is incorrectly entered
E002	INCORRECT NUMBER OF PARAMETERS	Any characters between command and <CR>

```
>c
SERIAL NUMBER = N25581025644346
PRODUCT = STIM210XZ
PART NUMBER = 84192-1034-0121 REV D
HW CONFIG = M5432 REV 5
FW CONFIG = SWD11860 REV 0
SYSTEM STATUS:
RAM CHECK = OK
FLASH CHECK = OK
STACK STATUS MONITOR = OK
STACK COMMAND HANDLER = OK
STACK SAMPLE = OK
STACK FLASH = OK
MICRO CONTROLLER TEMPERATURE = OK
VOLTAGE SUPPLIES:
REFERENCE VOLTAGE 5.0V = OK
REFERENCE VOLTAGE 2.5V = OK
REFERENCE VOLTAGE 2.048V = OK
REGULATED VOLTAGE 5.0V = OK
REGULATED VOLTAGE 1.8V = OK
INPUT VOLTAGE 5.0V = OK
VOLTAGE BOOST = OK
GYRO X-AXIS:
GYRO X-AXIS Data Ready = OK
GYRO X-AXIS EXC.FREQ = OK
GYRO X-AXIS ASIC TEMP = OK
GYRO X-AXIS SENSOR TEMP = OK
GYRO X-AXIS COMPENSATED RATE SIGNAL = OK
GYRO X-AXIS DASIC COMMUNICATION = OK
GYRO X-AXIS Q-CH RANGE = OK
GYRO X-AXIS I-CH RANGE = OK
GYRO X-AXIS DET. DC = OK
GYRO X-AXIS EXC. DC = OK
GYRO X-AXIS SPI = OK
GYRO X-AXIS EXC.AMPL = OK
GYRO X-AXIS OVERRUN = OK
GYRO X-AXIS DAC = OK
GYRO Z-AXIS:
GYRO Z-AXIS Data Ready = OK
GYRO Z-AXIS EXC.FREQ = OK
GYRO Z-AXIS ASIC TEMP = OK
GYRO Z-AXIS SENSOR TEMP = OK
GYRO Z-AXIS COMPENSATED RATE SIGNAL = OK
GYRO Z-AXIS DASIC COMMUNICATION = OK
GYRO Z-AXIS Q-CH RANGE = OK
GYRO Z-AXIS I-CH RANGE = OK
GYRO Z-AXIS DET. DC = OK
GYRO Z-AXIS EXC. DC = OK
GYRO Z-AXIS SPI = OK
GYRO Z-AXIS EXC.AMPL = OK
GYRO Z-AXIS OVERRUN = OK
GYRO Z-AXIS DAC = OK
>
```

Figure 10-16: Example of response from c (DIAGNOSTIC) command

### 10.4 d (DATAGRAM FORMAT) command

General description: Changes the datagram format in Normal Mode (ref. Table 6-9).

**Table 10-10 : Available d (DATAGRAM FORMAT) command**

Syntax	Response
d<SP><d_format><CR>	Changes the datagram format in Normal Mode

**Table 10-11 : Allowed values for d (DATAGRAM FORMAT) command**

<d_format>	Result
s	Changes the datagram format in Normal Mode to standard format
e	Changes the datagram format in Normal Mode to extended format
j	Changes the datagram format in Normal Mode to rate and temperature
k	Changes the datagram format in Normal Mode to rate and counter
l	Changes the datagram format in Normal Mode to rate and latency
m	Changes the datagram format in Normal Mode to rate, counter and latency
n	Changes the datagram format in Normal Mode to rate, temperature and counter
o	Changes the datagram format in Normal Mode to rate, temperature and latency
p	Changes the datagram format in Normal Mode to rate, temperature, counter and latency

**Table 10-12: Error messages for d (DATAGRAM FORMAT) command**

Error	Message	Possible reason
E001	UNKOWN COMMAND	Command is incorrectly entered
E002	INCORRECT NUMBER OF PARAMETERS	Too many or too few parameters, use of comma between command and first parameter
E003	INVALID PARAMETER	Value of parameter outside valid range

```
>d s
DATAGRAM FORMAT = STANDARD
>
```

**Figure 10-17: Example of response from d s (DATAGRAM FORMAT) command**

```
>d e
DATAGRAM FORMAT = EXTENDED
>
```

**Figure 10-18: Example of response from d e (DATATGRAM FORMAT) command**

```
>d m
DATAGRAM FORMAT = RATE, COUNTER AND LATENCY
>
```

**Figure 10-19: Example of response from d m (DATATGRAM FORMAT) command**

### 10.5 t (TRANSMISSION PARAMETERS) command

General description: Changes the transmission parameters for the RS422 interface.

**Table 10-13 : Available t (TRANSMISSION PARAMETERS) commands**

Syntax	Response
t<SP><bit rate><CR>	Changes the transmission bit rate and leaves number of stop bits and parity unchanged
t<SP><bit rate>','<stop bits>','<parity><CR>	Changes the transmission bit rate, number of stop bits and parity

**Table 10-14: Allowed values for <bit rate> parameter for t (TRANSMISSION PARAMETERS) commands**

<bit rate>	Result
374400	Will set the bit rate to 374400 bits/s
460800	Will set the bit rate to 460800 bits/s
921600	Will set the bit rate to 921600 bits/s
1843200	Will set the bit rate to 1843200 bits/s

**Table 10-15: Allowed values for <stop bits> parameter for t (TRANSMISSION PARAMETERS) commands**

<stop bits>	Result
1	Will set number of stop bits to 1
2	Will set number of stop bits to 2

**Table 10-16: Allowed values for <parity> parameter for t (TRANSMISSION PARAMETERS) commands**

<stop bits>	Result
n	Will set no parity
e	Will set even parity
o	Will set odd parity

**Table 10-17: Error messages for t (TRANSMISSION PARAMETERS) commands**

Error	Message	Possible reason
E001	UNKOWN COMMAND	Command is incorrectly entered
E002	INCORRECT NUMBER OF PARAMETERS	Too many or too few parameters, use of comma between command and first parameter
E003	INVALID PARAMETER	Value of parameter outside valid range

```
>t 460800,2,e
TRANSMISSION PROTOCOL = 460800 bits/s, 2 STOP BIT(S), EVEN PARITY
>
```

**Figure 10-20: Example of response from t (TRANSMISSION PARAMETERS) command**

Transmission parameters will change after the response as shown in Figure 10-20 has been given.

### 10.6 r (TERMINATION) command

General description: Changes the line termination and datagram termination. Line termination should be ON when communicating point-to-point (single master – single slave).

**Table 10-18: Available r (TERMINATION) command**

Syntax	Response
r<SP><term><CR>	Changes the line termination and datagram termination

**Table 10-19: Allowed values for r (TERMINATION) command**

<term>	Result
0	Turns line termination = OFF, datagram termination = none
1	Turns line termination = ON, datagram termination = none
2	Turns line termination = OFF, datagram termination = <CR><LF>
3	Turns line termination = ON, datagram termination = <CR><LF>

**Table 10-20: Error messages for r (TERMINATION) command**

Error	Message	Possible reason
E001	UNKOWN COMMAND	Command is incorrectly entered
E002	INCORRECT NUMBER OF PARAMETERS	Too many or too few parameters, use of comma between command and first parameter
E003	INVALID PARAMETER	Value of parameter outside valid range

```
>r 0
LINE TERMINATION = OFF
DATAGRAM TERMINATION = NONE
>
```

**Figure 10-21: Example of response from r 0 (TERMINATION) command**

```
>r 3
LINE TERMINATION = ON
DATAGRAM TERMINATION = <CR><LF>
>
```

**Figure 10-22: Example of response from r 3 (TERMINATION) command**

### 10.7 u (OUTPUT UNIT) command

General description: Sets the unit of the transmission in Normal Mode to angular rate or incremental angle.

**Table 10-21: Available u (OUTPUT UNIT) command**

Syntax	Response
u<SP><outunit><CR>	Changes the unit of the transmission in Normal Mode

**Table 10-22: Allowed values for <outunit> for u (OUTPUT UNIT) command**

<outunit>	Result
a	Changes the unit of the transmission in Normal Mode to angular rate [°/s]
i	Changes the unit of the transmission in Normal Mode to incremental angle [°/sample]
m	Changes the unit of the transmission in Normal Mode to average angular rate [°/s]
s	Changes the unit of the transmission in Normal Mode to integrated angle [°]

**Table 10-23: Error messages for u (OUTPUT UNIT) command**

Error	Message	Possible reason
E001	UNKOWN COMMAND	Command is incorrectly entered
E002	INCORRECT NUMBER OF PARAMETERS	Too many or too few parameters, use of comma between command and first parameter
E003	INVALID PARAMETER	Value of parameter outside valid range

```
>u a
OUTPUT UNIT = [°/s] – ANGULAR RATE
>
```

**Figure 10-23: Example of response from u a (OUTPUT UNIT) command**

```
>u i
OUTPUT UNIT = [°/sample] – INCREMENTAL ANGLE
>
```

**Figure 10-24: Example of response from u i (OUTPUT UNIT) command**

```
>u m
OUTPUT UNIT = [°/s] – AVERAGE ANGULAR RATE
>
```

**Figure 10-25: Example of response from u m (OUTPUT UNIT) command**

```
>u s
OUTPUT UNIT = [°] – INTEGRATED ANGLE
>
```

**Figure 10-26: Example of response from u s (OUTPUT UNIT) command**

### 10.8 f (LP FILTER -3dB FREQUENCY) command

General description: Changes the low-pass filter -3dB frequency for one or all axes.

Note that filter settings should be considered together with the sample rate in order to avoid issues with folding due to undersampling. No warnings will be issued by STIM210 if e.g. a high filter bandwidth and a low sampling rate have been chosen. Also note that change in filter setting will change the group delay, ref. Table 6-5.

**Table 10-24: Available f (LP FILTER -3dB FREQUENCY) commands**

Syntax	Response
f<SP><-3dBfreq><CR>	Changes the LP filter -3dB frequency for all axes
f<SP><-3dBfreq>','<axis><CR>	Changes the LP filter -3dB frequency for a specified axis

**Table 10-25: Allowed values for <-3dBfreq> parameter for f (LP FILTER -3dB FREQUENCY) commands**

<-3dBfreq>	Result
16	Will change LP filter -3dB frequency to 16Hz
33	Will change LP filter -3dB frequency to 33Hz
66	Will change LP filter -3dB frequency to 66Hz
131	Will change LP filter -3dB frequency to 131Hz
262	Will change LP filter -3dB frequency to 262Hz

**Table 10-26: Allowed values for <axis> parameter for f (LP FILTER -3dB FREQUENCY) commands**

<axis>	Result
x	Will change LP filter -3dB frequency for X-axis only
y	Will change LP filter -3dB frequency for Y-axis only
z	Will change LP filter -3dB frequency for Z-axis only

**Table 10-27: Error messages for f (LP FILTER -3dB FREQUENCY) commands**

Error	Message	Possible reason
E001	UNKOWN COMMAND	Command is incorrectly entered
E002	INCORRECT NUMBER OF PARAMETERS	Too many or too few parameters, use of comma between command and first parameter
E003	INVALID PARAMETER	Value of parameter outside valid range

```
>f 66,x
LP FILTER -3dB FREQUENCY = 66 Hz FOR X-AXIS
>
```

**Figure 10-27: Example of response from f (LP FILTER -3dB FREQUENCY) command**

```
>f 131
LP FILTER -3dB FREQUENCY = 131 Hz FOR ALL AXES
>
```

**Figure 10-28: Example of response from f (LP FILTER -3dB FREQUENCY) command**

**10.9 m (SAMPLE RATE) command**

General description: Changes the sample rate in Normal Mode. The sample rate is the same for all gyro channels.

Note that sample rate should be considered together with filter settings in order to avoid issues with folding due to undersampling. No warnings will be issued by STIM210 if e.g. a high filter bandwidth and a low sampling rate have been chosen.

**Table 10-28: Available m (SAMPLE RATE) command**

Syntax	Response
m<SP><sampl.freq><CR>	Changes the sample rate in Normal Mode

**Table 10-29: Allowed values for <sampl.freq> parameter for m (SAMPLE RATE) command**

<sampl.freq>	Result
125	Will set sample rate to 125 samples /second
250	Will set sample rate to 250 samples /second
500	Will set sample rate to 500 samples /second
1000	Will set sample rate to 1000 samples /second
2000	Will set sample rate to 2000 samples /second
0	Enables External Trigger

**Table 10-30: Error messages for m (SAMPLE RATE) command**

Error	Message	Possible reason
E001	UNKOWN COMMAND	Command is incorrectly entered
E002	INCORRECT NUMBER OF PARAMETERS	Too many or too few parameters, use of comma between command and first parameter
E003	INVALID PARAMETER	Value of parameter outside valid range

```
>m 500
SAMPLE RATE = 500 samples/s
>
```

**Figure 10-29: Example of response from m (SAMPLE RATE) command**

```
>m 0
SAMPLE RATE = EXTERNAL TRIGGER
>
```

**Figure 10-30: Example of response from m (SAMPLE RATE) command**



### 10.10 s (SAVE) command

General description: Saves configuration parameters to flash. This will permanently change the configuration parameters and hence be valid after an initialisation or power-off.

The flash used in STIM210 is specified to be capable of minimum 1000 saves. A save-counter has been implemented and when the number of saves exceeds 1000, there will be issued a warning. STIM210 will always attempt to save the configuration when receiving the s (SAVE) command regardless of the content of the save-counter.

**Table 10-31: Available s (SAVE) command**

Syntax	Response
s<CR>	Saves system parameters to flash. This command will require a confirmation prior to execution. Confirmation to be responded in upper case letter.

**Table 10-32: Error messages for s (SAVE) command**

Error	Message	Possible reason
E001	UNKOWN COMMAND	Command is incorrectly entered
E002	INCORRECT NUMBER OF PARAMETERS	Any characters between command and <CR>
E003	INVALID PARAMETER	Value of parameter outside valid range
E004	EXCEEDED MAXIMUM NUMBER OF SAVES	Warning appears when maximum number of saves has been exceeded (1000 saves). STIM210 will always attempt to save the configuration when receiving the s (SAVE) command.
E005	ERROR DURING SAVE	System parameters not successfully transferred to flash

```
>s
SYSTEM PARAMETERS WILL BE PERMANENTLY CHANGED. CONFIRM SAVE(Y/N): Y
SYSTEM PARAMETERS SUCCESSFULLY STORED IN FLASH.
NUMBER OF SAVES = 26
>
```

**Figure 10-31: Example of response from s (SAVE) command when confirming save**

```
>s
SYSTEM PARAMETERS WILL BE PERMANENTLY CHANGED. CONFIRM SAVE(Y/N): N
SAVE COMMAND ABORTED.
>
```

**Figure 10-32: Example of response from s (SAVE) command when not confirming save**

```
>s
SYSTEM PARAMETERS WILL BE PERMANENTLY CHANGED. CONFIRM SAVE(Y/N): y
SAVE COMMAND ABORTED.

E003 INVALID PARAMETER
>
```

**Figure 10-33: Example of response from s (SAVE) command when not correctly responding to confirmation**

### 10.11 x (EXIT) command

General description: Terminates Service Mode and returns to Normal Mode directly or via Init Mode (ref. Figure 8-6).

**Table 10-33 : Available x (EXIT) command**

Syntax	Response
x<SP><exit_to><CR>	Terminates Service Mode

**Table 10-34 : Allowed values for <exit\_to> for x (EXIT) command**

<exit_to>	Result
n	Terminates Service Mode and return to Normal Mode. If system parameters have been changed compared to flash content, a confirmation is requested before exiting to Normal Mode ("Y" in upper case letter). There will be a 3 seconds hold time between the transmitted command response and execution of the EXIT command.
i	Terminates Service Mode and return to Init Mode. If system parameters have been changed compared to flash content, a confirmation is requested before exiting to Normal Mode ("Y" in upper case letter). There will be a 3 seconds hold time between the transmitted command response and execution of the EXIT command. <b>NB: Changes made to system parameters, but not saved, will be overwritten by the data already stored in flash when entering Init Mode.</b>
N	Terminates Service Mode and return immediately to Normal Mode (without confirmation if system parameters have been changed compared to flash and without any hold time)
I	Terminates Service Mode and return immediately to Init Mode (without confirmation if system parameters have been changed compared to flash and without any hold time). <b>NB: Changes made to system parameters, but not saved, will be overwritten by the data already stored in flash when entering Init Mode.</b>

**Table 10-35: Error messages for x (EXIT) command**

Error	Message	Possible reason
E001	UNKOWN COMMAND	Command is incorrectly entered
E002	INCORRECT NUMBER OF PARAMETERS	Too many or too few parameters, use of comma between command and first parameter
E003	INVALID PARAMETER	Value of parameter outside valid range

```
>x n
SYSTEM RETURNING TO NORMAL MODE.
```

**Figure 10-34: Example of response from x n (EXIT) command when system parameters match contents of flash**

```
>x i
SYSTEM RETURNING TO INIT MODE.
```

**Figure 10-35: Example of response from x i (EXIT) command when system parameters match contents of flash**

```
>x n
CURRENT SYSTEM PARAMETERS DO NOT MATCH FLASH CONTENT. CONFIRM EXIT(Y/N): Y
SYSTEM RETURNING TO NORMAL MODE.
```

**Figure 10-36: Example of response from x n (EXIT) command after system parameters have been changed but not saved with confirmed EXIT.**

```
>x i
CURRENT SYSTEM PARAMETERS DO NOT MATCH FLASH CONTENT. CONFIRM EXIT(Y/N): N
>
```

**Figure 10-37: Example of response from x i (EXIT) command after system parameters have been changed but not saved with confirmed not to EXIT.**

```
>x n
CURRENT SYSTEM PARAMETERS DOES NOT MATCH FLASH CONTENT. CONFIRM EXIT(Y/N): n

E003 INVALID PARAMETER
>
```

**Figure 10-38: Example of response from x n (EXIT) command after system parameters have been changed but not saved with incorrect response to confirmation.**

### 10.12 z (RESTORE TO FACTORY SETTINGS) command

General description: Restores the configuration of the unit to its factory settings.

**Table 10-36: Available z (RESTORE TO FACTORY SETTINGS) commands**

Syntax	Response
z<CR>	Restores the configuration of the unit to its factory settings. <b>NB: The restored configuration will not be permanent unless it is SAVED to flash before EXITing Service Mode, resetting the unit or turning off power.</b>

**Table 10-37: Error messages for z (RESTOR TO FACTORY SETTINGS) command**

Error	Message	Possible reason
E001	UNKOWN COMMAND	Command is incorrectly entered
E002	INCORRECT NUMBER OF PARAMETERS	Any characters between command and <CR>
E003	INVALID PARAMETER	Value of parameter outside valid range

```
>z
RESTORE TO FACTORY SETTINGS.
CONFIRM CHANGE TO FACTORY SETTINGS (Y/N): Y

APPLYING FACTORY SETTINGS
FACTORY SETTINGS APPLIED. TO PERMANENTLY STORE THE SETTINGS, USE THE SAVE COMMAND.
>
```

**Figure 10-39: Example of response from z (RESTORE TO FACTORY SETTINGS) command with no change in transmission parameters.**

```
>z
RESTORE TO FACTORY SETTINGS.
CONFIRM CHANGE TO FACTORY SETTINGS(Y/N): Y

TRANSMISSION PARAMETERS WILL BE CHANGED. PLEASE CONFIRM (Y/N): Y
THE TRANSMISSION CONFIGURATION WILL BE CHANGED TO:
TRANSMISSION PROTOCOL = 460800 bits/s, 2 STOP BIT(S), EVEN PARITY

APPLYING FACTORY SETTINGS
FACTORY SETTINGS APPLIED. TO PERMANENTLY STORE THE SETTINGS, USE THE SAVE COMMAND.
>
```

**Figure 10-40: Example of response from z (RESTORE TO FACTORY SETTINGS) command with change in transmission parameters.**

### 10.13 ? (HELP) command

General description: Help function on the available commands in Service Mode.

**Table 10-38: Available ? (HELP) commands**

Syntax	Response
?<CR>	Lists the available parameters for this command
?<SP><hlp><CR>	Responds with information on the specified command

**Table 10-39: Allowed values for <hlp> for ? (HELP) command**

<hlp>	Result
i	Responds with information on the INFORMATION command
a	Responds with information on the SINGLE-SHOT MEASUREMENT command
c	Responds with information on the DIAGNOSTIC command
d	Responds with information on the DATAGRAM FORMAT command
t	Responds with information on the TRANSMISSION PARAMETERS command
r	Responds with information on the TERMINATION command
u	Responds with information on the OUTPUT UNIT command
f	Responds with information on the LP FILTER -3dB FREQUENCY command
m	Responds with information on the SAMPLE RATE command
s	Responds with information on the SAVE command
x	Responds with information on the EXIT command
z	Responds with information on the RESTORE TO FACTORY SETTINGS command

**Table 10-40: Error messages for ? (HELP) commands**

Error	Message	Possible reason
E001	UNKOWN COMMAND	Command is incorrectly entered
E002	INCORRECT NUMBER OF PARAMETERS	Too many or too few parameters, use of comma between command and first parameter
E003	INVALID PARAMETER	Value of parameter outside valid range

<pre> &gt;? AVAILABLE PARAMETERS: i: LISTS SPECIFIC INFORMATION a: PERFORMS A SINGLE-SHOT MEASUREMENT c: PERFORMS A DIAGNOSTIC OF THE UNIT d: CHANGES DATAGRAM FORMAT t : CHANGES TRANSMISSION PARAMETERS r: CHANGES THE LINE TERMINATION AND DATAGRAM TERMINATION u : CHANGES OUTPUT UNIT f: CHANGES LP FILTER -3dB FREQUENCY m: CHANGES SAMPLE RATE s: SAVES CONFIGURATION DATA z: RESTORES FACTORY SETTINGS x: EXITS SERVICE MODE  &gt; </pre>
---

**Figure 10-41: Example of response from ? (HELP) command**

```
>? i
i: LISTS THE PRODUCT CONFIGURATION DATA
i s: RETURNS THE SERIAL NUMBER
i n: RETURNS THE PRODUCT NAME
i x: RETURNS THE PART NUMBER
i h: RETURNS THE HW CONFIGURATION AND REVISION
i p: RETURNS THE FW CONFIGURATION AND REVISION
i m: RETURNS THE SAMPLE RATE
i f: RETURNS THE LP FILTER -3dB FREQUENCY
i d: RETURNS THE DATAGRAM FORMAT
i t: RETURNS THE TRANSMISSION PARAMETERS
i r: RETURNS THE LINE TERMINATION AND DATAGRAM TERMINATION SETTING
i u: RETURNS THE OUTPUT UNIT
i e: PRINTS THE EXTENDED ERROR INFORMATION FROM THE LAST DETECTED ERROR IN NORMAL MODE

>
```

**Figure 10-42: Example of response from ? i (HELP on INFORMATION) command**

```
>? a
a: PERFORMS A SINGLE-SHOT MEASUREMENT

>
```

**Figure 10-43: Example of response from ? a (HELP ON SINGLE-SHOT MEASUREMENT) command**

```
>? c
c: PERFORMS A DIAGNOSTIC OF THE UNIT

>
```

**Figure 10-44: Example of response from ? c (HELP on DIAGNOSTIC) command**

```
>? d
d s: CHANGES THE CONTENT OF THE DATAGRAMS IN NORMAL MODE TO STANDARD CONTENT
d e: CHANGES THE CONTENT OF THE DATAGRAMS IN NORMAL MODE TO EXTENDED CONTENT
d j: CHANGES THE CONTENT OF THE DATAGRAMS IN NORMAL MODE TO RATE AND TEMPERATURE
d k: CHANGES THE CONTENT OF THE DATAGRAMS IN NORMAL MODE TO RATE AND COUNTER
d l: CHANGES THE CONTENT OF THE DATAGRAMS IN NORMAL MODE TO RATE AND LATENCY
d m: CHANGES THE CONTENT OF THE DATAGRAMS IN NORMAL MODE TO RATE, COUNTER AND LATENCY
d n: CHANGES THE CONTENT OF THE DATAGRAMS IN NORMAL MODE TO RATE, TEMPERATURE AND COUNTER
d o: CHANGES THE CONTENT OF THE DATAGRAMS IN NORMAL MODE TO RATE, TEMPERATURE AND LATENCY
d p: CHANGES THE CONTENT OF THE DATAGRAMS IN NORMAL MODE TO RATE, TEMPERATURE, COUNTER AND LATENCY

>
```

**Figure 10-45: Example of response from ? d (HELP on DATAGRAM FORMAT) command**

```
>? t
t <bit rate>: CHANGES THE BIT RATE [bits/s]
t <bit rate>, <stop bits>, <parity>: CHANGES THE BIT RATE [bits/s], NUMBER OF STOP BITS AND PARITY
    ALLOWED VALUES FOR <bit rate> = 374400, 460800, 921600 AND 1843200
    ALLOWED VALUES FOR <stop bits> = 1 AND 2
    ALLOWED VALUES FOR <parity> = n (=NONE), e (=EVEN) AND o (=ODD)

>
```

**Figure 10-46: Example of response from ? t (HELP on TRANSMISSION PARAMETERS) command**

```
>? r
r 0: TURNS LINE TERMINATION = OFF AND DATAGRAM TERMINATION = NONE
r 1: TURNS LINE TERMINATION = ON AND DATAGRAM TERMINATION = NONE
r 2: TURNS LINE TERMINATION = OFF AND DATAGRAM TERMINATION = <CR><LF>
r 3: TURNS LINE TERMINATION = ON AND DATAGRAM TERMINATION = <CR><LF>

>
```

**Figure 10-47: Example of response from ? r (HELP on TERMINATION) command**

```
>? u
u a: CHANGES OUTPUT UNIT TO ANGULAR RATE [°/s]
u i: CHANGES OUTPUT UNIT TO INCREMENTAL ANGLE [°/sample]
u m: CHANGES OUTPUT UNIT TO AVERAGE ANGULAR RATE [°/s]
u s: CHANGES OUTPUT UNIT TO INTEGRATED ANGLE [°]
>
```

**Figure 10-48: Example of response from ? u (HELP on OUTPUT UNIT) command**

```
>? f
f <-3dBfreq>: CHANGES THE LP FILTER -3dB FREQUENCY [Hz] FOR ALL AXES
f <-3dBfreq>,<axis>: CHANGES THE LP FILTER -3dB FREQUENCY [Hz] FOR A SPECIFIC AXIS
  ALLOWED VALUES FOR <-3dBfreq> = 16, 33, 66, 131 AND 262
  ALLOWED VALUES FOR <axis> = x, y AND z
>
```

**Figure 10-49: Example of response from ? f (HELP on LP FILTER -3dB FREQUENCY) command**

```
>? m
m <sampl.freq>: CHANGES THE SAMPLE RATE [samples/s]
  ALLOWED VALUES FOR <sampl.freq> = 125, 250, 500, 1000, 2000 AND 0 (EXTERNAL TRIGGER)
>
```

**Figure 10-50: Example of response from ? m (HELP on SAMPLE RATE) command**

```
>? s
s: SAVES SYSTEM PARAMETERS TO FLASH
>
```

**Figure 10-51: Example of response from ? s (HELP on SAVE) command**

```
>? z
z: RESTORES FACTORY SETTINGS
>
```

**Figure 10-52: Example of response from ? z (HELP on RESTORES TO FACTORY SETTINGS) command**

```
>? x
x n: EXITS SERVICE MODE AND RETURNS TO NORMAL MODE
x i: EXITS SERVICE MODE AND RETURNS TO INIT MODE
x N: EXITS SERVICE MODE AND RETURNS IMMEDIATELY TO NORMAL MODE
x I: EXITS SERVICE MODE AND RETURNS IMMEDIATELY TO INIT MODE
NB: NON-MAILED SYSTEM PARAMETERS WILL BE OVERWRITTEN BY STORED CONTENT IN FLASH WHEN EXITING TO INIT MODE
>
```

**Figure 10-53: Example of response from ? x (HELP on EXIT) command**

### 11 MARKING

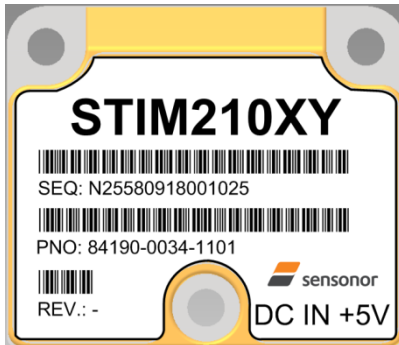


Figure 11-1: Example of marking of STIM210

### 12 PART NUMBER / ORDERING INFORMATION

Configuration options in **bold** letters are the standard option.

Main configuration	-	Output unit	Data-gram	Sampling rate	Band-width	-	Bit rate	Stop bits	Parity	Termination																																																										
<table border="1"> <tr><td><b>Axes:</b></td></tr> <tr><td><b>84188 = full 3-axis</b></td></tr> <tr><td>84190 = 2-axis in X+Y directions</td></tr> <tr><td>84192 = 2-axis in X+Z directions</td></tr> <tr><td>84194 = 2-axis in Y+Z directions</td></tr> <tr><td>84196 = 1-axis in X-direction</td></tr> <tr><td>84198 = 1-axis in Y-direction</td></tr> <tr><td>84200 = 1-axis in Z-direction</td></tr> </table>	<b>Axes:</b>	<b>84188 = full 3-axis</b>	84190 = 2-axis in X+Y directions	84192 = 2-axis in X+Z directions	84194 = 2-axis in Y+Z directions	84196 = 1-axis in X-direction	84198 = 1-axis in Y-direction	84200 = 1-axis in Z-direction		<table border="1"> <tr><td><b>Output unit:</b></td></tr> <tr><td><b>0 = Angular Rate</b></td></tr> <tr><td>1 = Incremental Angle</td></tr> <tr><td>2 = Average Angular Rate</td></tr> <tr><td>3 = Integrated Angle</td></tr> </table>	<b>Output unit:</b>	<b>0 = Angular Rate</b>	1 = Incremental Angle	2 = Average Angular Rate	3 = Integrated Angle	<table border="1"> <tr><td><b>Datagram content:</b></td></tr> <tr><td><b>0 = Standard</b></td></tr> <tr><td>1 = Extended</td></tr> <tr><td>3 = Rate and temperature</td></tr> <tr><td>4 = Rate and counter</td></tr> <tr><td>5 = Rate and latency</td></tr> <tr><td>6 = Rate, counter and latency</td></tr> <tr><td>7 = Rate, temperature and counter</td></tr> <tr><td>8 = Rate, temperature and latency</td></tr> <tr><td>9 = Rate, temperature, counter and latency</td></tr> </table>	<b>Datagram content:</b>	<b>0 = Standard</b>	1 = Extended	3 = Rate and temperature	4 = Rate and counter	5 = Rate and latency	6 = Rate, counter and latency	7 = Rate, temperature and counter	8 = Rate, temperature and latency	9 = Rate, temperature, counter and latency	<table border="1"> <tr><td><b>Sampling rate:</b></td></tr> <tr><td>0 = 125 samples/s</td></tr> <tr><td>1 = 250 samples/s</td></tr> <tr><td>2 = 500 samples/s</td></tr> <tr><td><b>3 = 1000 samples/s</b></td></tr> <tr><td>4 = 2000 samples/s</td></tr> <tr><td>5 = External trigger</td></tr> </table>	<b>Sampling rate:</b>	0 = 125 samples/s	1 = 250 samples/s	2 = 500 samples/s	<b>3 = 1000 samples/s</b>	4 = 2000 samples/s	5 = External trigger	<table border="1"> <tr><td><b>Bandwidth:</b></td></tr> <tr><td>0 = 16Hz</td></tr> <tr><td>1 = 33Hz</td></tr> <tr><td>2 = 66Hz</td></tr> <tr><td>3 = 131Hz</td></tr> <tr><td><b>4 = 262Hz</b></td></tr> </table>	<b>Bandwidth:</b>	0 = 16Hz	1 = 33Hz	2 = 66Hz	3 = 131Hz	<b>4 = 262Hz</b>		<table border="1"> <tr><td><b>Bit rate:</b></td></tr> <tr><td>0 = 374400 bits/s</td></tr> <tr><td><b>1 = 460800 bits/s</b></td></tr> <tr><td>2 = 921600 bits/s</td></tr> <tr><td>3 = 1843200 bits/s</td></tr> </table>	<b>Bit rate:</b>	0 = 374400 bits/s	<b>1 = 460800 bits/s</b>	2 = 921600 bits/s	3 = 1843200 bits/s	<table border="1"> <tr><td><b>Stop bits:</b></td></tr> <tr><td><b>1 = 1 stop bit</b></td></tr> <tr><td>2 = 2 stop bits</td></tr> </table>	<b>Stop bits:</b>	<b>1 = 1 stop bit</b>	2 = 2 stop bits	<table border="1"> <tr><td><b>Parity:</b></td></tr> <tr><td><b>0 = no parity</b></td></tr> <tr><td>1 = odd parity</td></tr> <tr><td>2 = even parity</td></tr> </table>	<b>Parity:</b>	<b>0 = no parity</b>	1 = odd parity	2 = even parity	<table border="1"> <tr><td><b>Line</b></td><td><b>Datagram</b></td></tr> <tr><td>0 OFF</td><td>None</td></tr> <tr><td><b>1 ON</b></td><td><b>None</b></td></tr> <tr><td>2 OFF</td><td>&lt;CR&gt;&lt;LF&gt;</td></tr> <tr><td>3 ON</td><td>&lt;CR&gt;&lt;LF&gt;</td></tr> </table>	<b>Line</b>	<b>Datagram</b>	0 OFF	None	<b>1 ON</b>	<b>None</b>	2 OFF	<CR><LF>	3 ON	<CR><LF>
<b>Axes:</b>																																																																				
<b>84188 = full 3-axis</b>																																																																				
84190 = 2-axis in X+Y directions																																																																				
84192 = 2-axis in X+Z directions																																																																				
84194 = 2-axis in Y+Z directions																																																																				
84196 = 1-axis in X-direction																																																																				
84198 = 1-axis in Y-direction																																																																				
84200 = 1-axis in Z-direction																																																																				
<b>Output unit:</b>																																																																				
<b>0 = Angular Rate</b>																																																																				
1 = Incremental Angle																																																																				
2 = Average Angular Rate																																																																				
3 = Integrated Angle																																																																				
<b>Datagram content:</b>																																																																				
<b>0 = Standard</b>																																																																				
1 = Extended																																																																				
3 = Rate and temperature																																																																				
4 = Rate and counter																																																																				
5 = Rate and latency																																																																				
6 = Rate, counter and latency																																																																				
7 = Rate, temperature and counter																																																																				
8 = Rate, temperature and latency																																																																				
9 = Rate, temperature, counter and latency																																																																				
<b>Sampling rate:</b>																																																																				
0 = 125 samples/s																																																																				
1 = 250 samples/s																																																																				
2 = 500 samples/s																																																																				
<b>3 = 1000 samples/s</b>																																																																				
4 = 2000 samples/s																																																																				
5 = External trigger																																																																				
<b>Bandwidth:</b>																																																																				
0 = 16Hz																																																																				
1 = 33Hz																																																																				
2 = 66Hz																																																																				
3 = 131Hz																																																																				
<b>4 = 262Hz</b>																																																																				
<b>Bit rate:</b>																																																																				
0 = 374400 bits/s																																																																				
<b>1 = 460800 bits/s</b>																																																																				
2 = 921600 bits/s																																																																				
3 = 1843200 bits/s																																																																				
<b>Stop bits:</b>																																																																				
<b>1 = 1 stop bit</b>																																																																				
2 = 2 stop bits																																																																				
<b>Parity:</b>																																																																				
<b>0 = no parity</b>																																																																				
1 = odd parity																																																																				
2 = even parity																																																																				
<b>Line</b>	<b>Datagram</b>																																																																			
0 OFF	None																																																																			
<b>1 ON</b>	<b>None</b>																																																																			
2 OFF	<CR><LF>																																																																			
3 ON	<CR><LF>																																																																			

Example: part number 84188-0032-1211 has the following configuration:

- X, Y and Z axis
- Angular Rate Output [°/s]
- Standard Datagram
- 1000 samples/s
- -3dB bandwidth = 66Hz
- Bit rate = 460800 bits/s
- 2 stop bits
- Odd parity
- Line termination ON
- No datagram termination

## NOTES

Information furnished by SensoNor Technologies is believed to be accurate and reliable. However, no responsibility is assumed by SensoNor Technologies for its use, nor for any infringements of patents or other rights of third parties that may result from its use. SensoNor Technologies reserves the right to make changes without further notice to any products herein. SensoNor Technologies makes no warranty, representation or guarantee regarding the suitability of its products for any particular purpose, nor does SensoNor Technologies assume any liability arising out of the application or use of any product or circuit, and specifically disclaims any and all liability, including without limitation consequential or incidental damages. No license is granted by implication or otherwise under any patent or patent rights of SensoNor Technologies. Trademarks and registered trademarks are the property of their respective owners. SensoNor Technologies products are not intended for any application in which the failure of the SensoNor Technologies product could create a situation where personal injury or death may occur. Should Buyer purchase or use SensoNor Technologies products for any such unintended or unauthorized application, Buyer shall indemnify and hold SensoNor Technologies and its officers, employees, subsidiaries, affiliates, and distributors harmless against all claims, costs, damages, and expenses, and reasonable legal fees arising out of, directly or indirectly, any claim of personal injury or death associated with such unintended or unauthorized use, even if such claim alleges that SensoNor Technologies was negligent regarding the design or manufacture of the part.

**Sensoror Technologies AS**

Phone: +47 3303 5000 - Fax: +47 3303 5005

sales@sensoror.no [www.sensoror.com](http://www.sensoror.com)