

### 1 FEATURES

- Miniature laser welded hermetic package
- Tested to 20 years life expectancy
- Aluminum casing, 6082-T6 alloy - SurTec 650 surface treated
- ITAR-free
- Low noise and bias instability
- Calibrated and verified over operating range
- Excellent performance in vibration and shock environments
- 3 axes offered in same package
  - Electronically calibrated axis alignment
- Single-crystal silicon technology
  - No intrinsic wear-out effects
- Insensitive to magnetic fields
- Full EMI compliance
- Digital interface, RS422
- Fully configurable:
  - 5 different sample rates
  - 5 different bandwidths
  - LP filter -3dB frequency can be set individually for each axis
  - RS422 protocol, bit-rate and line termination
  - Selectable output unit: angular rate [deg/s], incremental angle [deg], average angular rate [deg/s] or integrated angle [°]
- External Trigger input and Time Of Validity output to enable synchronization
- Continuous self-diagnostics
- Delivered in dust free clean-room packaging



(38.6mm x 44.8mm x 21.5mm)

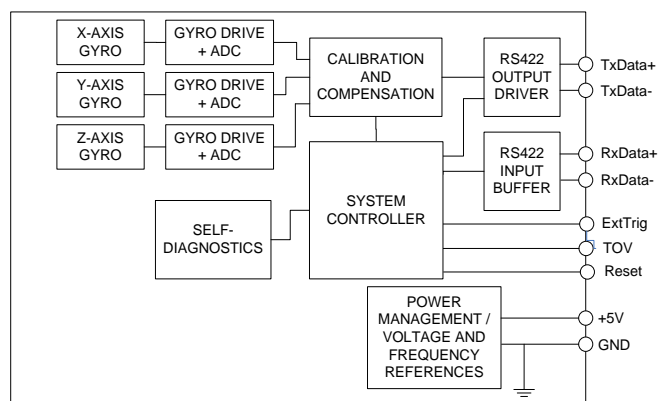


Figure 1-1: STIM277H FUNCTION BLOCK DIAGRAM

### 2 GENERAL DESCRIPTION

STIM277H is a cluster of 3 high accuracy MEMS-based gyros in a miniature package. Each axis is factory-calibrated for bias, sensitivity and compensated for temperature effects to provide high-accuracy measurements in the temperature range -40°C to +85°C. The unit runs off a single +5V supply.

STIM277H communicates via a standard high-level RS422 interface. The use of a 32 bit RISC ARM microcontroller provides flexibility in the configuration, like choice of output unit, sample rate, LP filter -3dB frequency and RS422 bit-rate and protocol parameters. All configurable parameters can be defined when ordering or set by customer.

When STIM277H is powered up, it will perform an internal system check and synchronize the gyros. As an acknowledgement of the complete power-up sequence, it will provide special datagrams containing data, like part number, serial number and configuration parameters as mentioned above. STIM277H will then automatically proceed to provide measurement data.

The measurement data is transmitted as packages of data on a fixed format (datagram) at intervals given by the sample rate. The datagram is in binary coded format in order to have an efficient transfer of data. In addition to the measurement data itself, the datagram contains an identifier, a status byte and a CRC (Cyclic Redundancy Check) byte to provide high degree of fault detection in the transmissions. The status byte will flag any detected errors in the system.

For more advanced users, the gyro may be put in Service Mode. In this mode all the configuration parameters can be intermediately or permanently changed by overwriting the current settings in the flash memory. In Service Mode the commands and responses are in a human readable format; to enable the use of terminal-type software during typical product integration. Service Mode also provides the ability to perform single measurements, perform diagnostics and obtain a higher detail level of detected errors reported in the status byte.

**Sensoror AS**

Phone: +47 3303 5000 - Fax: +47 3303 5005

[sales@sensoror.com](mailto:sales@sensoror.com)

[www.sensoror.com](http://www.sensoror.com)

### 3 TABLE OF CONTENTS

1	FEATURES .....	1
2	GENERAL DESCRIPTION .....	1
3	TABLE OF CONTENTS .....	2
4	DEFINITIONS AND ABBREVIATIONS USED IN DOCUMENT .....	3
4.1	Definitions .....	3
4.2	Abbreviations .....	3
5	ABSOLUTE MAXIMUM RATINGS .....	3
6	SPECIFICATIONS .....	3
6.1	TYPICAL PERFORMANCE CHARACTERISTICS .....	6
6.1.1	Root Allan Variance .....	6
6.1.2	Initial bias drift .....	7
6.1.3	Bias drift over temperature .....	7
6.1.4	Frequency characteristics .....	8
6.2	Configurable parameters .....	10
6.3	Datagram specifications .....	11
6.4	Status byte .....	15
7	MECHANICAL .....	16
7.1	Mechanical dimensions .....	16
7.2	Advice on mounting orientation .....	17
7.3	Pin configuration .....	17
7.4	Definition of axes .....	17
8	BASIC OPERATION .....	18
8.1	Reset .....	18
8.2	External Trigger .....	19
8.3	Time of Validity (TOV) .....	20
8.4	Operating modes .....	21
8.4.1	Init Mode .....	21
8.4.2	Normal Mode .....	21
8.4.3	Service Mode .....	25
8.5	Self diagnostics .....	25
9	COMMANDS IN NORMAL MODE .....	26
9.1	N (PART NUMBER DATAGRAM) command .....	26
9.2	I (SERIAL NUMBER DATAGRAM) command .....	26
9.3	C (CONFIGURATION DATAGRAM) command .....	27
9.4	E (EXTENDED ERROR INFORMATION DATAGRAM) command .....	27
9.5	R (RESET) command .....	27
9.6	SERVICEMODE command .....	28
10	COMMANDS IN SERVICE MODE .....	29
10.1	i (INFORMATION) command .....	30
10.2	a (SINGLE-SHOT MEASUREMENT) command .....	33
10.3	c (DIAGNOSTIC) command .....	34
10.4	d (DATAGRAM FORMAT) command .....	36
10.5	t (TRANSMISSION PARAMETERS) command .....	37
10.6	r (TERMINATION) command .....	39
10.7	u (OUTPUT UNIT) command .....	40
10.8	f (LP FILTER -3dB FREQUENCY) command .....	41
10.9	m (SAMPLE RATE) command .....	42
10.10	s (SAVE) command .....	43
10.11	x (EXIT) command .....	44
10.12	z (RESTORE TO FACTORY SETTINGS) command .....	46
10.13	? (HELP) command .....	48
11	PACKAGING AND MARKING .....	51
11.1	Product marking .....	51
11.2	Packaging .....	51
12	PART NUMBER / ORDERING INFORMATION .....	52

### 4 DEFINITIONS AND ABBREVIATIONS USED IN DOCUMENT

#### 4.1 Definitions

1g = 9.80665m/s<sup>2</sup>

#### 4.2 Abbreviations

**Table 4-1: Abbreviations**

ABBREVIATION	FULL NAME
BCD	Binary Coded Decimal
CIC-filter	Cascaded Integrator Comb filter
CR	Carriage Return
ESD	Electro-Static Discharge
ExtTrig	External Trigger
GND	Ground
LF	Line Feed
LP filter	Low-Pass filter
NRST	Negative (active) Reset
rms	Root mean square
RxD	Receive Data
TOV	Time Of Validity
TxD	Transmit Data
VSUP	Voltage supply

### 5 ABSOLUTE MAXIMUM RATINGS

Stresses beyond those listed in Table 5-1 may cause permanent damage to the device. Exposure to any Absolute Maximum Rating condition for extended periods may affect device reliability and lifetime.

**Table 5-1: Absolute maximum ratings**

Parameter	Rating	Comment
Mechanical shock	1 500g/0.5ms half-sine	Any direction. Ref: MIL STD-883G
ESD human body model	±2kV	Ref: JEDEC/ESDA JS-001
Storage temperature	-55°C to +90°C	Up to 1000 hours
VSUP to GND	-0.5 to +7V	
RxD+ or RxD- to GND	-0.3V to +7V	
RxD+ to RxD-	±6V	with 120Ω Line Termination = ON
TxD+ or TxD- to GND	-8V to +8V	
ExtTrig to GND	-0.3V to +7V	
TOV to GND	-0.3V to +7V	
NRST to GND	-0.3V to +7V	
Chassis to GND	500V	
Helium sensitivity		Exposure to high concentrations of helium over several days may affect the overall performance

### 6 SPECIFICATIONS

**Table 6-1: Operating conditions**

Parameter	Conditions	Min	Nom	Max	Unit	Note
<b>INPUT RANGE</b>			±400		°/s	
<b>POWER SUPPLY</b>		4.5	5.0	5.5	V	
<b>OPERATING TEMPERATURE</b>		-40		+85	°C	

**Table 6-2: Functional specifications, general**

Parameter	Conditions	Min	Nom	Max	Unit	Note
<b>POWER CONSUMPTION</b>						
Power consumption				1.5	W	
<b>TIMING</b>						
Start-Up time after Power-On				0.3	s	1
Time to transmit after Reset				0.2	s	2
Time to valid data			0.7		s	3
RS422 Bit-Rate	T=+25°C			1	s	3
RS422 Bit-Rate Accuracy			ref. Table 6-5	±1	%	
<b>RS422 PROTOCOL</b>						
Start Bit			1		bit	
Data Length			8		bits	
Parity			None			4
Stop-bits			1		bit	4
<b>RS422 LINE TERMINATION</b>						
Input resistance	Line termination = ON		120		Ω	
Input resistance	Line termination = OFF	48	125		kΩ	
<b>RESET (NRST PIN)</b>						
Logic levels	“high” “low”	2.3		0.6	V V	
Minimum hold time for reset		1			μs	
Pull-Up Resistor		80	100		kΩ	
<b>EXTERNAL TRIGGER</b>						
Logic levels	“high” “low”	2.3		0.6	V V	
Trigger				Negative transition		
Minimum “high” time before trigger, $t_{ext\_hi}$		250			ns	5
Minimum “low” time after trigger, $t_{ext\_lo}$		250			ns	5
Delay from external trigger to start of transmission, $t_{ext\_dl}$				86	μs	5
Time between triggers	Measurement.unit: angular rate incremental angle average rate integrated angle	0.5 0.5 0.5 0.5		127 127 65 8	ms ms ms ms	6,7 6,8 6,9 6,10
Pull-Up Resistor		40	50		kΩ	
Latency				1000	μs	
<b>TIME OF VALIDITY (TOV PIN)</b>						
Output configuration			Open drain			
Internal Pull-Up Resistor to Vsup			10		kΩ	
Sink capability				50	mA	
TOV active level			Active “low”			
Minimum time of TOV, $t_{tov\_min}$		50			μs	11
Delay from internal time-tick to TOV active, $t_{tov\_dl}$			0.5	6	μs	11
Delay from TOV “low” to start of transmission, $t_{tx\_dl}$				80	μs	11
<b>CHASSIS</b>						
Isolation resistance chassis to GND (pin 15)	500V	100			MΩ	

Note 1: Time from Power-On to start of datagram transmissions (starting with part-number datagram)

Note 2: Time from Reset release to start of datagram transmissions (starting with part-number datagram)

Note 3: Time from Power-On or Reset to the reset of the Start-Up bit (Bit 6 in the STATUS byte ref. Table 6-13).

During this period the output data should be regarded as non-valid

Note 4: Other values can be configured, ref. Table 6-5

Note 5: For definition, ref. Figure 8-3

Note 6: If time between triggers is longer than 127ms, the sample counter will over-run

Note 7: Time between triggers should be carefully evaluated as long time between triggers in combination with high bandwidths could lead to issues related to folding

Note 8: If time between triggers is longer than 8ms, an overload may occur in the incremental angle. An overload will be flagged in the status byte, ref. Table 6-13

Note 9: If time between triggers is longer than specified, the accuracy of average rate may be reduced

Note 10: If time between triggers is longer than specified, the integrated angle may have wrapped several times and hence the change in angle from last sample will not be possible to calculate

Note 11: For definition, ref. Figure 8-4 and Figure 8-5

**Table 6-3: Functional specifications, gyros**

Parameter	Conditions	Min	Nom	Max	Unit	Note
Full Scale (FS)			±400		°/s	1
Resolution			24		bits	
			0.22		°/h	
Scale Factor Accuracy			±500		ppm	
Non-Linearity	±200°/s		15		ppm	2
	±400°/s		25		ppm	2
Bandwidth (-3dB)			262		Hz	3
Sample Rate				2000	samples/s	4
Group Delay			1.6		ms	5
Bias Range		-250	0	+250	°/h	
Bias Run-Run			4		°/h	
Bias error over temperature	Static temperatures		9		°/h	6
Bias error over temperature gradients	$\Delta T \leq \pm 1^\circ\text{C}/\text{min}$		10		°/h	7
Bias Instability	Allan Variance @25°C		0.3		°/h	
Angular Random Walk	Allan Variance @25°C		0.15		°/√hr	
Linear Acceleration Effect			7		°/h /g	8
Vibration Rectification Coefficient			Ref. Figure 6-1		°/h /g <sup>2</sup> <sub>rms</sub>	
Misalignment			1		mrad	9

Note 1: Output is monotonous and will saturate at ±480°/s

Note 2: Largest deviation from BSL (Best Straight Line) over the range specified

Note 3: Low-pass filter -3dB frequency can be configured, ref. Table 6-5 and section 6.1.4

Note 4: Other values can be configured, ref. Table 6-5

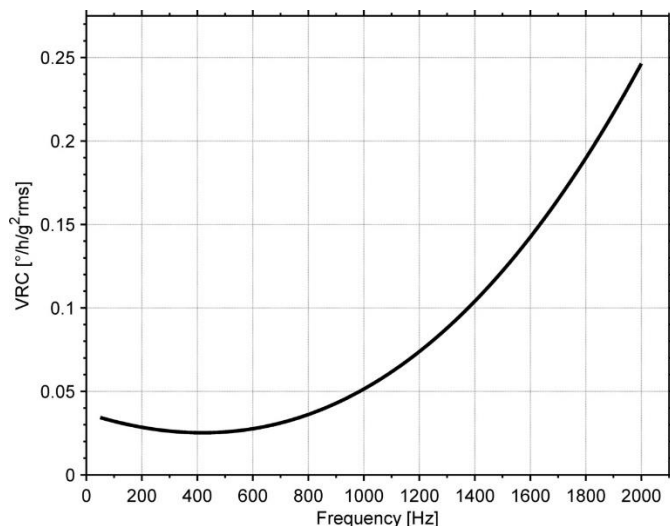
Note 5: Specified group delay is valid for a filter setting = 262Hz. See Table 6-5 to find group delay for other filter-settings. Total delay to start of datagram transmission = group delay + 0.5ms +  $t_{\text{ov\_dl}}$  +  $t_{\text{tx\_dl}}$

Note 6: rms-value calculated on the residuals at static temperatures over the temperature range

Note 7: rms-value calculated on the residual over two temperature-cycles, ref. Figure 6-5

Note 8: Section 7.2 gives advice on sensitive directions

Note 9: Ref. Figure 6-2 for definition of reference points used in axis alignment



**Figure 6-1: Nominal VRC at 20g rms for gyros (ref. section 7.2 for sensitive directions to acceleration-forces)**

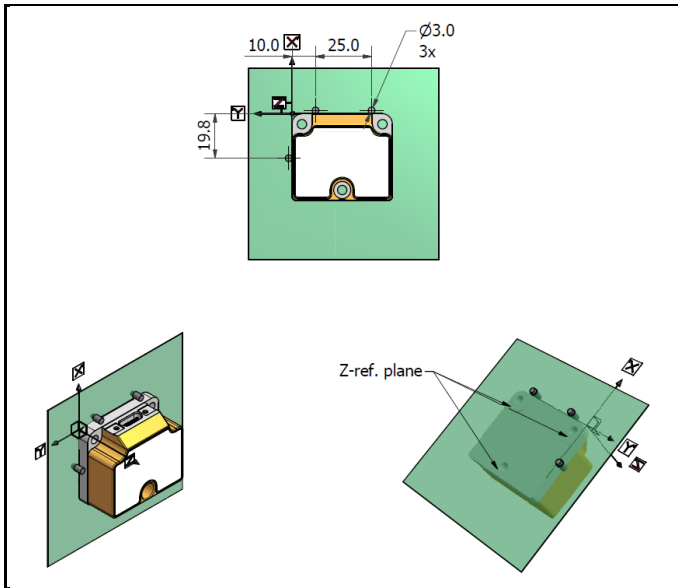


Figure 6-2: Reference points for alignment of axes

Table 6-4: Functional specifications, temperature

Parameter	Conditions	Min	Nom	Max	Unit	Note
Bias Accuracy	@25°C		±5		°C	1
Scale factor accuracy			±5		%	

Note 1: Temperature is calibrated to reflect ambient temperature and not the internal temperature.

## 6.1 TYPICAL PERFORMANCE CHARACTERISTICS

### 6.1.1 Root Allan Variance

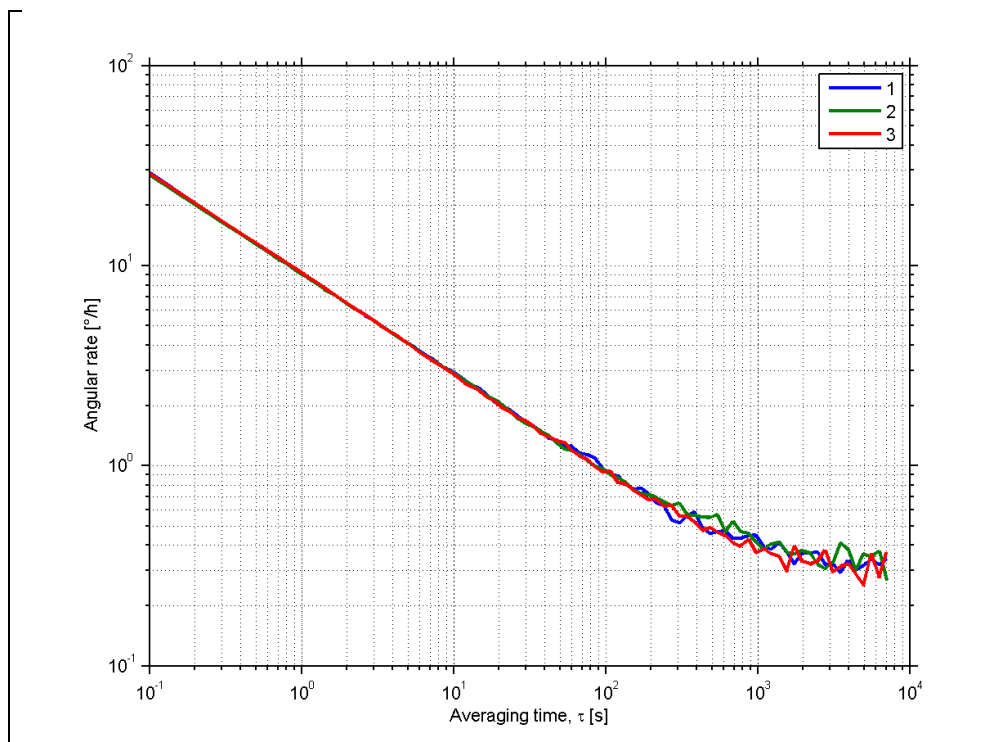


Figure 6-3: Typical Root Allan-Variance

6.1.2 Initial bias drift

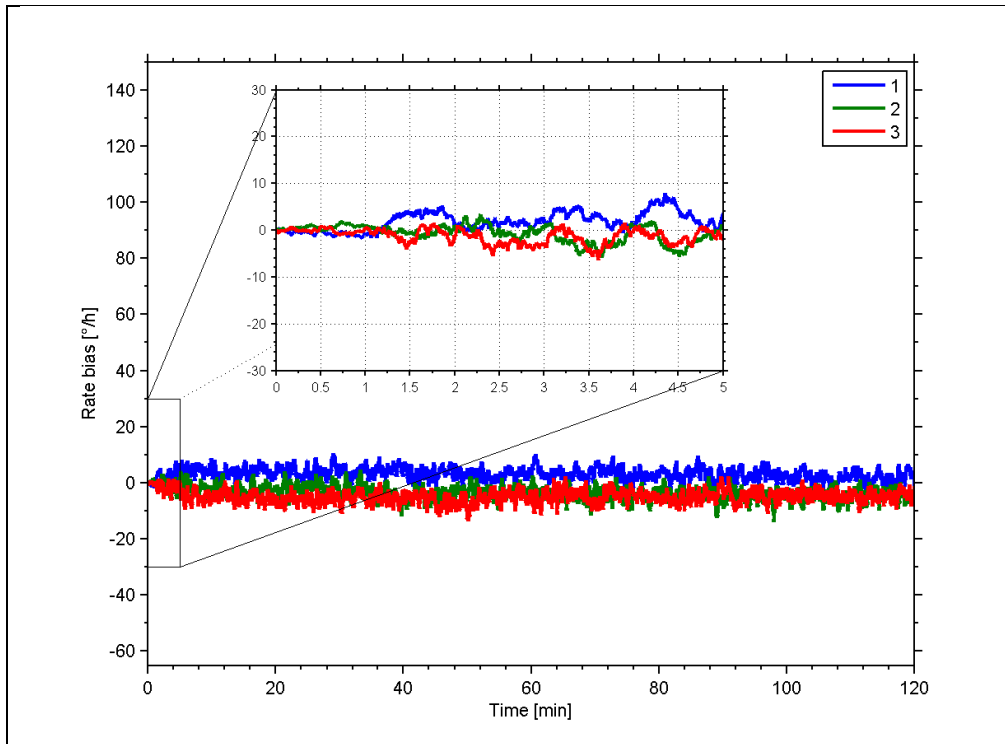


Figure 6-4: Typical normalized initial bias drift

6.1.3 Bias drift over temperature

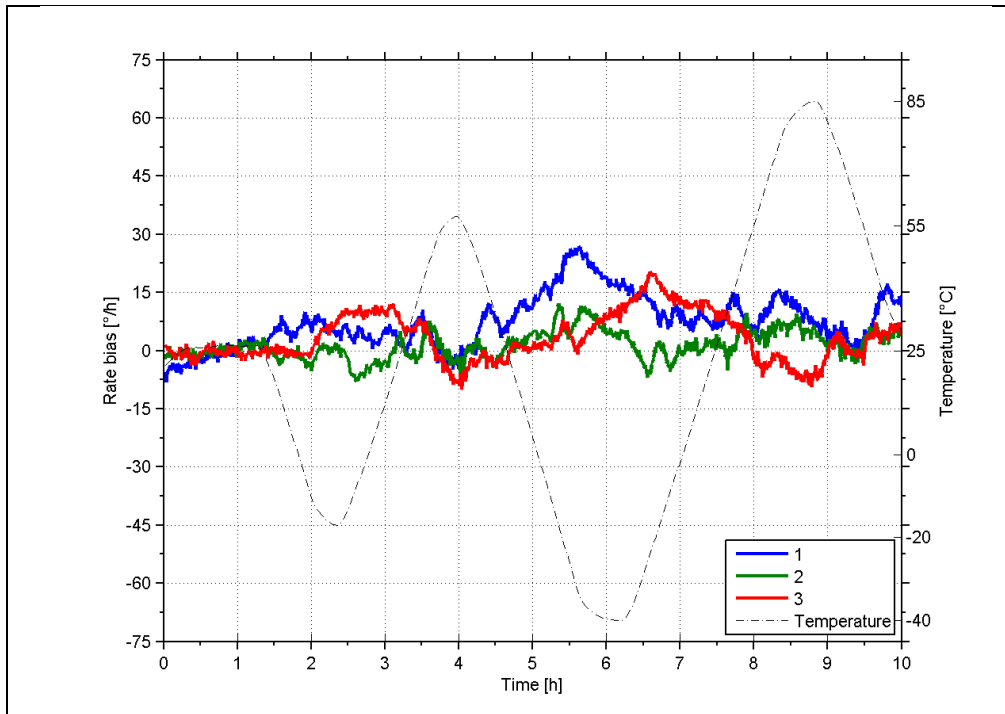
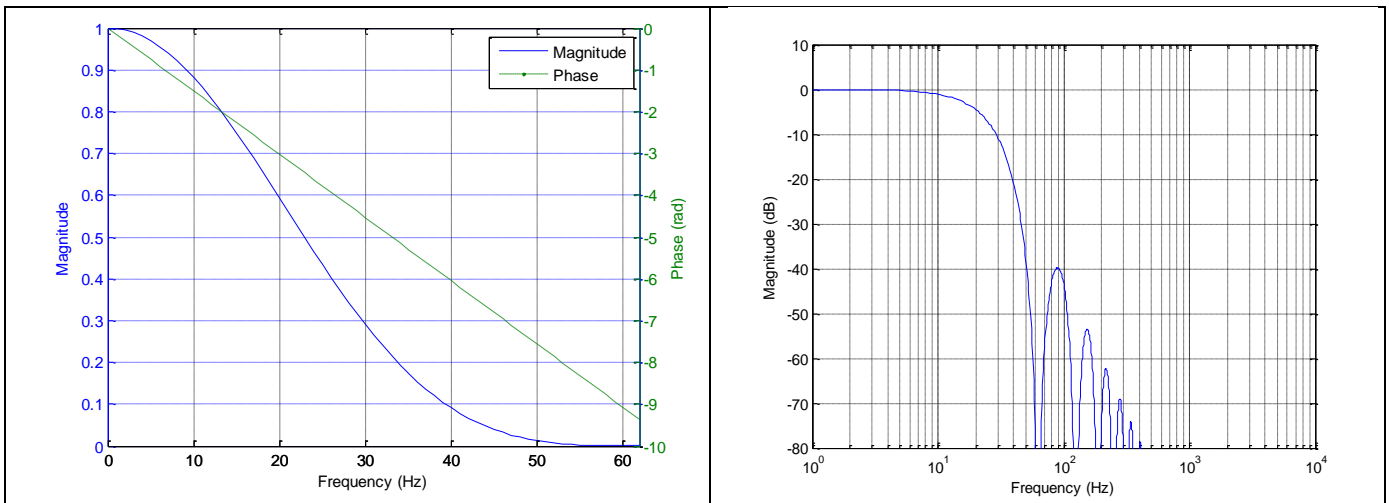
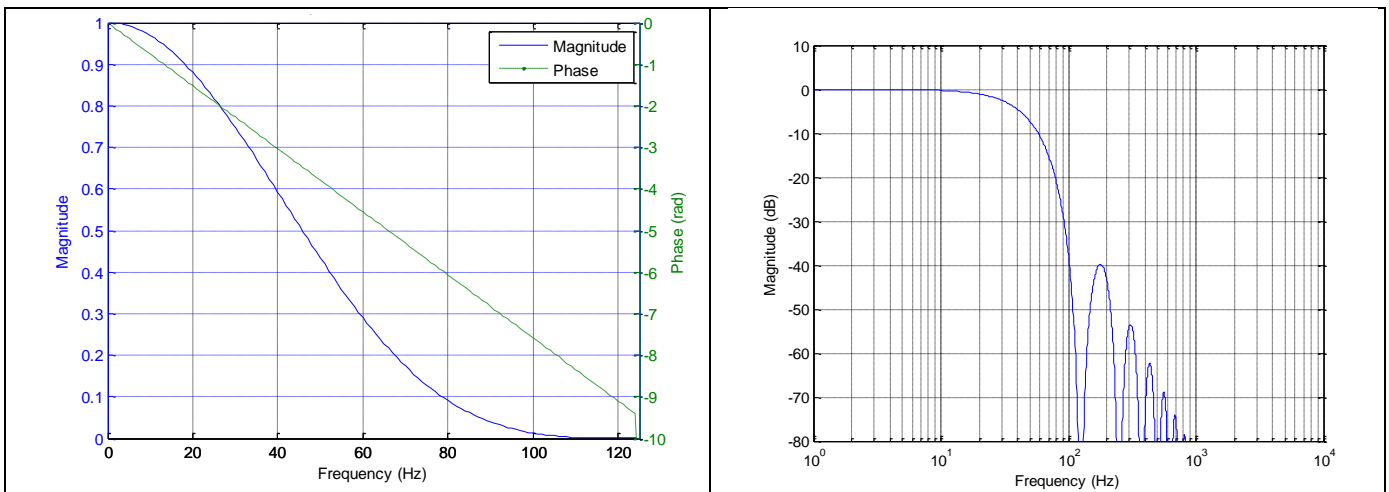


Figure 6-5: Typical Bias drift over temperature

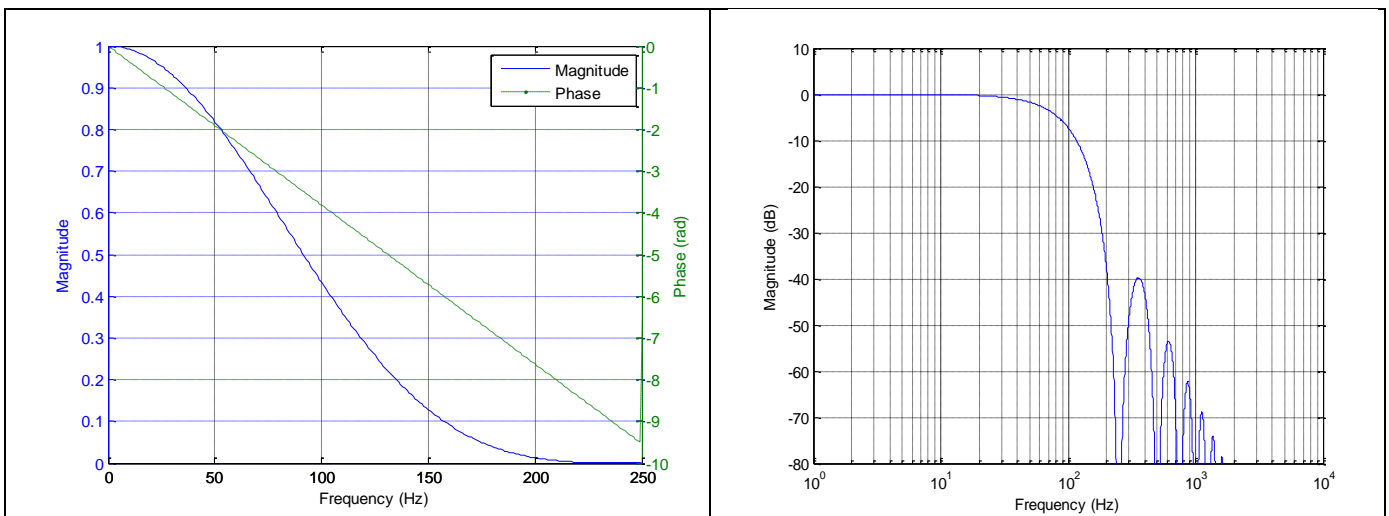
### 6.1.4 Frequency characteristics



**Figure 6-6: Frequency characteristics with low-pass filter -3dB frequency set to 16Hz**

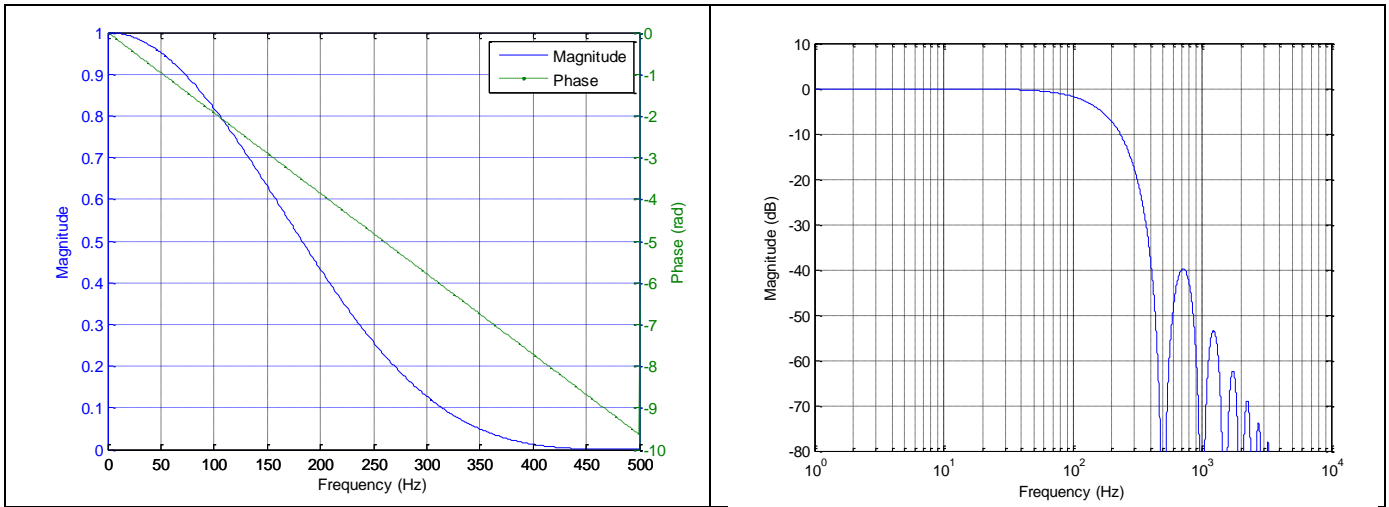


**Figure 6-7: Frequency characteristics with low-pass filter -3dB frequency set to 33Hz**

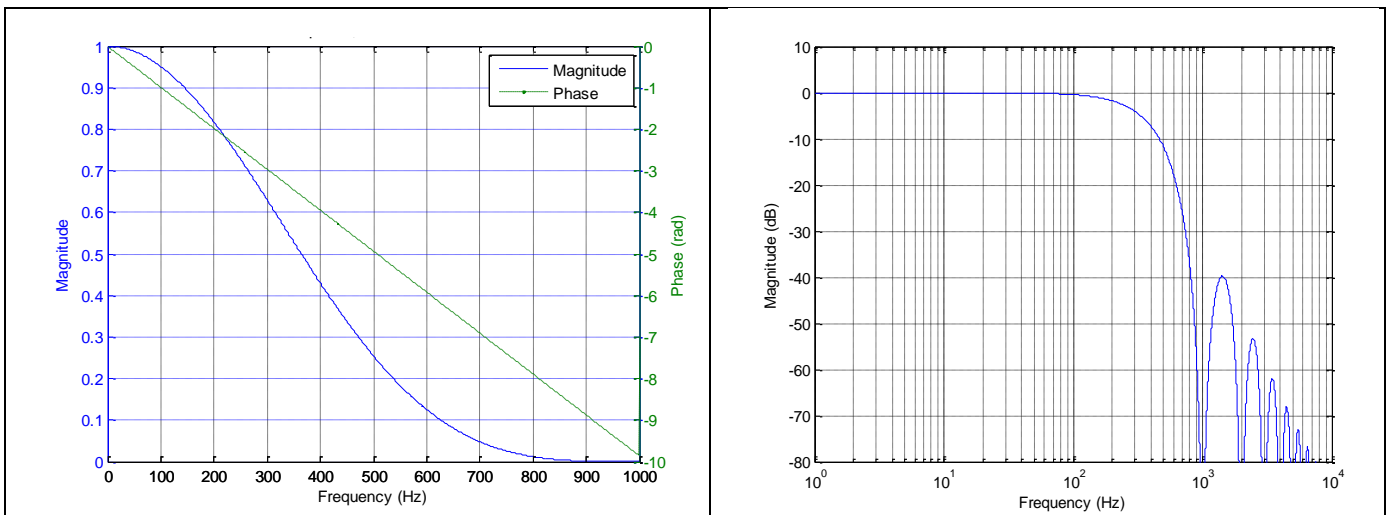


**Figure 6-8: Frequency characteristics with low-pass filter -3dB frequency set to 66Hz**





**Figure 6-9: Frequency characteristics with low-pass filter -3dB frequency set to 131Hz**



**Figure 6-10: Frequency characteristics with low-pass filter -3dB frequency set to 262Hz**

### 6.2 Configurable parameters

Table 6-5: Configurable parameters

Parameter	Configurations		Comments
<b>DATAGRAM FORMAT</b>	Standard Extended Rate and temperature Rate and counter Rate and latency Rate, counter and latency Rate, temperature and counter Rate, temperature and latency Rate, temperature, counter and latency		Contains measurements and status byte For future use
<b>DATAGRAM TERMINATION</b>	NONE <CR><LF>		
<b>MEASUREMENT UNIT</b>	Angular rate [°/s] Incremental angle [°/sample] Average angular rate [°/s] Integrated angle [°]		
<b>SAMPLE RATE</b>	125 samples/s 250 samples/s 500 samples/s 1000 samples/s 2000 samples/s External trigger		
<b>LOW-PASS FILTER -3dB FREQUENCY</b>	<b>-3dB freq.:</b>  16Hz 33Hz 66Hz 131Hz 262Hz	<b>Filter group delay:</b>  23.4ms 11.7ms 5.9ms 3.0ms 1.6ms	Filter settings are independent of sample rate. Low-pass filters are CIC type filters with linear phase response. Filter settings can be set individually for each axis. Total delay to the start of datagram transmission = group delay + 0.5ms + $t_{tov\_dl}$ + $t_{tx\_dl}$
<b>RS422 BIT-RATE</b>	374400 bits/s 460800 bits/s 921600 bits/s 1843200 bits/s User-defined		Some limitations apply to the use of 374400 and 460800 bits/s, dependent on chosen sample rate and datagram format, ref Table 6-12. For user-defined bit-rates, see section 10.5
<b>RS422 PARITY</b>	None Odd Even		
<b>RS422 STOP-BITS</b>	1 stop-bit 2 stop-bits		
<b>RS422 120Ω LINE TERMINATION</b>	OFF ON		

Refer to section 12 for information on how to configure STIM277H when ordering.

### 6.3 Datagram specifications

**Table 6-6: Specification of the Part Number datagram**

Byte#	Bit#								Specification
	7	6	5	4	3	2	1	0	
0	0	1	0	1	0	1	0	0	<b>Part Number datagram identifier:</b> 0x54 for datagrams without CR+LF termination 0x56 for standard datagrams w.CR+LF
1	0	0	0	0	P1 <sub>3</sub>	P1 <sub>2</sub>	P1 <sub>1</sub>	P1 <sub>0</sub>	Low nibble: 1.digit (BCD) of part number
2	P2 <sub>3</sub>	P2 <sub>2</sub>	P2 <sub>1</sub>	P2 <sub>0</sub>	P3 <sub>3</sub>	P3 <sub>2</sub>	P3 <sub>1</sub>	P3 <sub>0</sub>	High nibble: 2.digit (BCD) of part number Low nibble: 3.digit (BCD) of part number
3	P4 <sub>3</sub>	P4 <sub>2</sub>	P4 <sub>1</sub>	P4 <sub>0</sub>	P5 <sub>3</sub>	P5 <sub>2</sub>	P5 <sub>1</sub>	P5 <sub>0</sub>	High nibble: 4.digit (BCD) of part number Low nibble: 5.digit (BCD) of part number
4	0	0	1	0	1	1	0	1	ASCII character "-" (0x2D)
5	P6 <sub>3</sub>	P6 <sub>2</sub>	P6 <sub>1</sub>	P6 <sub>0</sub>	P7 <sub>3</sub>	P7 <sub>2</sub>	P7 <sub>1</sub>	P7 <sub>0</sub>	High nibble: 6.digit (BCD) of part number Low nibble: 7.digit (BCD) of part number
6	P8 <sub>3</sub>	P8 <sub>2</sub>	P8 <sub>1</sub>	P8 <sub>0</sub>	P9 <sub>3</sub>	P9 <sub>2</sub>	P9 <sub>1</sub>	P9 <sub>0</sub>	High nibble: 8.digit (BCD) of part number Low nibble: 9.digit (BCD) of part number
7	0	0	1	0	1	1	0	1	ASCII character "-"(0x2D)
8	P10 <sub>3</sub>	P10 <sub>2</sub>	P10 <sub>1</sub>	P10 <sub>0</sub>	P11 <sub>3</sub>	P11 <sub>2</sub>	P11 <sub>1</sub>	P11 <sub>0</sub>	High nibble: 10.digit (BCD) of part number Low nibble: 11.digit (BCD) of part number
9	P11 <sub>3</sub>	P11 <sub>2</sub>	P11 <sub>1</sub>	P11 <sub>0</sub>	P13 <sub>3</sub>	P13 <sub>2</sub>	P13 <sub>1</sub>	P13 <sub>0</sub>	High nibble: 12.digit (BCD) of part number Low nibble: 13.digit (BCD) of part number
10	r <sub>7</sub>	r <sub>6</sub>	r <sub>5</sub>	r <sub>4</sub>	r <sub>3</sub>	r <sub>2</sub>	r <sub>1</sub>	r <sub>0</sub>	Part number revision. Content of byte represents the ASCII character of the revision. Numbering sequence: "-", "A", "B", ....., "Z"
11	c <sub>7</sub>	c <sub>6</sub>	c <sub>5</sub>	c <sub>4</sub>	c <sub>3</sub>	c <sub>2</sub>	c <sub>1</sub>	c <sub>0</sub>	Cyclic Redundancy Check is performed on all preceding bytes and is generated from the polynomial: $x^8 + x^2 + x + 1$ , seed = 0xFF
(12)	0	0	0	0	1	1	0	1	<CR> only when <CR><LF> datagram termination have been chosen
(13)	0	0	0	0	1	0	1	0	<LF> only when <CR><LF> datagram termination have been chosen

**Table 6-7: Specification of the Serial Number datagram**

Byte#	Bit#								Specification
	7	6	5	4	3	2	1	0	
0	0	1	0	1	1	0	1	0	<b>Serial Number datagram identifier:</b> 0x5A for datagrams without CR+LF termination 0x5C for standard datagrams w.CR+LF
1	0	1	0	0	1	1	1	0	ASCII character for letter "N"
2	S1 <sub>3</sub>	S1 <sub>2</sub>	S1 <sub>1</sub>	S1 <sub>0</sub>	S2 <sub>3</sub>	S2 <sub>2</sub>	S2 <sub>1</sub>	S2 <sub>0</sub>	High nibble: 1.digit (BCD) of serial number Low nibble: 2.digit (BCD) of serial number
3	S3 <sub>3</sub>	S3 <sub>2</sub>	S3 <sub>1</sub>	S3 <sub>0</sub>	S4 <sub>3</sub>	S4 <sub>2</sub>	S4 <sub>1</sub>	S4 <sub>0</sub>	High nibble: 3.digit (BCD) of serial number Low nibble: 4.digit (BCD) of serial number
4	S5 <sub>3</sub>	S5 <sub>2</sub>	S5 <sub>1</sub>	S5 <sub>0</sub>	S6 <sub>3</sub>	S6 <sub>2</sub>	S6 <sub>1</sub>	S6 <sub>0</sub>	High nibble: 5.digit (BCD) of serial number Low nibble: 6.digit (BCD) of serial number
5	S7 <sub>3</sub>	S7 <sub>2</sub>	S7 <sub>1</sub>	S7 <sub>0</sub>	S8 <sub>3</sub>	S8 <sub>2</sub>	S8 <sub>1</sub>	S8 <sub>0</sub>	High nibble: 7.digit (BCD) of serial number Low nibble: 8.digit (BCD) of serial number
6	S9 <sub>3</sub>	S9 <sub>2</sub>	S9 <sub>1</sub>	S9 <sub>0</sub>	S10 <sub>3</sub>	S10 <sub>2</sub>	S10 <sub>1</sub>	S10 <sub>0</sub>	High nibble: 9.digit (BCD) of serial number Low nibble: 10.digit (BCD) of serial number
7	S11 <sub>3</sub>	S11 <sub>2</sub>	S11 <sub>1</sub>	S11 <sub>0</sub>	S11 <sub>3</sub>	S11 <sub>2</sub>	S11 <sub>1</sub>	S11 <sub>0</sub>	High nibble: 11.digit (BCD) of serial number Low nibble: 12.digit (BCD) of serial number
8	S13 <sub>3</sub>	S13 <sub>2</sub>	S13 <sub>1</sub>	S13 <sub>0</sub>	S14 <sub>3</sub>	S14 <sub>2</sub>	S14 <sub>1</sub>	S14 <sub>0</sub>	High nibble: 13.digit (BCD) of serial number Low nibble: 14.digit (BCD) of serial number
9	x	x	x	x	x	x	x	x	For future use.
10	x	x	x	x	x	x	x	x	For future use.
11	c <sub>7</sub>	c <sub>6</sub>	c <sub>5</sub>	c <sub>4</sub>	c <sub>3</sub>	c <sub>2</sub>	c <sub>1</sub>	c <sub>0</sub>	Cyclic Redundancy Check is performed on all preceding bytes and is generated from the polynomial: $x^8 + x^2 + x + 1$ , seed = 0xFF
(12)	0	0	0	0	1	1	0	1	<CR> only when <CR><LF> datagram termination have been chosen
(13)	0	0	0	0	1	0	1	0	<LF> only when <CR><LF> datagram termination have been chosen

**Table 6-8: Specification of the Configuration datagram**

Byte#	Bit#								Specification
	7	6	5	4	3	2	1	0	
0	0 0	0 0	1 1	0 0	1 1	0 0	0 1	0 1	<b>Configuration datagram identifier:</b> 0x28 for datagrams without CR+LF termination 0x2B for standard datagrams w.CR+LF
1	r <sub>7</sub>	r <sub>6</sub>	r <sub>5</sub>	r <sub>4</sub>	r <sub>3</sub>	r <sub>2</sub>	r <sub>1</sub>	r <sub>0</sub>	Part number revision. Content of byte represents the ASCII character of the revision. Numbering sequence: "-", "A", "B", ..., "Z"
2	f <sub>7</sub>	f <sub>6</sub>	f <sub>5</sub>	f <sub>4</sub>	f <sub>3</sub>	f <sub>2</sub>	f <sub>1</sub>	f <sub>0</sub>	Firmware revision. Numbering sequence: 0, 1, ..., 255
3	h <sub>7</sub>	h <sub>6</sub>	h <sub>5</sub>	h <sub>4</sub>	h <sub>3</sub>	h <sub>2</sub>	h <sub>1</sub>	h <sub>0</sub>	Hardware revision. Numbering sequence: 0, 1, ..., 255
4	0	x	x	x	x	x	x	x	<b>System configuration, Byte 1:</b> Z axis is inactive
	1	x	x	x	x	x	x	x	Z axis is active
	x	1	0	0	x	x	x	x	LP filter -3dB frequency for Z axis = 262Hz
	x	0	1	1	x	x	x	x	LP filter -3dB frequency for Z axis = 131Hz
	x	0	1	0	x	x	x	x	LP filter -3dB frequency for Z axis = 66Hz
	x	0	0	1	x	x	x	x	LP filter -3dB frequency for Z axis = 33Hz
	x	0	0	0	x	x	x	x	LP filter -3dB frequency for Z axis = 16Hz
	x	x	x	x	0	x	x	x	Y-axis is inactive
	x	x	x	x	1	x	x	x	Y-axis is active
	x	x	x	x	x	1	0	0	LP filter -3dB frequency for Y axis = 262Hz
	x	x	x	x	x	0	1	1	LP filter -3dB frequency for Y axis = 131Hz
	x	x	x	x	x	0	1	0	LP filter -3dB frequency for Y axis = 66Hz
	x	x	x	x	x	0	0	1	LP filter -3dB frequency for Y axis = 33Hz
x	x	x	x	x	0	0	0	LP filter -3dB frequency for Y axis = 16Hz	
5	0	x	x	x	x	x	x	x	<b>System configuration, Byte 2:</b> X-axis is inactive
	1	x	x	x	x	x	x	x	X-axis is active
	x	1	0	0	x	x	x	x	LP filter -3dB frequency for X axis = 262Hz
	x	0	1	1	x	x	x	x	LP filter -3dB frequency for X axis = 131Hz
	x	0	1	0	x	x	x	x	LP filter -3dB frequency for X axis = 66Hz
	x	0	0	1	x	x	x	x	LP filter -3dB frequency for X axis = 33Hz
	x	0	0	0	x	x	x	x	LP filter -3dB frequency for X axis = 16Hz
	x	x	x	x	1	0	1	x	Sample rate = External trigger
	x	x	x	x	1	0	0	x	Sample rate = 2000 samples/s
	x	x	x	x	0	1	1	x	Sample rate = 1000 samples/s
	x	x	x	x	0	1	0	x	Sample rate = 500 samples/s
	x	x	x	x	0	0	1	x	Sample rate = 250 samples/s
	x	x	x	x	0	0	0	x	Sample rate = 125 samples/s
x	x	x	x	x	x	x	0	Output unit = ANGULAR RATE	
x	x	x	x	x	x	x	1	Output unit = other than ANGULAR RATE (ref. byte#8)	
6	0	x	x	x	x	x	x	x	<b>System configuration, Byte 3:</b> Datagram format = STANDARD
	1	x	x	x	x	x	x	x	Datagram format = other than STANDARD (ref. byte#8)
	x	0	1	1	x	x	x	x	Bit-rate = 1843200 bits/s
	x	0	1	0	x	x	x	x	Bit-rate = 921600 bits/s
	x	0	0	1	x	x	x	x	Bit-rate = 460800 bits/s
	x	0	0	0	x	x	x	x	Bit-rate = 374400 bits/s
	x	1	1	1	x	x	x	x	Bit-rate = User-defined, ref.section 10.5
	x	x	x	x	0	x	x	x	Stop-bit = 1
	x	x	x	x	1	x	x	x	Stop-bits = 2
	x	x	x	x	x	0	0	x	Parity = none
	x	x	x	x	x	0	1	x	Parity = even
	x	x	x	x	x	1	0	x	Parity = odd
	x	x	x	x	x	x	x	0	Line termination = OFF
x	x	x	x	x	x	x	1	Line termination = ON	
7	S <sub>7</sub>	S <sub>6</sub>	S <sub>5</sub>	S <sub>4</sub>	S <sub>3</sub>	S <sub>2</sub>	S <sub>1</sub>	S <sub>0</sub>	STATUS byte. Ref. Table 6-13 for specification of the STATUS byte.
8	0	0	0	0	x	x	x	x	<b>System configuration, Byte 4:</b> Output unit = ANGULAR RATE
	0	0	0	1	x	x	x	x	Output unit = INCREMENTAL ANGLE
	0	0	1	0	x	x	x	x	Output unit = AVERAGE ANGULAR RATE
	0	0	1	1	x	x	x	x	Output unit = INTEGRATED ANGLE
	x	x	x	x	0	0	0	0	Datagram format = Standard
	x	x	x	x	0	0	0	1	Datagram format = Extended
	x	x	x	x	0	0	1	1	Datagram format = Rate and temperature,
	x	x	x	x	0	1	0	0	Datagram format = Rate and counter,
	x	x	x	x	0	1	0	1	Datagram format = Rate and latency
	x	x	x	x	0	1	1	0	Datagram format = Rate, counter and latency
	x	x	x	x	0	1	1	1	Datagram format = Rate, temperature and counter
	x	x	x	x	1	0	0	0	Datagram format = Rate, temperature and latency
	x	x	x	x	1	0	0	1	Datagram format = Rate, temperature, counter and latency

Byte#	Bit#								Specification
	7	6	5	4	3	2	1	0	
9	0	0	0	0	x	x	x	x	High nibble: Gyro range, x-axis - 400°/s
	x	x	x	x	0	0	0	0	Low nibble: Gyro range, y-axis - 400°/s
10	0	0	0	0	x	x	x	x	High nibble: Gyro range, z-axis - 400°/s
11	C <sub>7</sub>	C <sub>6</sub>	C <sub>5</sub>	C <sub>4</sub>	C <sub>3</sub>	C <sub>2</sub>	C <sub>1</sub>	C <sub>0</sub>	Cyclic Redundancy Check is performed on all preceding bytes and is generated from the polynomial: $x^8 + x^2 + x + 1$ , seed = 0xFF
(12)	0	0	0	0	1	1	0	1	<CR> only when <CR><LF> datagram termination have been chosen
(13)	0	0	0	0	1	0	1	0	<LF> only when <CR><LF> datagram termination have been chosen

**Table 6-9: Specification of the Extended Error Information datagram**

Byte#	Bit#								Specification
	7	6	5	4	3	2	1	0	
0	0	0	1	0	1	1	1	0	<b>Extended Error Information datagram identifier:</b> 0x2E for datagrams without CR+LF termination 0x2F for datagrams with CR+LF termination
	0	0	1	0	1	1	1	1	
1	E <sub>79</sub>	E <sub>78</sub>	E <sub>77</sub>	E <sub>76</sub>	E <sub>75</sub>	E <sub>74</sub>	E <sub>73</sub>	E <sub>72</sub>	Ref. Table 6-10
2	E <sub>71</sub>	E <sub>70</sub>	E <sub>69</sub>	E <sub>68</sub>	E <sub>67</sub>	E <sub>66</sub>	E <sub>65</sub>	E <sub>64</sub>	Ref. Table 6-10
3	E <sub>63</sub>	E <sub>62</sub>	E <sub>61</sub>	E <sub>60</sub>	E <sub>59</sub>	E <sub>58</sub>	E <sub>57</sub>	E <sub>56</sub>	Ref. Table 6-10
4	E <sub>55</sub>	E <sub>54</sub>	E <sub>53</sub>	E <sub>52</sub>	E <sub>51</sub>	E <sub>50</sub>	E <sub>49</sub>	E <sub>48</sub>	Ref. Table 6-10
5	E <sub>47</sub>	E <sub>46</sub>	E <sub>45</sub>	E <sub>44</sub>	E <sub>43</sub>	E <sub>42</sub>	E <sub>41</sub>	E <sub>40</sub>	Ref. Table 6-10
6	E <sub>39</sub>	E <sub>38</sub>	E <sub>37</sub>	E <sub>36</sub>	E <sub>35</sub>	E <sub>34</sub>	E <sub>33</sub>	E <sub>32</sub>	Ref. Table 6-10
7	E <sub>31</sub>	E <sub>30</sub>	E <sub>29</sub>	E <sub>28</sub>	E <sub>27</sub>	E <sub>26</sub>	E <sub>25</sub>	E <sub>24</sub>	Ref. Table 6-10
8	E <sub>23</sub>	E <sub>22</sub>	E <sub>21</sub>	E <sub>20</sub>	E <sub>19</sub>	E <sub>18</sub>	E <sub>17</sub>	E <sub>16</sub>	Ref. Table 6-10
9	E <sub>15</sub>	E <sub>14</sub>	E <sub>13</sub>	E <sub>12</sub>	E <sub>11</sub>	E <sub>10</sub>	E <sub>9</sub>	E <sub>8</sub>	Ref. Table 6-10
10	E <sub>7</sub>	E <sub>6</sub>	E <sub>5</sub>	E <sub>4</sub>	E <sub>3</sub>	E <sub>2</sub>	E <sub>1</sub>	E <sub>0</sub>	Ref. Table 6-10
11	C <sub>7</sub>	C <sub>6</sub>	C <sub>5</sub>	C <sub>4</sub>	C <sub>3</sub>	C <sub>2</sub>	C <sub>1</sub>	C <sub>0</sub>	Cyclic Redundancy Check is performed on all preceding bytes and is generated from the polynomial: $x^8 + x^2 + x + 1$ , seed = 0xFF
(12)	0	0	0	0	1	1	0	1	<CR> If datagram termination has been selected
(13)	0	0	0	0	1	0	1	0	<LF> If datagram termination has been selected

**Table 6-10: Specification of the Extended Error Information**

Bit#	Specification	Bit#	Specification	Bit#	Specification	Bit#	Specification
E <sub>79</sub>	For future use (=0)	E <sub>78</sub>	For future use (=0)	E <sub>77</sub>	For future use (=0)	E <sub>76</sub>	For future use (=0)
E <sub>75</sub>	For future use (=0)	E <sub>74</sub>	For future use (=0)	E <sub>73</sub>	For future use (=0)	E <sub>72</sub>	For future use (=0)
E <sub>71</sub>	For future use (=0)	E <sub>70</sub>	For future use (=0)	E <sub>69</sub>	For future use (=0)	E <sub>68</sub>	GYRO Z: Config,error
E <sub>67</sub>	GYRO Y: Config,error	E <sub>66</sub>	GYRO X: Config,error	E <sub>65</sub>	µC temperature failure	E <sub>64</sub>	GYRO Z: ASIC temp.dev.
E <sub>63</sub>	GYRO Y: ASIC temp.dev	E <sub>62</sub>	GYRO X: ASIC temp.dev	E <sub>61</sub>	GYRO Z: Temp.deviation	E <sub>60</sub>	GYRO Y: Temp.deviation
E <sub>59</sub>	GYRO X: Temp.deviation	E <sub>58</sub>	Self-test not running	E <sub>57</sub>	UART unable to transmit	E <sub>56</sub>	GYRO Z: data missing
E <sub>55</sub>	GYRO Y: Data missing	E <sub>54</sub>	GYRO X: Data missing	E <sub>53</sub>	Transmit stack warning	E <sub>52</sub>	Flash stack warning
E <sub>51</sub>	Sample stack warning	E <sub>50</sub>	Command stack warning	E <sub>49</sub>	Monitor stack warning	E <sub>48</sub>	Internal DAC error
E <sub>47</sub>	Supply overvoltage	E <sub>46</sub>	Flash check error	E <sub>45</sub>	RAM check error	E <sub>44</sub>	GYRO Z: Data lost
E <sub>43</sub>	GYRO Z: Exc.ampl.error	E <sub>42</sub>	GYRO Z: Int.comm.error	E <sub>41</sub>	For future use (=0)	E <sub>40</sub>	For future use (=0)
E <sub>39</sub>	GYRO Z: ASIC overflow, I	E <sub>38</sub>	GYRO Z: ASIC overflow, Q	E <sub>37</sub>	GYRO Y: Data lost	E <sub>36</sub>	GYRO Y: Exc.ampl.error
E <sub>35</sub>	GYRO Y: Int.comm.error	E <sub>34</sub>	For future use (=0)	E <sub>33</sub>	For future use (=0)	E <sub>32</sub>	GYRO Y: ASIC overflow, I
E <sub>31</sub>	GYRO Y: ASIC overflow, Q	E <sub>30</sub>	GYRO X: Data lost	E <sub>29</sub>	GYRO X: Exc.ampl.error	E <sub>28</sub>	GYRO X: Int.comm.error
E <sub>27</sub>	For future use (=0)	E <sub>26</sub>	For future use (=0)	E <sub>25</sub>	GYRO X: ASIC overflow, I	E <sub>24</sub>	GYRO X: ASIC overflow, Q
E <sub>23</sub>	Regulated voltage#3 error	E <sub>22</sub>	Regulated voltage#2 error	E <sub>21</sub>	Regulated voltage#1 error	E <sub>20</sub>	Supply voltage error
E <sub>19</sub>	Reference voltage#3 error	E <sub>18</sub>	Reference voltage#2 error	E <sub>17</sub>	Reference voltage#1 error	E <sub>16</sub>	Start-up phase active
E <sub>15</sub>	GYRO Z: Int.comm.error	E <sub>14</sub>	GYRO Y: Int.comm.error	E <sub>13</sub>	GYRO X: Int.comm.error	E <sub>12</sub>	GYRO Z: Clipped
E <sub>11</sub>	GYRO Y: Clipped	E <sub>10</sub>	GYRO X: Clipped	E <sub>9</sub>	TEMP GYRO Z: Error	E <sub>8</sub>	TEMP GYRO Y: Error
E <sub>7</sub>	TEMP GYRO X: Error	E <sub>6</sub>	GYRO Z: ASIC temp.error	E <sub>5</sub>	GYRO Y: ASIC temp.error	E <sub>4</sub>	GYRO X: ASIC temp.error
E <sub>3</sub>	µC temperature error	E <sub>2</sub>	GYRO Z: Exc.freq.error	E <sub>1</sub>	GYRO Y: Exc.freq.error	E <sub>0</sub>	GYRO X: Exc.freq.error

**Table 6-11: Specification of the Normal Mode datagram**

Byte#									Bit#								Specification
Standard datagram	Extended datagram	Rate and temperature	Rate and counter	Rate and latency	Rate, counter and latency	Rate, temperature and counter	Rate, temperature and latency	Rate, temperature, counter and latency	7	6	5	4	3	2	1	0	
0	0	0	0	0	0	0	0	0	1	0	0	1	0	0	0	0	<b>Normal Mode datagram identifier:</b> 0x90 standard datagram 0x92 extended datagram 0xA0 datagram with rate and temperature 0xA2 datagram with rate and counter 0xA4 datagram with rate and latency 0xA5 datagram with rate, counter and latency 0x99 datagram with rate, temperature and counter 0xA6 datagram with rate, temperature and latency 0xA8 datagram with rate, temperature, counter and latency
1	1	1	1	1	1	1	1	1	X <sub>23</sub>	X <sub>22</sub>	X <sub>21</sub>	X <sub>20</sub>	X <sub>19</sub>	X <sub>18</sub>	X <sub>17</sub>	X <sub>16</sub>	X axis gyro output. Ref. section 8.4.2.2 for conversion to units
2	2	2	2	2	2	2	2	2	X <sub>15</sub>	X <sub>14</sub>	X <sub>13</sub>	X <sub>12</sub>	X <sub>11</sub>	X <sub>10</sub>	X <sub>9</sub>	X <sub>8</sub>	
3	3	3	3	3	3	3	3	3	X <sub>7</sub>	X <sub>6</sub>	X <sub>5</sub>	X <sub>4</sub>	X <sub>3</sub>	X <sub>2</sub>	X <sub>1</sub>	X <sub>0</sub>	
4	4	4	4	4	4	4	4	4	Y <sub>23</sub>	Y <sub>22</sub>	Y <sub>21</sub>	Y <sub>20</sub>	Y <sub>19</sub>	Y <sub>18</sub>	Y <sub>17</sub>	Y <sub>16</sub>	Y axis gyro output. Ref. section 8.4.2.2 for conversion to units
5	5	5	5	5	5	5	5	5	Y <sub>15</sub>	Y <sub>14</sub>	Y <sub>13</sub>	Y <sub>12</sub>	Y <sub>11</sub>	Y <sub>10</sub>	Y <sub>9</sub>	Y <sub>8</sub>	
6	6	6	6	6	6	6	6	6	Y <sub>7</sub>	Y <sub>6</sub>	Y <sub>5</sub>	Y <sub>4</sub>	Y <sub>3</sub>	Y <sub>2</sub>	Y <sub>1</sub>	Y <sub>0</sub>	
7	7	7	7	7	7	7	7	7	Z <sub>23</sub>	Z <sub>22</sub>	Z <sub>21</sub>	Z <sub>20</sub>	Z <sub>19</sub>	Z <sub>18</sub>	Z <sub>17</sub>	Z <sub>16</sub>	Z axis gyro output. Ref. section 8.4.2.2 for conversion to units
8	8	8	8	8	8	8	8	8	Z <sub>15</sub>	Z <sub>14</sub>	Z <sub>13</sub>	Z <sub>12</sub>	Z <sub>11</sub>	Z <sub>10</sub>	Z <sub>9</sub>	Z <sub>8</sub>	
9	9	9	9	9	9	9	9	9	Z <sub>7</sub>	Z <sub>6</sub>	Z <sub>5</sub>	Z <sub>4</sub>	Z <sub>3</sub>	Z <sub>2</sub>	Z <sub>1</sub>	Z <sub>0</sub>	
10	10	10	10	10	10	10	10	10	S <sub>7</sub>	S <sub>6</sub>	S <sub>5</sub>	S <sub>4</sub>	S <sub>3</sub>	S <sub>2</sub>	S <sub>1</sub>	S <sub>0</sub>	STATUS byte. Ref. Table 6-13 for specification of this byte.
N/A	11	N/A	N/A	N/A	N/A	N/A	N/A	N/A	x	x	x	x	x	x	x	x	For future use.
N/A	12	N/A	N/A	N/A	N/A	N/A	N/A	N/A	x	x	x	x	x	x	x	x	For future use.
N/A	13	N/A	N/A	N/A	N/A	N/A	N/A	N/A	x	x	x	x	x	x	x	x	For future use.
N/A	N/A	11	N/A	N/A	N/A	11	11	11	TX <sub>15</sub>	TX <sub>14</sub>	TX <sub>13</sub>	TX <sub>12</sub>	TX <sub>11</sub>	TX <sub>10</sub>	TX <sub>9</sub>	TX <sub>8</sub>	X axis temperature data. Ref. section 8.4.2.2.5 for conversion to units
N/A	N/A	12	N/A	N/A	N/A	12	12	12	TX <sub>7</sub>	TX <sub>6</sub>	TX <sub>5</sub>	TX <sub>4</sub>	TX <sub>3</sub>	TX <sub>2</sub>	TX <sub>1</sub>	TX <sub>0</sub>	
N/A	N/A	13	N/A	N/A	N/A	13	13	13	TY <sub>15</sub>	TY <sub>14</sub>	TY <sub>13</sub>	TY <sub>12</sub>	TY <sub>11</sub>	TY <sub>10</sub>	TY <sub>9</sub>	TY <sub>8</sub>	Y axis temperature data. Ref. section 8.4.2.2.5 for conversion to units
N/A	N/A	14	N/A	N/A	N/A	14	14	14	TY <sub>7</sub>	TY <sub>6</sub>	TY <sub>5</sub>	TY <sub>4</sub>	TY <sub>3</sub>	TY <sub>2</sub>	TY <sub>1</sub>	TY <sub>0</sub>	
N/A	N/A	15	N/A	N/A	N/A	15	15	15	TZ <sub>15</sub>	TZ <sub>14</sub>	TZ <sub>13</sub>	TZ <sub>12</sub>	TZ <sub>11</sub>	TZ <sub>10</sub>	TZ <sub>9</sub>	TZ <sub>8</sub>	Z axis temperature data. Ref. section 8.4.2.2.5 for conversion to units
N/A	N/A	16	N/A	N/A	N/A	16	16	16	TZ <sub>7</sub>	TZ <sub>6</sub>	TZ <sub>5</sub>	TZ <sub>4</sub>	TZ <sub>3</sub>	TZ <sub>2</sub>	TZ <sub>1</sub>	TZ <sub>0</sub>	
N/A	N/A	N/A	11	N/A	11	17	N/A	17	n <sub>7</sub>	n <sub>6</sub>	n <sub>5</sub>	n <sub>4</sub>	n <sub>3</sub>	n <sub>2</sub>	n <sub>1</sub>	n <sub>0</sub>	Counter. Ref. section 8.4.2.2.6
N/A	N/A	N/A	N/A	11	12	N/A	17	18	l <sub>15</sub>	l <sub>14</sub>	l <sub>13</sub>	l <sub>12</sub>	l <sub>11</sub>	l <sub>10</sub>	l <sub>9</sub>	l <sub>8</sub>	Latency. Ref. section 8.4.2.2.7 for conversion to units.
N/A	N/A	N/A	N/A	12	13	N/A	18	19	l <sub>7</sub>	l <sub>6</sub>	l <sub>5</sub>	l <sub>4</sub>	l <sub>3</sub>	l <sub>2</sub>	l <sub>1</sub>	l <sub>0</sub>	
11	14	17	12	13	14	18	19	20	C <sub>7</sub>	C <sub>6</sub>	C <sub>5</sub>	C <sub>4</sub>	C <sub>3</sub>	C <sub>2</sub>	C <sub>1</sub>	C <sub>0</sub>	Cyclic Redundancy Check is performed on all preceding bytes and is generated from the polynomial: $x^8 + x^2 + x + 1$ , seed = 0xFF
(12)	(15)	(18)	(13)	(14)	(15)	(19)	(20)	(21)	0	0	0	0	1	1	0	1	<CR> only when <CR><LF> datagram termination have been chosen
(13)	(16)	(19)	(14)	(15)	(16)	(20)	(21)	(22)	0	0	0	0	1	0	1	0	<LF> only when <CR><LF> datagram termination have been chosen

**Table 6-12: Maximum sample rate**

	Number of transmitted bytes <sup>Note 1</sup>	374400 bits/s <sup>Note 2</sup>	460800 bits/s <sup>Note 2</sup>	921600 bits/s <sup>Note 2</sup>	1843200 bits/s <sup>Note 2</sup>
Standard datagram	12	2000	2000	2000	2000
Extended datagram	15	1000	2000	2000	2000
Rate and temperature	18	1000	1000	2000	2000
Rate and counter	13	2000	2000	2000	2000
Rate and latency	14	1000	2000	2000	2000
Rate, counter and latency	15	1000	2000	2000	2000
Rate, temperature and counter	19	1000	1000	2000	2000
Rate, temperature and latency	20	1000	1000	2000	2000
Rate, temperature, counter and latency	21	1000	1000	2000	2000

Note 1: excluding<CR><LF> termination

Note 2: 10 bits/byte (=1 start bit, 8 data bits, no parity bit, 1 stop bit)

### 6.4 Status byte

**Table 6-13: Interpretation of bits in STATUS byte**

Bit	STATUS bit information	Comment
7	0=OK, 1=System integrity error	
6	0=OK, 1=Start-Up	
5	0=OK, 1=Outside operating conditions	
4	0=OK, 1=Overload	Bits 0-2 will flag the overload channel(s) Bits 0-2 will flag the error channel(s)
3	0=OK, 1=Error in gyro channel	
2	0=OK, 1=Z channel	
1	0=OK, 1=Y channel	
0	0=OK, 1=X channel	

Refer to section 8.5 for more information related to the self-diagnostics of STIM277H.

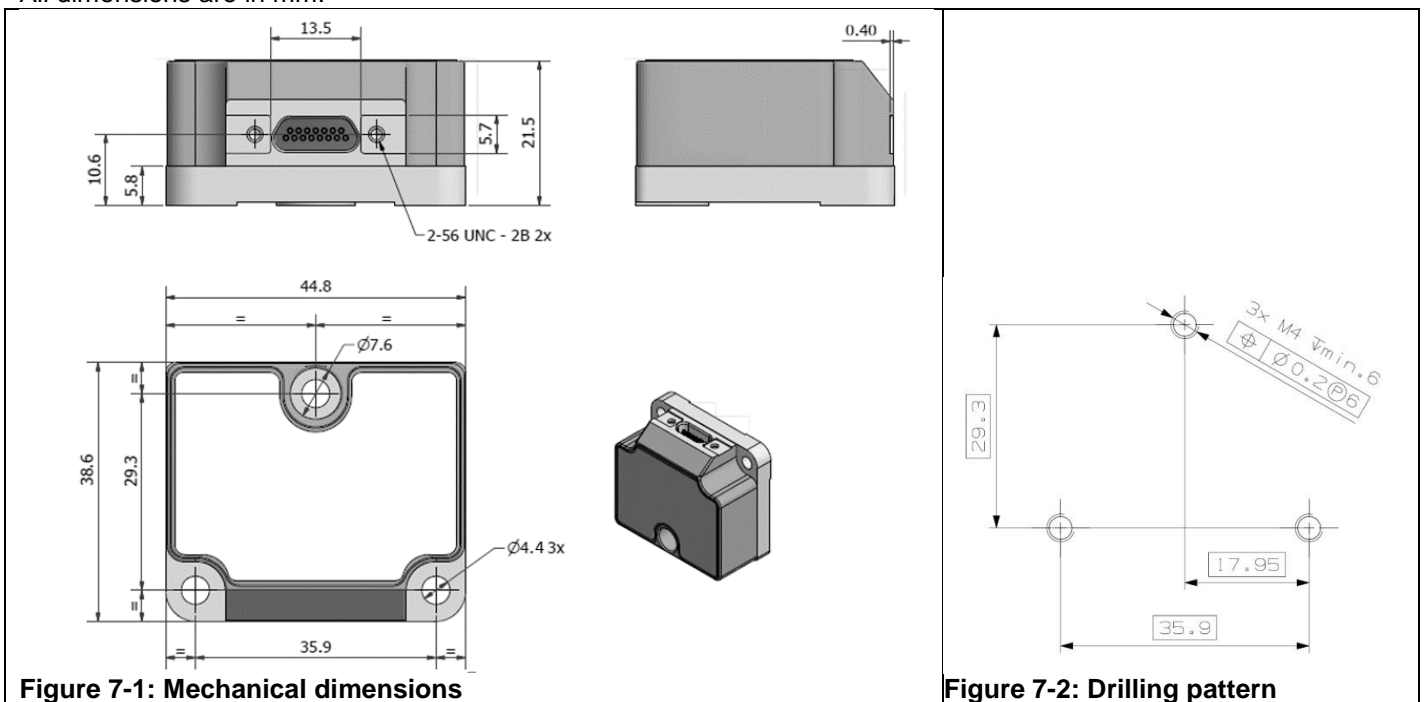
### 7 MECHANICAL

**Table 7-1: Mechanical specifications**

Parameter	Conditions	Min	Nom	Max	Unit	Note
<b>HOUSING MATERIAL</b>		Aluminium, Alloy 6082-T6, DIN EN 754-2 Alloy 4047 (lid)				
<b>SURFACE TREATMENT</b> Passivation		RoHS-compliant				
<b>WEIGHT</b>			52		grams	
<b>VOLUME</b>			32.6		ccm	
			1.99		cu in	
<b>DUST AND HUMIDITY CLASSIFICATION</b>		IP67				
<b>CONNECTOR</b> Type Number of pins Contact type		Micro-D 15 female				
<b>PLUG</b> Proposed plug to fit connector Proposed cover to fit plug	For best EMI performance	Axon MDA 2 15 P Axon micro-D EMI backshell				
<b>FIXATION BOLTS</b>  Recommended torque	Steel base Aluminium base	M4 ISO 4762 / DIN 912 3.5 3.0			Nm Nm	

#### 7.1 Mechanical dimensions

All dimensions are in mm.



**Figure 7-1: Mechanical dimensions**

**Figure 7-2: Drilling pattern**



### 7.2 Advice on mounting orientation

The gyros are sensitive to acceleration-forces in certain directions:

- X- and Y-gyros have their highest sensitivity to acceleration-forces in Z-direction
- Z-gyro has its highest sensitivity to acceleration-forces in Y-direction
- X-gyro has its lowest sensitivity to acceleration-forces in X-direction
- Y-gyro has its lowest sensitivity to acceleration-forces in Y-direction
- Z-gyro has its lowest sensitivity to acceleration-forces in Z-direction

### 7.3 Pin configuration

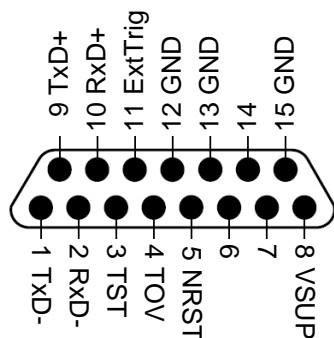


Figure 7-3: Pin configuration as seen from front of STIM277H

Table 7-2: Pin descriptions

Pin#	Label	Type	Description
1	TxD-	OUTPUT	RS422 negative output
2	RxD-	INPUT	RS422 negative input
3	TST	OUTPUT	Test pin: Do not connect
4	TOV	OUTPUT	Time of Validity (if not in use, leave floating)
5	NRST	INPUT	Reset (if not in use, connect to VSUP or leave floating)
6			Not connected
7			Not connected
8	VSUP	SUPPLY	Power supply (+5V)
9	TxD+	OUTPUT	RS422 positive output
10	RxD+	INPUT	RS422 positive input
11	ExtTrig	INPUT	External trigger (if not in use, connect to VSUP or leave floating)
12	GND	INPUT	Test pin: Connect to ground (0V)
13	GND	INPUT	Test pin: Connect to ground (0V)
14			Not connected
15	GND	SUPPLY	Power ground (0V)

### 7.4 Definition of axes

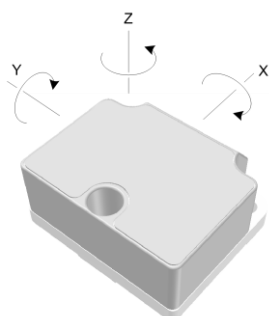
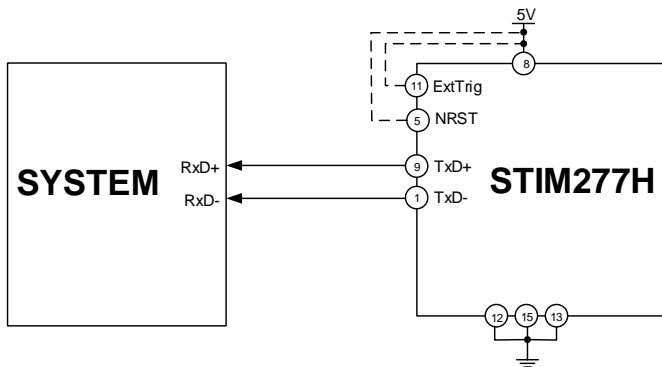


Figure 7-4: Definition of axes

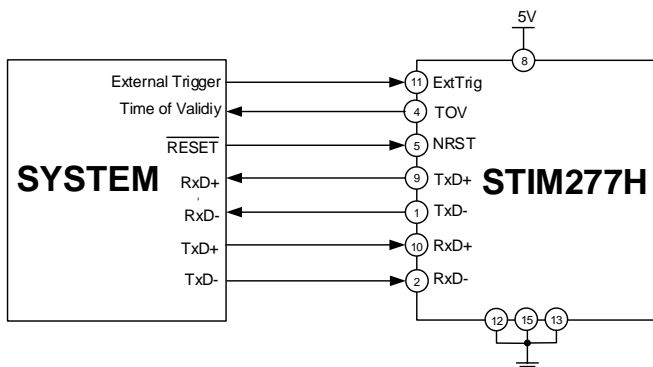
### 8 BASIC OPERATION

STIM277H is very simple to use. Unless having been configured to external trigger, the unit will start performing measurements and transmit the results over the RS422 interface without any need for additional signalling or set-up after power-on. Figure 8-1 shows the simplest connection set-up for STIM277H.



**Figure 8-1: Transmit-Only Electrical Connection Diagram**

In order to take full advantage of all features of STIM277H, the unit needs to be connected as shown in Figure 8-2. In this set-up the system can reset the unit without having to toggle power, the external trigger function can be utilized, configuration parameters can be changed and extended information like diagnostic information can be read from the device.



**Figure 8-2: Full Function Electrical Connection Diagram**

#### 8.1 Reset

STIM277H has a separate reset pin (NRST) in order for the application to reset the unit without having to toggle power.

The reset is active low and has an internal pull-up. Hence the input could be left floating if not in use.

The reset signal is routed to the reset of the microcontroller and effectively forces STIM277H into Init Mode (ref. Figure 8-6 and section 8.4.1).

## 8.2 External Trigger

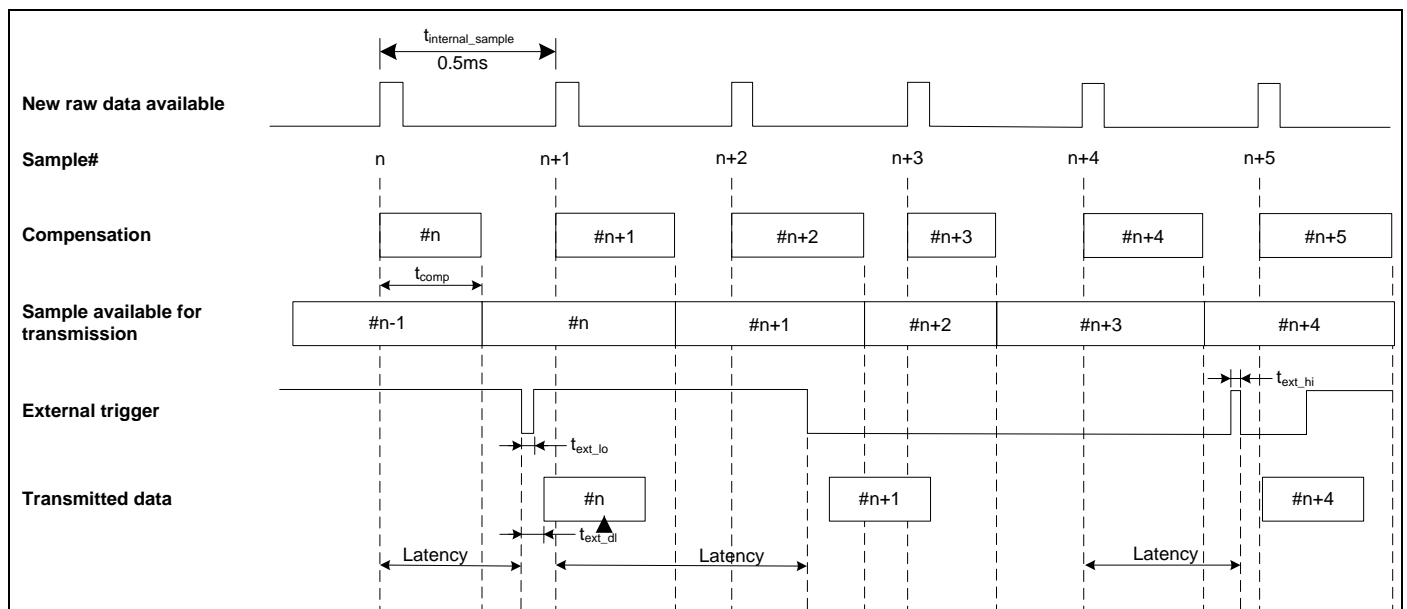
STIM277H has a separate digital input pin to be used when the unit has been configured to transmit only upon external trigger. The measurements themselves will be continuously running at the highest sample rate (2000 samples/s) in order to ensure shortest possible latency when a transmission is requested. The input is set to trigger on the falling edge of the input signal and will then transmit one datagram containing the result of the latest measurement.

The input has an internal pull-up. Hence the input could be left floating if not in use.

Note that when requesting one of the special Normal Mode datagrams, ref. section 9, the datagram will be transmitted at the next external trigger input, replacing the datagram containing sensor data. If several requests for special datagrams are issued prior to an external trigger, it will be the last requested special datagram that will be transmitted.

When STIM277H is in Init Mode (after Power on or Reset), it will transmit the 3 special datagrams as described in section 8.4.1 regardless of external input.

The timing diagram is shown in Figure 8-3. Latency is the time between the moment at which the sample has been digitized + low pass-filtered and the receipt of the external trigger.



**Figure 8-3: Timing of external trigger**

### 8.3 Time of Validity (TOV)

The TOV-output serves 2 purposes:

- Provide a synchronization-signal derived from the internal clock of STIM277H
- Provide means to signal when a datagram is being transmitted (NB: not when configured to external trigger)

The TOV falling edge occurs synchronous to the sample rate. The raising edge occurs after the last bit of the datagram has been transmitted.

Figure 8-4 and Figure 8-5 show the timing diagram of the TOV-output.

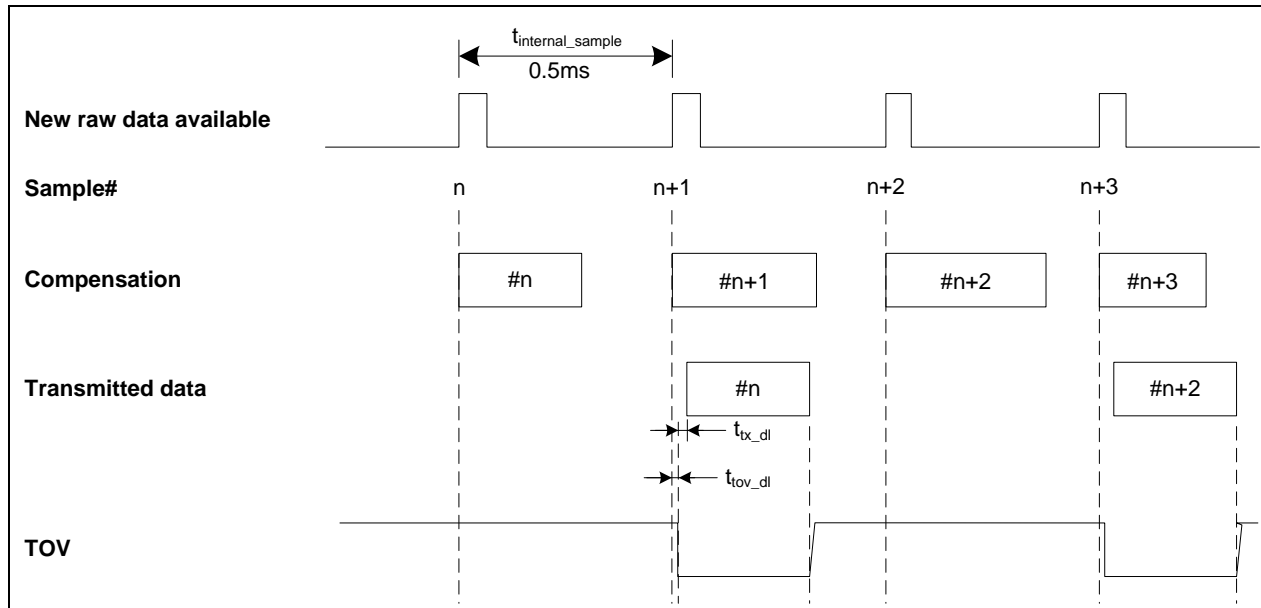


Figure 8-4: Timing of TOV (example: sample rate = 1000samples/s)

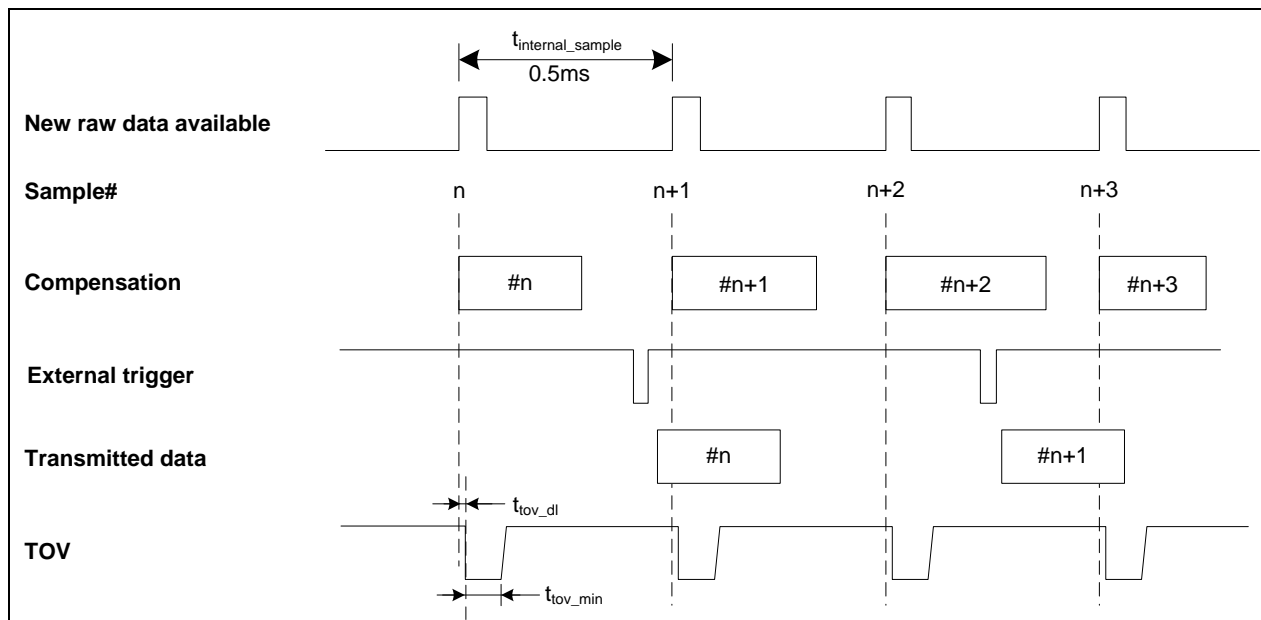
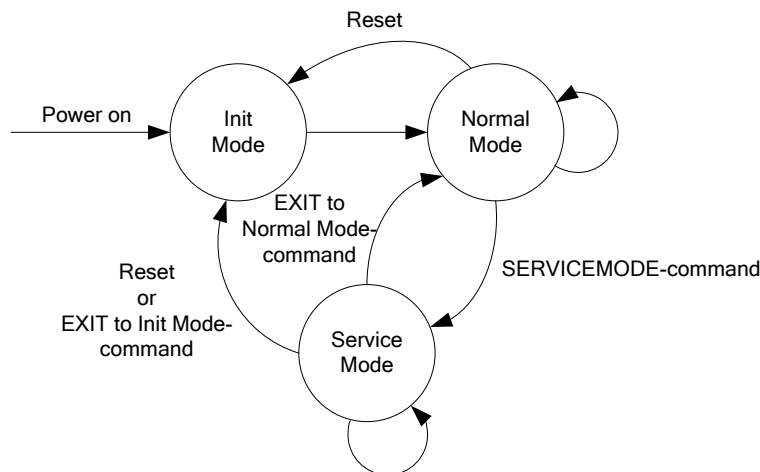


Figure 8-5: Timing of TOV with external trigger

### 8.4 Operating modes

The operating modes of STIM277H are shown in Figure 8-6:



**Figure 8-6: Operating modes**

#### 8.4.1 Init Mode

Init Mode is entered after the following conditions:

- power on
- after an external reset
- when receiving a reset-command in Normal Mode
- when exiting to Init Mode from Service Mode.

In Init Mode the system waits for internal references to settle, resets and synchronizes the sensor channels and transmits three special datagrams containing part number, serial number and configuration data. Please note that length and format of the special datagrams are different to the datagrams in Normal Mode.

Table 6-6 specifies the sequence and contents of the Part Number datagram.

Table 6-7 specifies the sequence and contents of the Serial Number datagram.

Table 6-8 specifies the sequence and contents of the Configuration datagram.

After having transmitted the special Part Number, Serial Number and Configuration datagrams, STIM277H enters Normal Mode. All these special datagrams can also be requested by commands in Normal Mode, ref. section 9.

#### 8.4.2 Normal Mode

In Normal Mode STIM277H will constantly measure the gyro channels at an internal sample rate of 2000 samples/s and transmit at the chosen sample rate, alternatively when receiving an external trigger. STIM277H will transmit data regardless of any errors reported in the STATUS byte (ref. Table 6-13). Hence the content of the STATUS byte should continuously be examined.

Table 6-11 specifies the sequence and contents of the datagrams transmitted in Normal Mode.

##### 8.4.2.1 Start-Up

When STIM277H enters Normal Mode from Init Mode, there will be a start-up period where STIM277H is stabilizing the gyros. This is a fixed period as specified in Table 6-2 and bit 6 is set in the STATUS byte (ref. Table 6-13) to communicate this condition. During the start-up period STIM277H will continuously sample, compensate and output data. However the data should not be regarded valid until bit 6 in STATUS byte is cleared.

There will not be any start-up period when STIM277H is exiting from Service Mode directly to Normal Mode.

### 8.4.2.2 Data output options and interpretation

The gyros in STIM277H measure angular rate [°/s]. However, in order to make the STIM277H more versatile, a few simple functions are offered, ref. Table 8-1:

**Table 8-1: Implemented functions for gyro output units**

Function	Description of function	Equation	Output unit
Incremental	Adds all internal samples between two transmissions multiplied by the time between internal samples	$Incremental = \sum_{i=1}^n AngularRate_i \cdot \frac{1}{2000} s$ $n = 2000 / \text{sample rate}$	[°]
Average	Calculates the average of the internal samples between two transmissions	$Average = \frac{1}{n} \cdot \sum_{i=1}^n AngularRate_i$ $n = 2000 / \text{sample rate}$	[°/s]
Integrated	Adds all internal samples multiplied by the time between internal samples since start-up / last reset. Note that the result takes values in the interval [-4°, 4°] and will naturally wrap-around with no error-message indication in the Status-byte	$Integrated = \sum_{i=1}^n AngularRate_i \cdot \frac{1}{2000} s$ $n = \text{internal samples (at a rate of 2000 samples/s) since start-up or last reset}$	[°]

#### 8.4.2.2.1 Angular Rate

Angular Rate is available in all datagrams when STIM277H has been configured to output angular rate. The transmitted data will be the last internal sample. E.g. in the case of continuous transmission of datagrams and a sample rate of 250 samples/s, every 8<sup>th</sup> internally sample will be transmitted.

Equation 1 and Figure 8-7 show how to convert to [°/s]. Note that the output data is represented as two's complement.

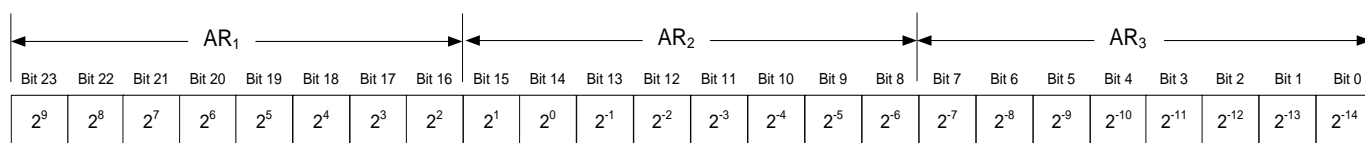
#### Equation 1: Converting output to [°/s]:

$$Output[°/s] = \frac{(AR_1) \cdot 2^{16} + (AR_2) \cdot 2^8 + (AR_3)}{2^{14}}$$

where AR<sub>1</sub> is the most significant byte of the 24bit output

AR<sub>2</sub> is the middle byte of the 24bit output

AR<sub>3</sub> is the least significant byte of the 24bit output



**Figure 8-7: Converting output bytes to [°/s]**

### 8.4.2.2.2 Incremental angle

Incremental angle is available in all datagrams when STIM277H has been configured to output incremental angle. The transmitted data will be the integrated angle since last transmitted sample. E.g. in the case of continuous transmission of datagrams and a sample rate of 250 samples/s, each transmission will contain the integrated angle of eight internal samples.

Equation 2 and Figure 8-8 show how to convert to [°/sample]. Note that the output data is represented as two's complement:

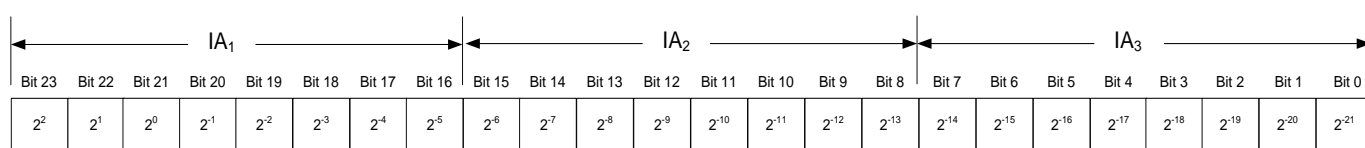
#### Equation 2: Converting output to [°/sample]

$$Output[^\circ / sample] = \frac{(IA_1) \cdot 2^{16} + (IA_2) \cdot 2^8 + (IA_3)}{2^{21}}$$

where  $IA_1$  is the most significant byte of the 24bit output

$IA_2$  is the middle byte of the 24bit output

$IA_3$  is the least significant byte of the 24bit output



**Figure 8-8: Converting output bytes to [°/samples]**

### 8.4.2.2.3 Average angular rate

Average angular rate is available in all datagrams when STIM277H has been configured to output average angular rate. The transmitted data will be the average of the samples since last transmission. E.g. in the case of continuous transmission of datagrams and a sample rate of 250 samples/s, each transmission will contain the average of the eight internal samples.

Note that the configured low-pass filtering is performed prior to calculating the average.

Conversion to [°/s] is the same as for angular rate and is described in Equation 1.

### 8.4.2.2.4 Integrated angle

Integrated angle is available in all datagrams when STIM277H has been configured to output integrated angle. The transmitted data will be continuously integrated angle since power-on or reset. The integrated angle takes values in the interval [-4°, 4°] and will naturally wrap around with no error message indication in the Status byte.

Conversion to [°] is the same as for incremental angle and is described in Equation 2.

### 8.4.2.2.5 Temperature

Temperature data for each axis is available in certain datagrams (ref. section 12).

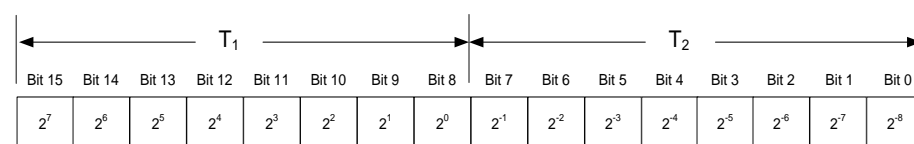
Equation 3 and Figure 8-9 show how to convert to [°C]. Note that the output data is represented as two's complement:

#### Equation 3: Converting temperature data to [°C]

$$Output[^\circ C] = \frac{(T_1) \cdot 2^8 + (T_2)}{2^8}$$

where  $T_1$  is the most significant byte of the 16bit output

$T_2$  is the least significant byte of the 16bit output



**Figure 8-9: Converting temperature data to [°C]**

### 8.4.2.2.6 Counter

A counter is available in certain datagrams (ref. section 12). Counter is continuously counting the internal samples (2000 samples/s). Counter is an un-signed single byte taking values in the interval [0 , 255]. The counter will naturally wrap-around with no error-message indication in the Status-byte.

### 8.4.2.2.7 Latency

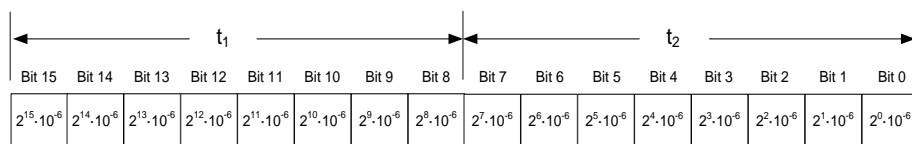
Latency is available in certain datagrams (ref. section 12) with external trigger. Latency is an unsigned word taking values in the interval [0 , 65535]  $\mu$ s.

Equation 4 and Figure 8-10 show how to convert to [seconds]:

#### Equation 4: Converting latency data to [seconds]

$$Output[seconds] = ((t_1) \cdot 2^8 + (t_2)) \cdot 10^{-6}$$

where  $t_1$  is the most significant byte of the 16bit output  
 $t_2$  is the least significant byte of the 16bit output



**Figure 8-10: Converting latency data to [seconds]**



### 8.4.3 Service Mode

The communication interface has been designed to be human-readable in Service Mode. This can for example be of great help in the development phase when the device needs to be re-configured during investigations into an observed problem, for example in combination with terminal based software.

When Service Mode is entered, STIM277H will respond with its configuration information (same as the response to the `i` (INFORMATION) command, ref: Figure 10-1).

A set of commands are available, ref. section 10, enabling the user to change intermediately or permanently the configuration parameters, display latest measurement results, display higher details on error information and perform a full diagnostic of the unit.

In Service Mode the gyro measurements will still be running in the background, enabling to switch directly back to Normal Mode without the need for any stabilization time of filters, etc. However the measurement data itself, when STIM277H is in Service Mode are not transmitted and therefore lost. By using the `a` (SINGLE-SHOT MEASUREMENT) command (ref. section 10.2) it is possible to display single measurement results.

Exiting Service Mode can be done in several ways:

1. Using the external reset. This will force STIM277H into Init Mode. Be advised that during Init Mode, all the configuration parameters are loaded from flash. If any of the configuration parameters have been changed during the Service Mode session but not saved to flash, these changes will be overwritten by the content already stored in flash.
2. Using the `x` (EXIT) command. When using this command a parameter is required to decide whether the device should go to Init Mode or to Normal Mode. When exiting to Normal Mode, any of the changes made to the configuration parameters will still be valid. However, if not saved, the configuration parameters will be overwritten by the content already stored in flash at the next power-up or reset.

### 8.5 Self diagnostics

STIM277H is constantly checking its internal status. The checks include:

- Check of internal references
- Check of gyros (error and overload)
- Check of internal temperatures
- Check of RAM and flash
- Check of supply voltage

A full diagnostic can be run to see the result of the individual checks by using the `c` (DIAGNOSTIC) command, ref. section 10.3 in SERVICEMODE.

When an error situation is detected, the corresponding bit in the STATUS byte (ref. Table 6-13) will be set. If the sample-rate is set lower than 2000 samples/s, the STATUS byte will reflect the accumulated status of all the sub-samples between two data transmissions. The bits in the STATUS bytes are valid for the data in a single transmission and hence not latched.

Access to extended error registers containing accumulated error-information can be achieved either by using the Normal Mode-command "E" (EXTENDED ERROR INFORMATION DATAGRAM, ref. Table 6-9 and Table 6-10) or the SERVICEMODE-command `i_e` (INFORMATION on ACCUMULATED LAST ERRORS, ref. section 10.1).

The extended error registers are cleared at the following events:

- After the start-up phase, triggered by power-on or reset
- After transmission of Extended Error Information Datagram (ref. section 9.4)
- After use of SERVICEMODE-command "i e" (INFORMATION on ACCUMULATED LAST ERRORS, ref. section 10.1)

### 9 COMMANDS IN NORMAL MODE

Several commands are available in Normal Mode, as listed in Table 9-1. Note that all commands in Normal Mode must be transmitted in upper case letters.

**Table 9-1 Available commands in Normal Mode**

Command	Short description
N	Transmits one Part Number datagram
I	Transmits one Serial Number datagram
C	Transmits one Configuration datagram
E	Transmits one Extended Error Information datagram
R	Resets the unit
SERVICEMODE	Enters Service Mode

**Table 9-2 List of special ASCII characters used in Normal Mode**

Char	Hex	Dec	Short description
<CR>	0x0D	13	“Carriage Return”: used as execution character for commands

No echo of received command characters nor error messages will appear for these commands. Only at the receipt of the complete correct command, STIM277H executes accordingly.

NB: if OUTPUT UNIT is set to INCREMENTAL ANGLE (ref. section 10.7), the transmitted incremented angle in the datagram following any of the requested special datagrams will NOT contain the incremental angle since the last transmitted measurement. Hence the incremented angle occurring during the transmission of a special requested datagram will be lost.

#### 9.1 N (PART NUMBER DATAGRAM) command

General description: Requests transmission of a Part Number datagram (ref. Table 6-6).

**Table 9-3 : Available I (PART NUMBER DATAGRAM) command**

Syntax	Response
N<CR>	Transmits one Part Number datagram

The Part Number datagram will replace the next transmitted Normal Mode datagram.

If sample rate is set to external trigger, the Part Number datagram will be transmitted at the next external trigger input, replacing the datagram containing sensor data.

#### 9.2 I (SERIAL NUMBER DATAGRAM) command

General description: Requests transmission of a Serial number datagram (ref. Table 6-7).

**Table 9-4 : Available I (SERIAL NUMBER DATAGRAM) command**

Syntax	Response
I<CR>	Transmits one Serial Number datagram

The Serial Number datagram will replace the next transmitted Normal Mode datagram.

If sample rate is set to external trigger, the Serial Number datagram will be transmitted at the next external trigger input, replacing the datagram containing sensor data.

**9.3 C (CONFIGURATION DATAGRAM) command**

General description: Requests transmission of a configuration datagram (ref. Table 6-8).

**Table 9-5: Available C (CONFIGURATION DATAGRAM) command**

Syntax	Response
C<CR>	Transmits one Configuration datagram

The Configuration datagram will replace the next transmitted Normal Mode datagram.

If sample rate is set to external trigger, the Configuration datagram will be transmitted at the next external trigger input, replacing the datagram containing sensor data.

**9.4 E (EXTENDED ERROR INFORMATION DATAGRAM) command**

General description: Requests transmission of an Extended Error Information datagram (ref. Table 6-9). This datagram contains the accumulated detected errors (ref. section 8.5).

Once the Extended Error Information datagram has been transmitted, the error-registers are cleared.

**Table 9-6: Available E (EXTENDED ERROR INFORMATION) command**

Syntax	Response
E<CR>	Resets the unit

The Extended Error Information datagram will replace the next transmitted Normal Mode datagram.

If sample rate is set to external trigger, the Extended Error Information datagram will be transmitted at the next external trigger input, replacing the datagram containing sensor data.

**9.5 R (RESET) command**

General description: Force a Reset (ref. Figure 8-6).

**Table 9-7: Available R (RESET) command**

Syntax	Response
R<CR>	Resets the unit

### 9.6 SERVICEMODE command

General description : Enters Service Mode (ref. section 8.4.3).

**Table 9-8: Available SERVICEMODE command**

Syntax	Response
SERVICEMODE<CR>	Enters Service Mode

If the command is received during the transmission of a datagram, it will complete the transmission before entering Service Mode.

When entering Service Mode, the configuration and identification data of the device will be listed, as shown in Figure 9-1:

```

SERIAL NUMBER = N25582020002002
PRODUCT = STIM277H
PART NUMBER = 85032-1034-0121 REV -
HW CONFIG = M5750 REV 0
FW CONFIG = SWD11860 REV 9
OUTPUT UNIT = [°/sample] – INCREMENTAL ANGLE
SAMPLE RATE [samples/s] = 1000
GYRO CONFIG = XYZ
GYRO RANGE:
  X-AXIS: ± 400°/s
  Y-AXIS: ± 400°/s
  Z-AXIS: ± 400°/s
LP FILTER -3dB FREQUENCY, X-AXIS [Hz] = 262
LP FILTER -3dB FREQUENCY, Y-AXIS [Hz] = 262
LP FILTER -3dB FREQUENCY, Z-AXIS [Hz] = 262
DATAGRAM TERMINATION = NONE
BIT-RATE [bits/s] = 374400
DATA LENGTH = 8
STOP-BITS = 1
PARITY = EVEN
LINE TERMINATION = ON
DATAGRAM FORMAT = STANDARD

>

```

**Figure 9-1: Example of response from SERVICEMODE command**

### 10 COMMANDS IN SERVICE MODE

Several commands are available in Service Mode, as listed in Table 10-1. Note that all commands in Service Mode must be transmitted in lower case letters.

**Table 10-1 Available commands in Service Mode**

Command	Short description
i	Lists specific information (e.g. serial number, configuration, error information)
a	Performs a single-shot measurement
c	Performs a diagnostic of the unit
d	Changes datagram format
t	Changes transmission parameters (e.g. bit-rate, data length, stop-bits)
r	Changes line termination and datagram termination
u	Changes measurement output unit
f	Changes LP filter -3dB frequency
m	Changes sample rate
s	Saves configuration data
x	Exits Service Mode and returns to Normal Mode or Init Mode
z	Restore to factory settings
?	Help function on the available commands in Service Mode

**Table 10-2 List of special ASCII characters used in Service Mode**

Char	Hex	Dec	Short description
<BS>	0x08	8	“Back Space”: deletes last received character (received since last <CR>)
<CR>	0x0D	13	“Carriage Return”: typically used as execution character for commands
<SP>	0x20	32	“Space”: used to separate command and first parameter
‘,’	0x2C	44	“Comma”: used to separate parameters in a command
‘>’	0x3E	62	Used together with <CR> as: “Ready to receive new command” prompt

When STIM277H is in Service Mode and ready to receive a new command, it will issue the special ASCII character <CR> followed by ‘>’. As some commands (e.g. SINGLE-SHOT MEASUREMENT command) may respond with a varying number of lines, automated set-ups should look for the special prompt sequence (<CR>+’>’) before issuing a new command.

Received characters will be echoed. A command is decoded and executed when receiving the special ASCII character <CR>. <BS> is also recognized and will delete the last received character in the input buffer. The size of the input buffer is 80 characters. <BS> is valid for the characters received since last <CR>.

The command character and first parameter (when applicable) are separated by a space (character 0x20). When there are more than one parameter to a command (e.g. TRANSMISSION PARAMETER command), these must be separated by a comma (character 0x2C).

In the event of an unknown command, inconsistent syntax or incorrect value of parameter(s), STIM277H will respond with an error message. Error messages are on the format:

E<nnn><SP><Error description><CR>

where nnn is an error number

### 10.1 i (INFORMATION) command

General description: Lists various requested information about the device

**Table 10-3 : Available i (INFORMATION) commands**

Syntax	Response
i<CR>	Lists the product configuration and identification data
i<SP><cmd><CR>	Gives information about the specific parameter

**Table 10-4 : Allowed values for <cmd> parameter for i (INFORMATION) commands**

<cmd>	Result
s	Returns the serial number of the device
n	Returns the product name of the device
x	Returns the part number of the device
a	Returns the axis configuration of the device
h	Returns the HW configuration and revision of the device
p	Returns the FW configuration and revision of the device
m	Returns the sample rate of the device
f	Returns the LP filter -3dB frequency for each axis
d	Returns the datagram format
t	Returns the transmission parameters of the device
r	Returns the line termination and datagram termination
u	Returns the output unit of the device
e	Prints the extended error information from the accumulated detected error(s) since last error read-out in Service Mode or by the E-command in Normal Mode (ref. section 9.4)

**Table 10-5: Error messages for i (INFORMATION) commands**

Error	Message	Possible reason
E001	UNKOWN COMMAND	Command or parameter is not recognised
E002	INCORRECT NUMBER OF PARAMETERS	Too many or too few parameters, use of comma between command and first parameter

```

>i
SERIAL NUMBER = N25582020002002
PRODUCT = STIM277H
PART NUMBER = 85032-1034-0121 REV -
HW CONFIG = M5750 REV 0
FW CONFIG = SWD11860 REV 9
OUTPUT UNIT = [°/sample] – INCREMENTAL ANGLE
SAMPLE RATE [samples/s] = 1000
GYRO CONFIG = XYZ
GYRO RANGE:
  X-AXIS: ± 400°/s
  Y-AXIS: ± 400°/s
  Z-AXIS: ± 400°/s
LP FILTER -3dB FREQUENCY, X-AXIS [Hz] = 262
LP FILTER -3dB FREQUENCY, Y-AXIS [Hz] = 262
LP FILTER -3dB FREQUENCY, Z-AXIS [Hz] = 262
DATAGRAM TERMINATION = NONE
BIT-RATE [bits/s] = 374400
DATA LENGTH = 8
STOP-BITS = 1
PARITY = EVEN
LINE TERMINATION = ON
DATAGRAM FORMAT = STANDARD
>

```

**Figure 10-1: Example of response from i (INFORMATION) command**

```
>i s
SERIAL NUMBER = N25582020002002
>
```

**Figure 10-2: Example of response from i s (INFORMATION on SERIAL NUMBER) command**

```
>i n
PRODUCT = STIM277H
>
```

**Figure 10-3: Example of response from i n (INFORMATION on PRODUCT NAME) command**

```
>i x
PART NUMBER = 85032-1034-0121 REV -
>
```

**Figure 10-4: Example of response from i x (INFORMATION on PART NUMBER) command**

```
>i a
GYRO CONFIG = XYZ
GYRO RANGE:
X-AXIS: ± 400°/s
Y-AXIS: ± 400°/s
Z-AXIS: ± 400°/s
>
```

**Figure 10-5: Example of response from i a (INFORMATION on AXIS CONFIGURATION) command**

```
>i h
HW CONFIG = M5750 REV -
>
```

**Figure 10-6: Example of response from i h (INFORMATION on HW CONFIGURATION) command**

```
>i p
FW CONFIG = SWD11860 REV 9
>
```

**Figure 10-7: Example of response from i p (INFORMATION on FW CONFIGURATION) command**

```
>i m
SAMPLE RATE [samples/s] = 1000
>
```

**Figure 10-8: Example of response from i m (INFORMATION on SAMPLE RATE) command**

```
>i f
LP FILTER -3dB FREQUENCY, X-AXIS [Hz] = 262
LP FILTER -3dB FREQUENCY, Y-AXIS [Hz] = 262
LP FILTER -3dB FREQUENCY, Z-AXIS [Hz] = 262
>
```

**Figure 10-9: Example of response from i f (INFORMATION on LP FILTER -3dB FREQUENCY) command**

```
>i d
DATAGRAM FORMAT = STANDARD
>
```

**Figure 10-10: Example of response from i d (INFORMATION on DATAGRAM CONTENT) command**

```
>i t
BIT-RATE [bits/s] = 374400
DATA LENGTH = 8
STOP-BITS = 1
PARITY = EVEN
>
```

**Figure 10-11: Example of response from i t (INFORMATION on TRANSMISSION PARAMETERS) command**

```
>i r
LINE TERMINATION = ON
DATAGRAM TERMINATION = NONE
>
```

**Figure 10-12: Example of response from i r (INFORMATION) command**

```
>i u
OUTPUT UNIT = [°/sample] – INCREMENTAL ANGLE
>
```

**Figure 10-13: Example of response from i u (INFORMATION on OUTPUT UNIT) command**

```
>i e
GYRO X-AXIS I-CH OVERFLOW = FAILED
>
```

**Figure 10-14: Example of response from i e (INFORMATION on LAST ERROR IN NORMAL MODE) command**



**10.2 a (SINGLE-SHOT MEASUREMENT) command**

General description: Displays the result of latest measurement (measurement process running constantly in the background).

If sample rate has been set to external trigger, the SINGLE-SHOT MEASUREMENT will respond to the measurement result at the latest trigger. Hence if no trigger is received, the command will respond with the same data if sent multiple times.

**Table 10-6: Available a (SINGLE-SHOT MEASUREMENT) command**

Syntax	Response
a<CR>	Displays the result of the latest measurement sample

**Table 10-7: Error messages for a (SINGLE-SHOT MEASUREMENT) command**

Error	Message	Possible reason
E001	UNKOWN COMMAND	Command is incorrectly entered
E002	INCORRECT NUMBER OF PARAMETERS	Any characters between command and <CR>

```
>a
X-AXIS = 1.43255°/s
Y-AXIS = -2.88426°/s
Z-AXIS = 243.33667°/s
STATUS = 00000000 = OK
>
```

**Figure 10-15: Example of response from a (SINGLE-SHOT MEASUREMENT) command**

```
>a
X-AXIS = 0.000716275°
Y-AXIS = -0.022958462°
Z-AXIS = 0.121668335°
STATUS = 00100101 = NOT OK
BIT 5: OUTSIDE OPERATING CONDITIONS
BIT 2: ERROR IN Z-CHANNEL
BIT 0: ERROR IN X-CHANNEL
>
```

**Figure 10-16: Example of response from a (SINGLE-SHOT MEASUREMENT) command with error flagging**

**10.3 c (DIAGNOSTIC) command**

General description: Performs a diagnostic of the unit.

**Table 10-8: Available c (DIAGNOSTIC) command**

Syntax	Response
c<CR>	Performs a diagnostic check

**Table 10-9: Error messages for c (DIAGNOSTIC) command**

Error	Message	Possible reason
E001	UNKOWN COMMAND	Command is incorrectly entered
E002	INCORRECT NUMBER OF PARAMETERS	Any characters between command and <CR>

```
>c
SERIAL NUMBER = N25582020002002
PRODUCT = STIM277H
PART NUMBER = 85032-1034-0121 REV -
HW CONFIG = M5750 REV 0
FW CONFIG = SWD11860 REV 9
SYSTEM STATUS:
RAM CHECK = OK
FLASH CHECK = OK
STACK STATUS MONITOR = OK
STACK COMMAND HANDLER = OK
STACK SAMPLE = OK
STACK FLASH = OK
MICRO CONTROLLER TEMPERATURE = OK
VOLTAGE SUPPLIES:
REFERENCE VOLTAGE 5.0V = OK
REFERENCE VOLTAGE 2.5V = OK
REFERENCE VOLTAGE 2.048V = OK
REGULATED VOLTAGE 5.0V = OK
REGULATED VOLTAGE 1.8V = OK
INPUT VOLTAGE 5.0V = OK
VOLTAGE BOOST = OK
GYRO X-AXIS:
GYRO X-AXIS Data Ready = OK
GYRO X-AXIS EXC.FREQ = OK
GYRO X-AXIS ASIC TEMP = OK
GYRO X-AXIS SENSOR TEMP = OK
GYRO X-AXIS COMPENSATED RATE SIGNAL = OK
GYRO X-AXIS DASIC COMMUNICATION = OK
GYRO X-AXIS Q-CH RANGE = OK
GYRO X-AXIS I-CH RANGE = OK
GYRO X-AXIS DET. DC = OK
GYRO X-AXIS EXC. DC = OK
GYRO X-AXIS SPI = OK
GYRO X-AXIS EXC.AMPL = OK
GYRO X-AXIS OVERRUN = OK
GYRO X-AXIS DAC = OK
GYRO Z-AXIS:
GYRO Z-AXIS Data Ready = OK
GYRO Z-AXIS EXC.FREQ = OK
GYRO Z-AXIS ASIC TEMP = OK
GYRO Z-AXIS SENSOR TEMP = OK
GYRO Z-AXIS COMPENSATED RATE SIGNAL = OK
GYRO Z-AXIS DASIC COMMUNICATION = OK
GYRO Z-AXIS Q-CH RANGE = OK
GYRO Z-AXIS I-CH RANGE = OK
GYRO Z-AXIS DET. DC = OK
GYRO Z-AXIS EXC. DC = OK
GYRO Z-AXIS SPI = OK
GYRO Z-AXIS EXC.AMPL = OK
GYRO Z-AXIS OVERRUN = OK
GYRO Z-AXIS DAC = OK
>
```

Figure 10-17: Example of response from c (DIAGNOSTIC) command

### 10.4 d (DATAGRAM FORMAT) command

General description: Changes the datagram format in Normal Mode (ref. Table 6-11).

Note that the datagram format could be considered invalid, even if it has been entered correctly. This is because a valid datagram format also depends on the chosen sample rate and bit rate (ref. Table 6-12 and error message E007 in Table 10-12).

Note that this change will only be effective until STIM277H is initialized, reset or powered off, unless the new setting has been stored in flash using the SAVE-command (ref. section 10.10). In order to use or test a new setting in Normal Mode without permanently storing it, this can be achieved by using the EXIT n-command (ref. section 10.11).

**Table 10-10 : Available d (DATAGRAM FORMAT) command**

Syntax	Response
d<SP><d_format><CR>	Changes the datagram format in Normal Mode

**Table 10-11 : Allowed values for d (DATAGRAM FORMAT) command**

<d_format>	Result
s	Changes the datagram format in Normal Mode to standard format
e	Changes the datagram format in Normal Mode to extended format
j	Changes the datagram format in Normal Mode to rate and temperature
k	Changes the datagram format in Normal Mode to rate and counter
l	Changes the datagram format in Normal Mode to rate and latency
m	Changes the datagram format in Normal Mode to rate, counter and latency
n	Changes the datagram format in Normal Mode to rate, temperature and counter
o	Changes the datagram format in Normal Mode to rate, temperature and latency
p	Changes the datagram format in Normal Mode to rate, temperature, counter and latency

**Table 10-12: Error messages for d (DATAGRAM FORMAT) command**

Error	Message	Possible reason
E001	UNKOWN COMMAND	Command is incorrectly entered
E002	INCORRECT NUMBER OF PARAMETERS	Too many or too few parameters, use of comma between command and first parameter
E003	INVALID PARAMETER	Value of parameter outside valid range
E007	DATAGRAM WILL BE TOO LONG TO TRANSMIT	Combination of bit-rate, sample rate and datagram content results in a datagram that cannot be transmitted

```
>d s
DATAGRAM FORMAT = STANDARD
>
```

**Figure 10-18: Example of response from d s (DATAGRAM FORMAT) command**

```
>d e
DATAGRAM FORMAT = EXTENDED
>
```

**Figure 10-19: Example of response from d e (DATATGRAM FORMAT) command**

```
>d m
DATAGRAM FORMAT = RATE, COUNTER AND LATENCY
>
```

**Figure 10-20: Example of response from d m (DATATGRAM FORMAT) command**

### 10.5 t (TRANSMISSION PARAMETERS) command

General description: Changes the transmission parameters for the RS422 interface.

Note that the bit-rate could be considered invalid, even if it has been entered correctly. This is because a valid bit-rate also depends on the sample rate and chosen datagram content (ref. Table 6-12 and error message E007 in Table 10-16).

Note that this change will only be effective until STIM277H is initialized, reset or powered off, unless the new setting has been stored in flash using the SAVE-command (ref. section 10.10). If confirmation to the SAVE-command is not "Y", the transmission parameters will be reset to the previously stored settings. In order to use or test a new setting in Normal Mode without permanently storing it, this can be achieved by using the EXIT n-command (ref. section 10.11).

**Table 10-13 : Available t (TRANSMISSION PARAMETERS) commands**

Syntax	Response
t<SP><bit-rate><CR>	Changes the transmission bit-rate and leaves number of stop-bits and parity unchanged
t<SP><bit-rate>','<stop-bits>','<parity><CR>	Changes the transmission bit-rate, number of stop-bits and parity

**Table 10-14: Allowed values for <stop-bits> parameter for t (TRANSMISSION PARAMETERS) commands**

<stop-bits>	Result
1	Will set number of stop-bits to 1
2	Will set number of stop-bits to 2

**Table 10-15: Allowed values for <parity> parameter for t (TRANSMISSION PARAMETERS) commands**

<stop-bits>	Result
n	Will set no parity
e	Will set even parity
o	Will set odd parity

The STIM277H hardware is capable of setting bit-rates in the range between 1500 and 3 750 000 bits/s. However, the sample rate and the datagram length decide the minimum bit-rate possible, ref. Equation 5:

#### Equation 5: Minimum bit-rate

$$Bit - rate_{MIN} = 1.1 \cdot bits \cdot bytes \cdot sample\_rate$$

where bits = start-bit (1) + data-bits (8) + stop-bits (1 or 2) + parity-bit (0 or 1)  
 bytes = number of bytes in the chosen datagram including <CR><LF>, ref. Table 6-11 and Table 6-12  
 (NB: number of bytes in Table 6-12 excludes <CR><LF>)  
 sample\_rate is the chosen sample rate [samples/s]

If a bit-rate, lower than the allowed bit-rate defined by Equation 5, is entered, the command will respond with error message E007, ref. Table 10-16.

There are a finite number of bit-rates possible to set. This is defined in Equation 6:

#### Equation 6: Set bit-rate

$$Bit - rate_{SET} = \frac{59904000}{n} bits / s$$

where n is an integer

The actually set bit-rate will hence be the closest to requested bit-rate. The response of the t (TRANSMISSION PARAMETERS)-command will be the set bit-rate. Be aware that for certain bit-rates above 1.2Mbit/s, the deviation between the requested bit-rate and set bit-rate could be larger than 1% and may be in conflict with the RS422 specification. No warnings are issued related to this issue. As a safety precaution, the new bit-rate can only be permanently set by the s (SAVE)-command later using the new bit-rate.

**Table 10-16: Error messages for t (TRANSMISSION PARAMETERS) commands**

Error	Message	Possible reason
E001	UNKOWN COMMAND	Command is incorrectly entered
E002	INCORRECT NUMBER OF PARAMETERS	Too many or too few parameters, use of comma between command and first parameter
E003	INVALID PARAMETER	Value of parameter outside valid range
E007	DATAGRAM WILL BE TOO LONG TO TRANSMIT	Combination of bit-rate, sample rate and datagram content results in a datagram that cannot be transmitted

```
>t 460800,2,e
TRANSMISSION PROTOCOL = 460800 bits/s, 2 STOP-BIT(S), EVEN PARITY
>
```

**Figure 10-21: Example of response from t (TRANSMISSION PARAMETERS) command**

```
>t 500000
TRANSMISSION PROTOCOL = 499200 bits/s, 2 STOP-BIT(S), EVEN PARITY
>
```

**Figure 10-22: Example of response from t (TRANSMISSION PARAMETERS) command**

Transmission parameters will change after the response as shown in Figure 10-21 or Figure 10-22 has been given.

### 10.6 r (TERMINATION) command

General description: Changes the line termination and datagram termination. Line termination should be ON when communicating point-to-point (single master – single slave).

Note that this change will only be effective until STIM277H is initialized, reset or powered off, unless the new setting has been stored in flash using the SAVE-command (ref. section 10.10). In order to use or test a new setting in Normal Mode without permanently storing it, this can be achieved by using the EXIT n-command (ref. section 10.11).

**Table 10-17: Available r (TERMINATION) command**

Syntax	Response
r<SP><term><CR>	Changes the line termination and datagram termination

**Table 10-18: Allowed values for r (TERMINATION) command**

<term>	Result
0	Turns line termination = OFF, datagram termination = none
1	Turns line termination = ON, datagram termination = none
2	Turns line termination = OFF, datagram termination = <CR><LF>
3	Turns line termination = ON, datagram termination = <CR><LF>

**Table 10-19: Error messages for r (TERMINATION) command**

Error	Message	Possible reason
E001	UNKOWN COMMAND	Command is incorrectly entered
E002	INCORRECT NUMBER OF PARAMETERS	Too many or too few parameters, use of comma between command and first parameter
E003	INVALID PARAMETER	Value of parameter outside valid range

```
>r 0
LINE TERMINATION = OFF
DATAGRAM TERMINATION = NONE
>
```

**Figure 10-23: Example of response from r 0 (TERMINATION) command**

```
>r 3
LINE TERMINATION = ON
DATAGRAM TERMINATION = <CR><LF>
>
```

**Figure 10-24: Example of response from r 3 (TERMINATION) command**

### 10.7 u (OUTPUT UNIT) command

General description: Sets the unit of the transmission in Normal Mode to angular rate or incremental angle.

Note that this change will only be effective until STIM277H is initialized, reset or powered off, unless the new setting has been stored in flash using the SAVE-command (ref. section 10.10). In order to use or test a new setting in Normal Mode without permanently storing it, this can be achieved by using the EXIT n-command (ref. section 10.11).

**Table 10-20: Available u (OUTPUT UNIT) command**

Syntax	Response
u<SP><outunit><CR>	Changes the unit of the transmission in Normal Mode

**Table 10-21: Allowed values for <outunit> for u (OUTPUT UNIT) command**

<outunit>	Result
a	Changes the unit of the transmission in Normal Mode to angular rate [°/s]
i	Changes the unit of the transmission in Normal Mode to incremental angle [°/sample]
m	Changes the unit of the transmission in Normal Mode to average angular rate [°/s]
s	Changes the unit of the transmission in Normal Mode to integrated angle [°]

**Table 10-22: Error messages for u (OUTPUT UNIT) command**

Error	Message	Possible reason
E001	UNKOWN COMMAND	Command is incorrectly entered
E002	INCORRECT NUMBER OF PARAMETERS	Too many or too few parameters, use of comma between command and first parameter
E003	INVALID PARAMETER	Value of parameter outside valid range

```
>u a
OUTPUT UNIT = [°/s] – ANGULAR RATE
>
```

**Figure 10-25: Example of response from u a (OUTPUT UNIT) command**

```
>u i
OUTPUT UNIT = [°/sample] – INCREMENTAL ANGLE
>
```

**Figure 10-26: Example of response from u i (OUTPUT UNIT) command**

```
>u m
OUTPUT UNIT = [°/s] – AVERAGE ANGULAR RATE
>
```

**Figure 10-27: Example of response from u m (OUTPUT UNIT) command**

```
>u s
OUTPUT UNIT = [°] – INTEGRATED ANGLE
>
```

**Figure 10-28: Example of response from u s (OUTPUT UNIT) command**



### 10.8 f (LP FILTER -3dB FREQUENCY) command

General description: Changes the low-pass filter -3dB frequency for one or all axes.

Note that filter settings should be considered together with the sample rate in order to avoid issues with folding due to under-sampling. No warnings will be issued by STIM277H if e.g. a high filter bandwidth and a low sample rate have been chosen. Also note that change in filter setting will change the group delay, ref. Table 6-5.

Note that this change will only be effective until STIM277H is initialized, reset or powered off, unless the new setting has been stored in flash using the SAVE-command (ref. section 10.10). In order to use or test a new setting in Normal Mode without permanently storing it, this can be achieved by using the EXIT n-command (ref. section 10.11).

**Table 10-23: Available f (LP FILTER -3dB FREQUENCY) commands**

Syntax	Response
f<SP><-3dBfreq><CR>	Changes the LP filter -3dB frequency for all axes
f<SP><-3dBfreq>','<axis><CR>	Changes the LP filter -3dB frequency for a specified axis

**Table 10-24: Allowed values for <-3dBfreq> parameter for f (LP FILTER -3dB FREQUENCY) commands**

<-3dBfreq>	Result
16	Will change LP filter -3dB frequency to 16Hz
33	Will change LP filter -3dB frequency to 33Hz
66	Will change LP filter -3dB frequency to 66Hz
131	Will change LP filter -3dB frequency to 131Hz
262	Will change LP filter -3dB frequency to 262Hz

**Table 10-25: Allowed values for <axis> parameter for f (LP FILTER -3dB FREQUENCY) commands**

<axis>	Result
x	Will change LP filter -3dB frequency for X-axis only
y	Will change LP filter -3dB frequency for Y-axis only
z	Will change LP filter -3dB frequency for Z-axis only

**Table 10-26: Error messages for f (LP FILTER -3dB FREQUENCY) commands**

Error	Message	Possible reason
E001	UNKOWN COMMAND	Command is incorrectly entered
E002	INCORRECT NUMBER OF PARAMETERS	Too many or too few parameters, use of comma between command and first parameter
E003	INVALID PARAMETER	Value of parameter outside valid range

```
>f 66,x
LP FILTER -3dB FREQUENCY = 66 Hz FOR X-AXIS
>
```

**Figure 10-29: Example of response from f (LP FILTER -3dB FREQUENCY) command**

```
>f 131
LP FILTER -3dB FREQUENCY = 131 Hz FOR ALL AXES
>
```

**Figure 10-30: Example of response from f (LP FILTER -3dB FREQUENCY) command**

### 10.9 m (SAMPLE RATE) command

General description: Changes the sample rate in Normal Mode. The sample rate is the same for all gyro channels.

Note that the sample rate could be considered invalid, even if it has been entered correctly. This is because a valid sample rate also depends on the bit rate and chosen datagram content (ref. Table 6-12 and error message E007 in Table 10-29).

Note that sample rate should be considered together with filter settings in order to avoid issues with folding due to under-sampling. No warnings will be issued by STIM277H if e.g. a high filter bandwidth and a low sample rate have been chosen.

Note that this change will only be effective until STIM277H is initialized, reset or powered off, unless the new setting has been stored in flash using the SAVE-command (ref. section 10.10). In order to use or test a new setting in Normal Mode without permanently storing it, this can be achieved by using the EXIT n-command (ref. section 10.11).

**Table 10-27: Available m (SAMPLE RATE) command**

Syntax	Response
m<SP><sampl.freq><CR>	Changes the sample rate in Normal Mode

**Table 10-28: Allowed values for <sampl.freq> parameter for m (SAMPLE RATE) command**

<sampl.freq>	Result
125	Will set sample rate to 125 samples /second
250	Will set sample rate to 250 samples /second
500	Will set sample rate to 500 samples /second
1000	Will set sample rate to 1000 samples /second
2000	Will set sample rate to 2000 samples /second
0	Enables External Trigger

**Table 10-29: Error messages for m (SAMPLE RATE) command**

Error	Message	Possible reason
E001	UNKOWN COMMAND	Command is incorrectly entered
E002	INCORRECT NUMBER OF PARAMETERS	Too many or too few parameters, use of comma between command and first parameter
E003	INVALID PARAMETER	Value of parameter outside valid range
E007	DATAGRAM WILL BE TOO LONG TO TRANSMIT	Combination of bit-rate, sample rate and datagram content results in a datagram that cannot be transmitted

```
>m 500
SAMPLE RATE = 500 samples/s
>
```

**Figure 10-31: Example of response from m (SAMPLE RATE) command**

```
>m 0
SAMPLE RATE = EXTERNAL TRIGGER
>
```

**Figure 10-32: Example of response from m (SAMPLE RATE) command**

### 10.10 s (SAVE) command

General description: Saves configuration parameters to flash. This will permanently change the configuration parameters and hence be valid after an initialization or power-off.

The flash used in STIM277H is specified to be capable of minimum 1000 saves. A save-counter has been implemented and when the number of saves exceeds 1000, there will be issued a warning. STIM277H will always attempt to save the configuration when receiving the s (SAVE) command regardless of the content of the save-counter.

**Table 10-30: Available s (SAVE) command**

Syntax	Response
s<CR>	Saves system parameters to flash. This command will require an additional confirmation prior to execution. Confirmation ("Y") to be responded in upper case letter. If transmission parameters have been changed (ref. TRANSMISSION PARAMETERS command, section 10.5) AND confirmation to the save-command is not "Y", then the transmission parameters, including bit-rate, will be reset to the previously saved settings

**Table 10-31: Error messages for s (SAVE) command**

Error	Message	Possible reason
E001	UNKOWN COMMAND	Command is incorrectly entered
E002	INCORRECT NUMBER OF PARAMETERS	Any characters between command and <CR>
E003	INVALID PARAMETER	Value of parameter outside valid range
E004	EXCEEDED MAXIMUM NUMBER OF SAVES	Warning appears when maximum number of saves has been exceeded (1000 saves). STIM277H will always attempt to save the configuration when receiving the s (SAVE) command.
E005	ERROR DURING SAVE	System parameters not successfully transferred to flash

```
>s
SYSTEM PARAMETERS WILL BE PERMANENTLY CHANGED. CONFIRM SAVE(Y/N): Y
SYSTEM PARAMETERS SUCCESSFULLY STORED IN FLASH.
NUMBER OF SAVES = 26
>
```

**Figure 10-33: Example of response from s (SAVE) command when confirming save**

```
>s
SYSTEM PARAMETERS WILL BE PERMANENTLY CHANGED. CONFIRM SAVE(Y/N): N
SAVE COMMAND ABORTED.
>
```

**Figure 10-34: Example of response from s (SAVE) command when not confirming save**

```
>s
SYSTEM PARAMETERS WILL BE PERMANENTLY CHANGED. CONFIRM SAVE(Y/N): y
SAVE COMMAND ABORTED.

E003 INVALID PARAMETER
>
```

**Figure 10-35: Example of response from s (SAVE) command when not correctly responding to confirmation**

### 10.11 x (EXIT) command

General description: Terminates Service Mode and returns to Normal Mode directly or via Init Mode (ref. Figure 8-6).

**Table 10-32 : Available x (EXIT) command**

Syntax	Response
x<SP><exit_to><CR>	Terminates Service Mode

**Table 10-33 : Allowed values for <exit\_to> for x (EXIT) command**

<exit_to>	Result
n	Terminates Service Mode and return to Normal Mode. If system parameters have been changed compared to flash content, a confirmation is requested before exiting to Normal Mode ("Y" in upper case letter). There will be a 3 seconds hold time between the transmitted command response and execution of the EXIT command.
i	Terminates Service Mode and return to Init Mode. If system parameters have been changed compared to flash content, a confirmation is requested before exiting to Normal Mode ("Y" in upper case letter). There will be a 3 seconds hold time between the transmitted command response and execution of the EXIT command. <b>NB: Changes made to system parameters, but not saved, will be overwritten by the data already stored in flash when entering Init Mode.</b>
N	Terminates Service Mode and return immediately to Normal Mode (without confirmation if system parameters have been changed compared to flash and without any hold time)
I	Terminates Service Mode and return immediately to Init Mode (without confirmation if system parameters have been changed compared to flash and without any hold time). <b>NB: Changes made to system parameters, but not saved, will be overwritten by the data already stored in flash when entering Init Mode.</b>

**Table 10-34: Error messages for x (EXIT) command**

Error	Message	Possible reason
E001	UNKOWN COMMAND	Command is incorrectly entered
E002	INCORRECT NUMBER OF PARAMETERS	Too many or too few parameters, use of comma between command and first parameter
E003	INVALID PARAMETER	Value of parameter outside valid range

```
>x n
SYSTEM RETURNING TO NORMAL MODE.
```

**Figure 10-36: Example of response from x n (EXIT) command when system parameters match contents of flash**

```
>x i
SYSTEM RETURNING TO INIT MODE.
```

**Figure 10-37: Example of response from x i (EXIT) command when system parameters match contents of flash**

```
>x n
CURRENT SYSTEM PARAMETERS DO NOT MATCH FLASH CONTENT. CONFIRM EXIT(Y/N): Y
SYSTEM RETURNING TO NORMAL MODE.
```

**Figure 10-38: Example of response from x n (EXIT) command after system parameters have been changed but not saved with confirmed EXIT.**

```
>x i
CURRENT SYSTEM PARAMETERS DO NOT MATCH FLASH CONTENT. CONFIRM EXIT(Y/N): N
>
```

**Figure 10-39: Example of response from x i (EXIT) command after system parameters have been changed but not saved with confirmed not to EXIT.**

```
>x n
CURRENT SYSTEM PARAMETERS DOES NOT MATCH FLASH CONTENT. CONFIRM EXIT(Y/N): n

E003 INVALID PARAMETER

>
```

**Figure 10-40: Example of response from x n (EXIT) command after system parameters have been changed but not saved with incorrect response to confirmation.**

### 10.12 z (RESTORE TO FACTORY SETTINGS) command

General description: Restores the configuration of the unit to its factory settings.

**Table 10-35: Available z (RESTORE TO FACTORY SETTINGS) commands**

Syntax	Response
<b>z&lt;CR&gt;</b>	Restores the configuration of the unit to its factory settings. <b>NB: The restored configuration will not be permanent unless it is SAVED to flash before EXITing Service Mode, resetting the unit or turning off power.</b>
<b>z&lt;SP&gt;,'s',&lt;CR&gt;</b>	Restores the configuration of the unit to its factory settings and saves the configuration to flash.

**Table 10-36: Error messages for z (RESTOR TO FACTORY SETTINGS) command**

Error	Message	Possible reason
E001	UNKOWN COMMAND	Command is incorrectly entered
E002	INCORRECT NUMBER OF PARAMETERS	Any characters between command and <CR>
E003	INVALID PARAMETER	Value of parameter outside valid range
E004	EXCEEDED MAXIMUM NUMBER OF SAVES	Warning appears when maximum number of saves has been exceeded (1000 saves). STIM277H will always attempt to save the configuration when receiving the s (SAVE)-command.
E005	ERROR DURING SAVE	System parameters not successfully transferred to flash

```
>z
RESTORE TO FACTORY SETTINGS.
CONFIRM CHANGE TO FACTORY SETTINGS (Y/N): Y

APPLYING FACTORY SETTINGS
FACTORY SETTINGS APPLIED. TO PERMANENTLY STORE THE SETTINGS, USE THE SAVE OR 'z s' COMMAND.

>
```

**Figure 10-41: Example of response from z (RESTORE TO FACTORY SETTINGS) command with no change in transmission parameters.**

```
>z
RESTORE TO FACTORY SETTINGS.
CONFIRM CHANGE TO FACTORY SETTINGS(Y/N): Y

TRANSMISSION PARAMETERS WILL BE CHANGED. PLEASE CONFIRM (Y/N): Y
THE TRANSMISSION CONFIGURATION WILL BE CHANGED TO:
TRANSMISSION PROTOCOL = 460800 bits/s, 2 STOP-BIT(S), EVEN PARITY

APPLYING FACTORY SETTINGS
FACTORY SETTINGS APPLIED. TO PERMANENTLY STORE THE SETTINGS, USE THE SAVE COMMAND.

>
```

**Figure 10-42: Example of response from z (RESTORE TO FACTORY SETTINGS) command with change in transmission parameters.**

```
>Z s
RESTORE TO FACTORY SETTINGS.
CONFIRM CHANGE TO FACTORY SETTINGS(Y/N): Y

TRANSMISSION PARAMETERS WILL BE CHANGED. PLEASE CONFIRM (Y/N): Y
THE TRANSMISSION CONFIGURATION WILL BE CHANGED TO:
TRANSMISSION PROTOCOL = 460800 bits/s, 2 STOP-BIT(S), EVEN PARITY

APPLYING FACTORY SETTINGS
FACTORY SETTINGS APPLIED AND SAVED.
NUMBER OF SAVES = 26

>
```

**Figure 10-43: Example of response from z s (RESTORE TO FACTORY SETTINGS with save of configuration) command with change in transmission parameters.**

### 10.13 ? (HELP) command

General description: Help function on the available commands in Service Mode.

**Table 10-37: Available ? (HELP) commands**

Syntax	Response
?<CR>	Lists the available parameters for this command
?<SP><hlp><CR>	Responds with information on the specified command

**Table 10-38: Allowed values for <hlp> for ? (HELP) command**

<hlp>	Result
i	Responds with information on the INFORMATION command
a	Responds with information on the SINGLE-SHOT MEASUREMENT command
c	Responds with information on the DIAGNOSTIC command
d	Responds with information on the DATAGRAM FORMAT command
t	Responds with information on the TRANSMISSION PARAMETERS command
r	Responds with information on the TERMINATION command
u	Responds with information on the OUTPUT UNIT command
f	Responds with information on the LP FILTER -3dB FREQUENCY command
m	Responds with information on the SAMPLE RATE command
s	Responds with information on the SAVE command
x	Responds with information on the EXIT command
z	Responds with information on the RESTORE TO FACTORY SETTINGS command

**Table 10-39: Error messages for ? (HELP) commands**

Error	Message	Possible reason
E001	UNKOWN COMMAND	Command is incorrectly entered
E002	INCORRECT NUMBER OF PARAMETERS	Too many or too few parameters, use of comma between command and first parameter
E003	INVALID PARAMETER	Value of parameter outside valid range

```

>?
AVAILABLE PARAMETERS:
i: LISTS SPECIFIC INFORMATION
a: PERFORMS A SINGLE-SHOT MEASUREMENT
c: PERFORMS A DIAGNOSTIC OF THE UNIT
d: CHANGES DATAGRAM FORMAT
t : CHANGES TRANSMISSION PARAMETERS
r: CHANGES THE LINE TERMINATION AND DATAGRAM TERMINATION
u : CHANGES OUTPUT UNIT
f: CHANGES LP FILTER -3dB FREQUENCY
m: CHANGES SAMPLE RATE
s: SAVES CONFIGURATION DATA
z: RESTORES FACTORY SETTINGS
x: EXITS SERVICE MODE

>

```

**Figure 10-44: Example of response from ? (HELP) command**



```
>? i
i: LISTS THE PRODUCT CONFIGURATION DATA
i s: RETURNS THE SERIAL NUMBER
i n: RETURNS THE PRODUCT NAME
i x: RETURNS THE PART NUMBER
i a: RETURNS THE AXIS CONFIGURATION
i h: RETURNS THE HW CONFIGURATION AND REVISION
i p: RETURNS THE FW CONFIGURATION AND REVISION
i m: RETURNS THE SAMPLE RATE
i f: RETURNS THE LP FILTER -3dB FREQUENCY
i d: RETURNS THE DATAGRAM FORMAT
i t: RETURNS THE TRANSMISSION PARAMETERS
i r: RETURNS THE LINE TERMINATION AND DATAGRAM TERMINATION SETTING
i u: RETURNS THE OUTPUT UNIT
i e: PRINTS THE EXTENDED ERROR INFORMATION FROM THE LAST DETECTED ERROR IN NORMAL MODE

>
```

**Figure 10-45: Example of response from ? i (HELP on INFORMATION) command**

```
>? a
a: PERFORMS A SINGLE-SHOT MEASUREMENT

>
```

**Figure 10-46: Example of response from ? a (HELP ON SINGLE-SHOT MEASUREMENT) command**

```
>? c
c: PERFORMS A DIAGNOSTIC OF THE UNIT

>
```

**Figure 10-47: Example of response from ? c (HELP on DIAGNOSTIC) command**

```
>? d
d s: CHANGES THE CONTENT OF THE DATAGRAMS IN NORMAL MODE TO STANDARD CONTENT
d e: CHANGES THE CONTENT OF THE DATAGRAMS IN NORMAL MODE TO EXTENDED CONTENT
d j: CHANGES THE CONTENT OF THE DATAGRAMS IN NORMAL MODE TO RATE AND TEMPERATURE
d k: CHANGES THE CONTENT OF THE DATAGRAMS IN NORMAL MODE TO RATE AND COUNTER
d l: CHANGES THE CONTENT OF THE DATAGRAMS IN NORMAL MODE TO RATE AND LATENCY
d m: CHANGES THE CONTENT OF THE DATAGRAMS IN NORMAL MODE TO RATE, COUNTER AND LATENCY
d n: CHANGES THE CONTENT OF THE DATAGRAMS IN NORMAL MODE TO RATE, TEMPERATURE AND COUNTER
d o: CHANGES THE CONTENT OF THE DATAGRAMS IN NORMAL MODE TO RATE, TEMPERATURE AND LATENCY
d p: CHANGES THE CONTENT OF THE DATAGRAMS IN NORMAL MODE TO RATE, TEMPERATURE, COUNTER AND LATENCY

>
```

**Figure 10-48: Example of response from ? d (HELP on DATAGRAM FORMAT) command**

```
? t
t <bit-rate>: CHANGES THE BIT-RATE [bits/s]
t <bit-rate>, <stop-bits>, <parity>: CHANGES THE BIT-RATE [bits/s], NUMBER OF STOP-BITS AND PARITY
  ALLOWED VALUES FOR <bit-rate>: 1500 TO 7500000
<bit-rate> MUST ONLY BE INCLUDED WHEN <bit-rate code> = f
  ALLOWED VALUES FOR <stop-bits>: 1 AND 2
  ALLOWED VALUES FOR <parity>: n (=NONE), e (=EVEN) AND o (=ODD)

>
```

**Figure 10-49: Example of response from ? t (HELP on TRANSMISSION PARAMETERS) command**

```
>? r
r 0: TURNS LINE TERMINATION = OFF AND DATAGRAM TERMINATION = NONE
r 1: TURNS LINE TERMINATION = ON AND DATAGRAM TERMINATION = NONE
r 2: TURNS LINE TERMINATION = OFF AND DATAGRAM TERMINATION = <CR><LF>
r 3: TURNS LINE TERMINATION = ON AND DATAGRAM TERMINATION = <CR><LF>

>
```

**Figure 10-50: Example of response from ? r (HELP on TERMINATION) command**

```
>? u
u a: CHANGES OUTPUT UNIT TO ANGULAR RATE [°/s]
u i: CHANGES OUTPUT UNIT TO INCREMENTAL ANGLE [°/sample]
u m: CHANGES OUTPUT UNIT TO AVERAGE ANGULAR RATE [°/s]
u s: CHANGES OUTPUT UNIT TO INTEGRATED ANGLE [°]

>
```

**Figure 10-51: Example of response from ? u (HELP on OUTPUT UNIT) command**

```
>? f
f <-3dBfreq>: CHANGES THE LP FILTER -3dB FREQUENCY [Hz] FOR ALL AXES
f <-3dBfreq>,<axis>: CHANGES THE LP FILTER -3dB FREQUENCY [Hz] FOR A SPECIFIC AXIS
  ALLOWED VALUES FOR <-3dBfreq> = 16, 33, 66, 131 AND 262
  ALLOWED VALUES FOR <axis> = x, y AND z

>
```

**Figure 10-52: Example of response from ? f (HELP on LP FILTER -3dB FREQUENCY) command**

```
>? m
m <sampl.freq>: CHANGES THE SAMPLE RATE [samples/s]
  ALLOWED VALUES FOR <sampl.freq> = 125, 250, 500, 1000, 2000 AND 0 (EXTERNAL TRIGGER)

>
```

**Figure 10-53: Example of response from ? m (HELP on SAMPLE RATE) command**

```
>? s
s: SAVES SYSTEM PARAMETERS TO FLASH

>
```

**Figure 10-54: Example of response from ? s (HELP on SAVE) command**

```
>? z
z: RESTORES FACTORY SETTINGS

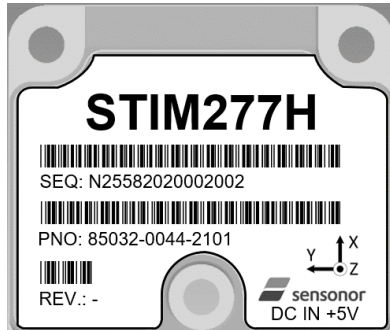
>
```

**Figure 10-55: Example of response from ? z (HELP on RESTORES TO FACTORY SETTINGS) command**

```
>? x
x n: EXITS SERVICE MODE AND RETURNS TO NORMAL MODE
x i: EXITS SERVICE MODE AND RETURNS TO INIT MODE
x N: EXITS SERVICE MODE AND RETURNS IMMEDIATELY TO NORMAL MODE
x I: EXITS SERVICE MODE AND RETURNS IMMEDIATELY TO INIT MODE
NB: NON-SAVED SYSTEM PARAMETERS WILL BE OVERWRITTEN BY STORED CONTENT IN FLASH WHEN EXITING TO INIT MODE

>
```

**Figure 10-56: Example of response from ? x (HELP on EXIT) command**

**11 PACKAGING AND MARKING**
**11.1 Product marking**

**Figure 11-1: Example of marking of STIM277H**

The label will not be attached to the product but delivered in a separate pocket in the packaging bag, ref. section 11.2.

**11.2 Packaging**

The STIM277H is packaged in accordance with ECSS-Q-ST-20-08C.

The product is cleaned and placed in a sealed bag in a contamination-controlled environment. The product-label is placed in a separate pocket as shown in Figure 11-2:

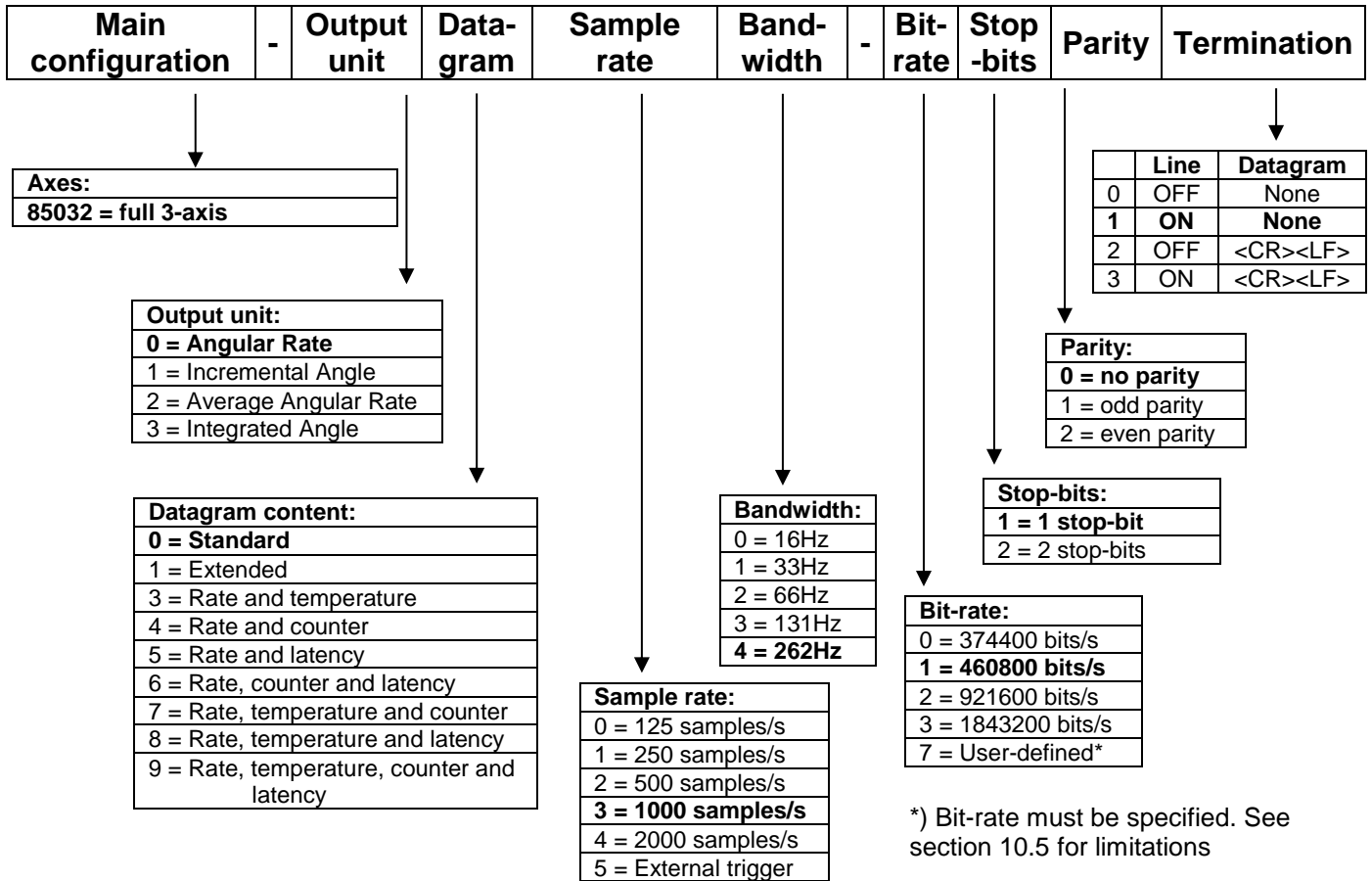

**Figure 11-2: Sealed bag with product-label in separate pocket**

The sealed bag is then placed in a sealed transportation bag in a contamination-controlled environment as shown in Figure 11-3:


**Figure 11-3: Sealed transportation bag**

### 12 PART NUMBER / ORDERING INFORMATION

Configuration options in **bold** letters are the standard option.



Example: part number 85032-0032-1211 has the following configuration:

- X, Y and Z axis
- Angular Rate Output [°/s]
- Standard Datagram
- 1000 samples/s
- -3dB bandwidth = 66Hz
- Bit-rate = 460800 bits/s
- 2 stop-bits
- Odd parity
- Line termination ON
- No datagram termination

## NOTES

Information furnished by Sensoror is believed to be accurate and reliable. However, no responsibility is assumed by Sensoror for its use, nor for any infringements of patents or other rights of third parties that may result from its use. Sensoror reserves the right to make changes without further notice to any products herein. Sensoror makes no warranty, representation or guarantee regarding the suitability of its products for any particular purpose, nor does Sensoror assume any liability arising out of the application or use of any product or circuit, and specifically disclaims any and all liability, including without limitation consequential or incidental damages. No license is granted by implication or otherwise under any patent or patent rights of Sensoror. Trademarks and registered trademarks are the property of their respective owners. Sensoror products are not intended for any application in which the failure of the Sensoror product could create a situation where personal injury or death may occur. Should Buyer purchase or use Sensoror products for any such unintended or unauthorized application, Buyer shall indemnify and hold Sensoror and its officers, employees, subsidiaries, affiliates, and distributors harmless against all claims, costs, damages, and expenses, and reasonable legal fees arising out of, directly or indirectly, any claim of personal injury or death associated with such unintended or unauthorized use, even if such claim alleges that Sensoror was negligent regarding the design or manufacture of the part.

**Sensoror AS**

Phone: +47 3303 5000 - Fax: +47 3303 5005

[sales@sensoror.com](mailto:sales@sensoror.com)[www.sensoror.com](http://www.sensoror.com)