

# STIM318

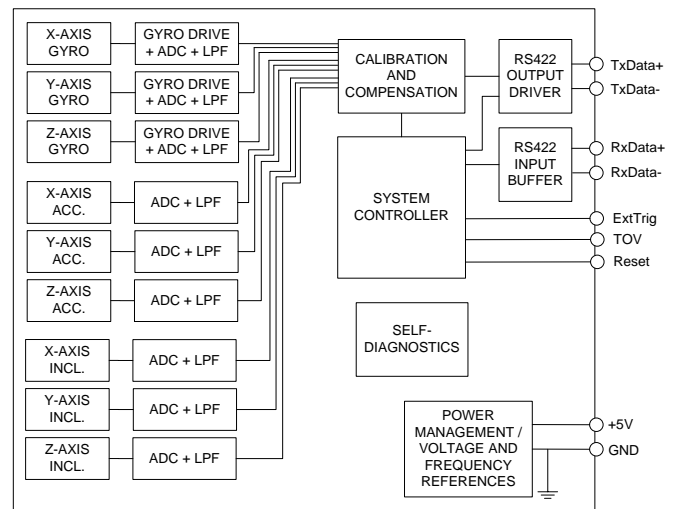
## Inertial Measurement Unit



### FEATURES:

- Miniature package
- Low noise
- Low bias instability
- Excellent performance in vibration and shock environments
- 9 axes offered in same package
  - Electronically calibrated axis alignment
- Gyros based on Safran ButterflyGyro™
  - Single-crystal silicon technology
  - No intrinsic wear-out effects
- High stability accelerometers and inclinometers
- Insensitive to magnetic fields
- Full EMI compliance
- Digital interface, RS422
- Fully configurable
- Continuous self-diagnostics
- RoHS compatible

### BLOCK DIAGRAM:



## 1 GENERAL DESCRIPTION

STIM318 is an IMU consisting of 3 high accuracy MEMS-based gyros, 3 high stability accelerometers and 3 high stability inclinometers in a miniature package. Each axis is factory-calibrated for bias, scale-factor and compensated for temperature effects to provide high-accuracy measurements in the temperature range -40°C to +85°C. The unit runs off a single +5V supply.

STIM318 communicates via a standard high-level RS422 interface. The use of a 32-bit RISC ARM microcontroller provides flexibility in the configuration, like choice of output unit, sample rate, low pass filter -3dB frequency and RS422 bit-rate and protocol parameters. All configurable parameters can be defined when ordering or set by customer.

When STIM318 is powered up, it will perform an internal system check and synchronize the sensor channels. As an acknowledgement of the complete power-up sequence, it will provide special datagrams containing part number, serial number, configuration and bias trim offset data. STIM318 will then automatically proceed to provide measurement data.

The measurement data is transmitted as packages of data on a fixed format (datagram) at intervals given by the sample rate together with a synchronization signal (TOV). The datagram is in binary coded format in order to have an efficient transfer of data. In addition to the measurement data itself, the datagram contains an identifier, status bytes and a 32 bit CRC (Cyclic Redundancy Check) to provide high degree of fault detection in the transmissions. The status bytes will flag any detected errors in the system. STIM318 can also be configured to transmit data only when triggered by a separate digital input signal (ExtTrig).

For more advanced users, the IMU may be put in Service Mode. In this mode all the configuration parameters can be intermediately or permanently changed by overwriting the current settings in the flash memory. In Service Mode the commands and responses are in a human readable format (ASCII); to enable the use of terminal-type software during typical product integration. Service Mode also provides the ability to perform single measurements, perform diagnostics and obtain a higher detail level of detected errors reported in the status bytes.

Finally, STIM318 may be put in Bias Trim Offset Mode. In this mode the user may trim the biases of all nine axes individually. The bias offsets can be stored in the flash memory to remain in effect after powering off the IMU.

## 2 TABLE OF CONTENTS

1	GENERAL DESCRIPTION.....	2
2	TABLE OF CONTENTS .....	3
3	DEFINITIONS AND ABBREVIATIONS USED IN DOCUMENT .....	5
3.1	Definitions.....	5
3.2	Abbreviations.....	5
4	ABSOLUTE MAXIMUM RATINGS.....	5
5	SPECIFICATIONS.....	6
5.1	Functional Specifications.....	6
5.1.1	General .....	6
5.1.2	Gyros.....	8
5.1.3	5g accelerometers.....	9
5.1.4	10g accelerometers.....	10
5.1.5	30g accelerometers.....	11
5.1.6	80g accelerometers.....	12
5.2	Typical performance characteristics.....	14
5.2.1	Gyro characteristics .....	14
5.2.2	Accelerometer characteristics.....	18
5.2.3	Inclinometer characteristics .....	21
5.3	Configurable parameters.....	24
5.4	Datagram specifications .....	25
5.4.1	Part Number datagram .....	25
5.4.2	Serial Number datagram .....	26
5.4.3	Configuration datagram .....	27
5.4.4	Bias Trim Offset datagram .....	30
5.4.5	Extended Error Information datagram.....	31
5.4.6	Normal Mode datagram .....	32
5.4.7	Cyclic Redundancy Check (CRC).....	33
5.5	Status byte .....	34
6	MECHANICAL .....	35
6.1	Mechanical dimensions.....	35
6.2	Advice on mounting orientation.....	36
6.3	Pin configuration.....	36
6.4	Definition of axes.....	36
7	BASIC OPERATION.....	38
7.1	Reset.....	38
7.2	External Trigger.....	38
7.3	Time of Validity (TOV).....	39
7.4	Operating modes.....	40
7.4.1	Init Mode .....	41
7.4.2	Normal Mode.....	41
7.4.3	Service Mode .....	48
7.4.4	Bias Trim Offset Mode .....	49
7.5	Self-diagnostics .....	49
8	COMMANDS IN NORMAL MODE .....	50
8.1	N (PART NUMBER DATAGRAM) command.....	50
8.2	I (SERIAL NUMBER DATAGRAM) command .....	50
8.3	C (CONFIGURATION DATAGRAM) command.....	51
8.4	T (BIAS TRIM OFFSET DATAGRAM) command.....	51
8.5	E (EXTENDED ERROR INFORMATION DATAGRAM) command .....	51
8.6	R (RESET) command.....	51
8.7	SERVICEMODE command.....	52
8.8	BTOMODE command .....	53
9	COMMANDS IN SERVICE MODE .....	54
9.1	i (INFORMATION) command .....	55
9.2	a (SINGLE-SHOT MEASUREMENT) command .....	60
9.3	c (DIAGNOSTIC) command.....	62
9.4	d (DATAGRAM FORMAT) command .....	64
9.5	t (TRANSMISSION PARAMETERS) command.....	65
9.5.1	User-defined bit-rate .....	65
9.6	r (LINE TERMINATION) command .....	67
9.7	u (OUTPUT UNIT) command.....	68
9.8	f (LP FILTER -3dB FREQUENCY) command.....	69

9.9	m (SAMPLE RATE) command.....	71
9.10	g (GYRO G-COMP) command.....	72
9.11	b (BIAS TRIM OFFSET) command.....	75
9.12	s (SAVE) command.....	77
9.13	x (EXIT) command.....	78
9.14	z (RESTORE TO FACTORY SETTINGS) command.....	80
9.15	? (HELP) command.....	82
10	COMMANDS IN BIAS TRIM OFFSET MODE.....	88
10.1	Acknowledgement for entering Bias Trim Offset Mode.....	88
10.2	Command protocol for Bias Trim Offset Mode.....	88
10.2.1	Command string.....	88
10.2.2	Response string.....	88
10.2.3	Checksum.....	88
10.2.4	Command status codes.....	89
10.3	Info commands.....	90
10.3.1	\$ibto.....	90
10.3.2	\$isv.....	90
10.3.3	\$irf.....	90
10.3.4	\$isn.....	91
10.3.5	\$ix.....	91
10.4	Programming commands.....	92
10.4.1	\$sdbto.....	92
10.4.2	\$sbto.....	93
10.4.3	\$srf.....	93
10.5	General commands.....	94
10.5.1	\$save.....	94
10.5.2	\$xn.....	94
11	MARKING.....	94
12	CONFIGURATION / ORDERING INFORMATION.....	95

### 3 DEFINITIONS AND ABBREVIATIONS USED IN DOCUMENT

#### 3.1 Definitions

$g_0 = 9.80665 \text{ m/s}^2$  (standard gravity)

#### 3.2 Abbreviations

**Table 3-1: Abbreviations**

ABBREVIATION	FULL NAME
BCD	Binary Coded Decimal
BSL	Best Straight Line
BTO	Bias Trim Offset
CIC-filter	Cascaded Integrator-Comb filter
CR	Carriage Return
CRC	Cyclic Redundancy Check
ESD	Electro-Static Discharge
ExtTrig	External Trigger
GND	Ground
IMU	Inertial Measurement Unit
LF	Line Feed
LP filter	Low-Pass filter
MEMS	Micro Electro Mechanical Structure
NRST	Negative (active) Reset
rms	root mean square
RxD	Receive Data
TOV	Time of Validity
TxD	Transmit Data
VRC	Vibration rectification Coefficient
VSUP	Voltage supply

### 4 ABSOLUTE MAXIMUM RATINGS

Stresses beyond those listed in Table 4-1 may cause permanent damage to the device.

Exposure to any Absolute Maximum Rating condition for extended periods may affect device reliability and lifetime.

**Table 4-1: Absolute maximum ratings**

Parameter	Rating	Comment
Mechanical shock	1 500g/0.5ms half-sine	Any direction. Ref: MIL STD-883G
ESD human body model	±2kV	Ref: JEDEC/ESDA JS-001
Storage temperature	-55°C to +90°C	Up to 1000 hours
VSUP to GND	-0.5 to +7V	
RxD+ or RxD- to GND	-0.3V to +7V	
RxD+ to RxD-	±6V	with 120Ω Line Termination = ON
TxD+ or TxD- to GND	-8V to +8V	
ExtTrig to GND	-0.3V to +7V	
TOV to GND	-0.3V to +7V	
NRST to GND	-0.3V to +7V	
Chassis to GND	500VDC	
Helium sensitivity		Not to be exposed to helium concentrations higher than those normally found in the atmosphere

## 5 SPECIFICATIONS

**Table 5-1: Operating conditions**

Parameter	Conditions	Min	Nom	Max	Unit	Note
<b>INPUT RANGE, ANGULAR RATE</b>			±400		°/s	
<b>INPUT RANGE, ACCELERATION</b>			±10		g	1
<b>INPUT RANGE, INCLINATION</b>			±1.7		g	
<b>POWER SUPPLY</b>		4.5	5.0	5.5	V	2,3
<b>OPERATING TEMPERATURE</b>		-40		+85	°C	

Note 1: Other ranges available, ref. Table 5-4 (5g), Table 5-6 (30g) and Table 5-7 (80g)

Note 2: At supply voltages above 5.85V (nominal value) an internal voltage protection circuit will cut power and the unit will go into reset until the voltage is back within operating conditions.

Note 3: At supply voltages below 4.05V (nominal value) the unit will go into reset until the voltage is back within operating conditions. Due to power consumption being much lower in reset compared to normal operation, the series resistance between power source and STIM318 could give rise to an oscillating behaviour of the input voltage to the unit.

### 5.1 Functional Specifications

#### 5.1.1 General

**Table 5-2: Functional specifications, general**

Parameter	Conditions	Min	Nom	Max	Unit	Note
<b>POWER CONSUMPTION</b> Power consumption			1.8	2.5	W	
<b>TIMING</b> Start-Up time after Power-On				0.3	s	1
Time to transmit after Reset				0.2	s	2
Time to valid data			0.7		s	3
RS422 Bit-Rate	T=+25°C		ref. Table 5-10	1	s	3
RS422 Bit-Rate Accuracy				±1	%	4
<b>RS422 PROTOCOL</b> Start Bit			1		bit	
Data Length			8		bits	
Parity			None			5
Stop Bits			1		bit	5
<b>RS422 LINE TERMINATION</b> Input resistance	Line termination = ON		120		Ω	
Input resistance	Line termination = OFF	48	125		kΩ	
<b>RESET (NRST PIN)</b> Logic levels	“high”	2.3			V	
	“low”			0.6	V	
Minimum hold time for reset		1			μs	
Pull-Up Resistor		80	100		kΩ	
<b>EXTERNAL TRIGGER (ExtTrig PIN)</b> Logic levels	“high”	2.3			V	
	“low”			0.6	V	
Trigger				Negative transition		
Time between triggers	Measurement unit:					
	angular rate	0.5		127	ms	6,7
	incremental angle	0.5		127	ms	6,8
	average rate	0.5		65	ms	6,9
	integrated angle	0.5		8	ms	6,10
Minimum “high” time before trigger, $t_{ext\_hi}$		250			ns	11
Minimum “low” time after trigger, $t_{ext\_lo}$		250			ns	11
Delay from external trigger to start of transmission, $t_{ext\_dl}$				86	μs	11
Pull-Up Resistor		40	50		kΩ	

Latency		1000	μs	
<b>TIME OF VALIDITY (TOV PIN)</b>				
Output configuration		Open drain with internal pull up		
V <sub>OH</sub>	I <sub>OH</sub> = -10μA	0.9 VSUP		
	I <sub>OH</sub> = -100μA	0.7 VSUP		
V <sub>OL</sub>	I <sub>OL</sub> = 10mA	0.1V		
TOV active level		Active "low"		
Minimum time of TOV, t <sub>tov_min</sub>		50	μs	12
Delay from internal time-tick to TOV active, t <sub>tov_dl</sub>		1.2	μs	12
Delay from TOV active (to start of transmission, t <sub>tx_dl</sub> )		80	μs	12
<b>CHASSIS</b>				
Isolation resistance chassis to GND (pin 15)	500VDC	100	MΩ	

Note 1: Time from Power-On to start of datagram transmissions (starting with part-number datagram)

Note 2: Time from Reset release to start of datagram transmissions (starting with part-number datagram)

Note 3: Time from Power-On or Reset to the reset of the Start-Up bit (Bit 6 in the STATUS byte ref. Table 5-21).

During this period the output data should be regarded as non-valid.

Note 4: If a user-defined bit-rate larger than 1.5Mbit/s is used, the deviation may exceed the specification due to the resolution of the bit-rate generator, ref. section 9.5.1

Note 5: Other values can be configured, ref. Table 5-10

Note 6: If time between triggers is longer than 127ms, the sample counter will over-run

Note 7: Time between triggers should be carefully evaluated as long time between triggers in combination with high bandwidths could lead to issues related to folding. Similar for accelerometer and inclinometer outputs

Note 8: If time between triggers is longer than 8ms, an overload may occur in the incremental angle. An overload will be flagged in the status byte, ref. Table 5-21. Similar for accelerometer and inclinometer outputs

Note 9: If time between triggers is longer, the accuracy of average rate may also be reduced. Similar for accelerometer and inclinometer outputs

Note 10: If time between triggers is longer, the integrated angle may have wrapped several times and hence the change in angle from last sample will not be possible to calculate. Similar for accelerometer and inclinometer outputs

Note 11: For definition, ref. Figure 7-3

Note 12: For definition, ref. Figure 7-4 and Figure 7-5

## 5.1.2 Gyros

**Table 5-3: Functional specifications, gyros**

Parameter	Conditions	Min	Nom	Max	Unit	Note
<b>GYRO</b>						
Full Scale (FS)			±400		°/s	1
Resolution			24		bits	
			0.22		°/h	
Scale Factor Accuracy			±500		ppm	
Non-Linearity	±200°/s		15		ppm	2
	±400°/s		20		ppm	2
Bandwidth (-3dB)			262		Hz	3
Sample Rate				2000	samples/s	4
Group Delay	LP-filter -3dB = 262Hz		2.2		ms	5
	LP-filter -3dB = 131Hz		3.7		ms	5
	LP-filter -3dB = 66Hz		6.7		ms	5
	LP-filter -3dB = 33Hz		12.7		ms	5
	LP-filter -3dB = 16Hz		24.7		ms	5
Bias Range		-250	0	+250	°/h	
Bias Trim offset range			±1		°/s	
Bias Run-Run			4		°/h	
Drift Rate Stability			3		°/h	
Bias error over temperature	Static temperatures		9		°/h	6
Bias error over temperature gradients	$\Delta T \leq \pm 1^\circ\text{C}/\text{min}$		10		°/h	7
Bias Instability	Allan Variance @25°C		0.3		°/h	
Angular Random Walk	Allan Variance @25°C		0.15		°/√h	
Linear Acceleration Effect						
Bias	With g-compensation		1		°/h /g	8
	No g-compensation		7		°/h /g	8
Scale Factor	With g-compensation		50		ppm/g	8
	No g-compensation		400		ppm/g	8
Vibration Rectification Coefficient			Ref. Figure 5-1		°/h /g <sub>rms</sub> <sup>2</sup>	
Misalignment			1		mrad	9
Orthogonality			0.2		mrad	10

Note 1: Output is monotonous and will saturate at ±480°/s

Note 2: Largest deviation from BSL (Best Straight Line) over the range specified

Note 3: Low-pass filter -3dB frequency can be configured, ref. Table 5-10 and section 5.2.1.4

Note 4: Other values can be configured, ref. Table 5-10. Sample rate will be same for gyros, accelerometers, inclinometers and temperature

Note 5: Total delay to start of datagram transmission = group delay + 0.5ms +  $t_{\text{tov\_dl}}$  +  $t_{\text{tx\_dl}}$ . For output units with delayed output, the group delay will be 1.0ms longer, ref. section 7.4.2.2.1. For more details, see TS1631 Application Note "Timing details between sampling and datagram transmission"

Note 6: rms-value calculated on the residuals at static temperatures over the temperature range

Note 7: rms-value calculated on the residual over two temperature-cycles, ref. Figure 5-5

Note 8: Section 6.2 gives advice on sensitive directions

Note 9: Ref. Figure 6-5 for definition of reference points used in axis alignment

Note 10: Gyros, accelerometers and inclinometers are calibrated in the same test-insertion to ensure minimum misalignment between the three sensor-axis systems



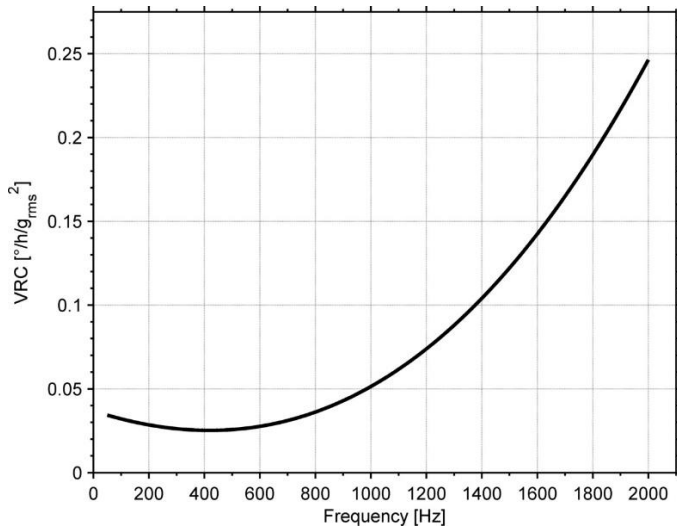


Figure 5-1: Nominal VRC at 20g rms for gyros (ref. section 6.2 for sensitive directions to acceleration-forces)

### 5.1.3 5g accelerometers

Table 5-4: Functional specifications, 5g accelerometers

Parameter	Conditions	Min	Nom	Max	Unit	Note
<b>ACCELEROMETER</b>						
Full Scale (FS)			±5		g	1
Resolution			24		bits	
Scale Factor Accuracy			1.0		µg	
Scale Factor 1 year stability			±200		ppm	
Non-Linearity	±5g		600		ppm	2
Bandwidth (-3dB)	LP-filter -3dB = 262Hz	150	208		Hz	3
Sample Rate				2000	samples/s	4
Group Delay	LP-filter -3dB = 262Hz		3.1		ms	5
	LP-filter -3dB = 131Hz		4.6		ms	5
	LP-filter -3dB = 66Hz		7.6		ms	5
	LP-filter -3dB = 33Hz		14		ms	5
	LP-filter -3dB = 16Hz		26		ms	5
Bias 1 year stability, STIM318		1.25	1.5		mg	
Bias 1 year stability, STIM318e			0.6		mg	6
Bias Trim offset range			±50		mg	
Bias error over temperature	ΔT ≤ ±1°C/min		0.5		mg rms	
Bias Instability	Allan Variance @25°C		0.002		mg	
Velocity Random Walk	Allan Variance @25°C		0.008		m/s/√h	
Misalignment			1		mrad	7
Orthogonality			0.2		mrad	8

Note 1: Overload-bit in STATUS-byte (ref. section 5.5) will be set at 5.5g (+10% of range)

Note 2: Largest deviation from BSL (Best Straight Line) over the range specified

Note 3: Other values can be configured, ref. Table 5-10 and section 5.2.2.3

Note 4: Other values can be configured, ref. Table 5-10. Sample rate will be same for gyros, accelerometers, inclinometers and temperature

Note 5: Total delay to start of datagram transmission = group delay + 0.5ms + t<sub>toV\_dl</sub> + t<sub>tx\_dl</sub>. For more details, see TS1631 Application Note "Timing details between sampling and datagram transmission"

Note 6: STIM318e will require export-license

Note 7: Ref. Figure 6-5 for definition of reference points used in axis alignment

Note 8: Gyros, accelerometers and inclinometers are calibrated in the same test-insertion to ensure minimum misalignment between the three sensor-axis systems

### 5.1.4 10g accelerometers

**Table 5-5: Functional specifications, 10g accelerometers**

Parameter	Conditions	Min	Nom	Max	Unit	Note
<b>ACCELEROMETER</b>						
Full Scale (FS)			±10		g	1
Resolution			24		bits	
			1.9		µg	
Scale Factor Accuracy			±200		ppm	
Scale Factor 1 year stability			600		ppm	
Non-Linearity	±10g		100		ppm	2
Bandwidth (-3dB)	LP-filter -3dB = 262Hz	150	225		Hz	3
Sample Rate				2000	samples/s	4
Group Delay	LP-filter -3dB = 262Hz		3.0		ms	5
	LP-filter -3dB = 131Hz		4.5		ms	5
	LP-filter -3dB = 66Hz		7.5		ms	5
	LP-filter -3dB = 33Hz		13		ms	5
	LP-filter -3dB = 16Hz		25		ms	5
Bias 1 year stability, STIM318		1.25	1.5		mg	
Bias 1 year stability, STIM318e			1.2		mg	6
Bias Trim offset range			±100		mg	
Bias error over temperature	ΔT ≤ ±1°C/min		0.7		mg rms	
Bias Instability	Allan Variance @25°C		0.003		mg	
Velocity Random Walk	Allan Variance @25°C		0.015		m/s/√h	
Vibration Rectification Coefficient			Ref. Figure 5-2		mg/g <sub>rms</sub> <sup>2</sup>	
Misalignment			1		mrad	7
Orthogonality			0.2		mrad	8

Note 1: Overload-bit in STATUS-byte (ref. section 5.5) will be set at 11g (+10% of range)

Note 2: Largest deviation from BSL (Best Straight Line) over the range specified

Note 3: Other values can be configured, ref. Table 5-10 and section 5.2.2.3

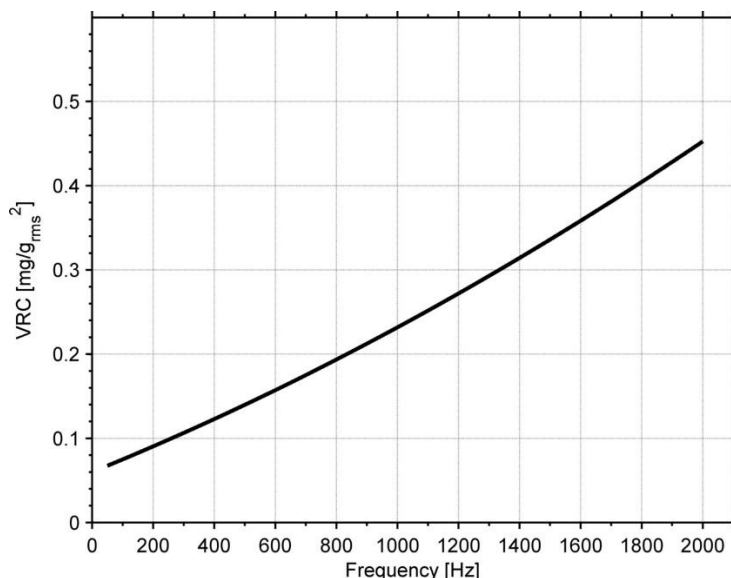
Note 4: Other values can be configured, ref. Table 5-10. Sample rate will be same for gyros, accelerometers, inclinometers and temperature

Note 5: Total delay to start of datagram transmission = group delay + 0.5ms + t<sub>toV\_dl</sub> + t<sub>tx\_dl</sub>. For more details, see TS1631 Application Note "Timing details between sampling and datagram transmission"

Note 6: STIM318e will require export-license

Note 7: Ref. Figure 6-5 for definition of reference points used in axis alignment

Note 8: Gyros, accelerometers and inclinometers are calibrated in the same test-insertion to ensure minimum misalignment between the three sensor-axis systems



**Figure 5-2: Nominal VRC at 10g rms for 10g accelerometers**

### 5.1.5 30g accelerometers

**Table 5-6: Functional specifications, 30g accelerometers**

Parameter	Conditions	Min	Nom	Max	Unit	Note
<b>ACCELEROMETER</b>						
Full Scale (FS)			±30		g	1
Resolution			24		bits	
			3.8		µg	
Scale Factor Accuracy			±300		ppm	
Scale Factor 1 year stability			600		ppm	
Non-Linearity	±30g		100		ppm	2
Bandwidth (-3dB)	LP-filter -3dB = 262Hz	150	257		Hz	3
Sample Rate				2000	samples/s	4
Group Delay	LP-filter -3dB = 262Hz		2.8		ms	5
	LP-filter -3dB = 131Hz		4.3		ms	5
	LP-filter -3dB = 66Hz		7.3		ms	5
	LP-filter -3dB = 33Hz		13		ms	5
	LP-filter -3dB = 16Hz		25		ms	5
Bias 1 year stability, STIM318			4		mg	
Bias Trim offset range			±300		mg	
Bias error over temperature	$\Delta T \leq \pm 1^\circ\text{C}/\text{min}$		1.5		mg rms	
Bias Instability	Allan Variance @25°C		0.01		mg	
Velocity Random Walk	Allan Variance @25°C		0.04		m/s/√h	
Misalignment			1		mrad	6
Orthogonality			0.2		mrad	7

Note 1: Overload-bit in STATUS-byte (ref. section 5.5) will be set at 32g

Note 2: Largest deviation from BSL (Best Straight Line) over the range specified

Note 3: Other values can be configured, ref. Table 5-10 and section 5.2.2.3

Note 4: Other values can be configured, ref. Table 5-10. Sample rate will be same for gyros, accelerometers, inclinometers and temperature

Note 5: Total delay to start of datagram transmission = group delay + 0.5ms +  $t_{\text{tov\_dl}}$  +  $t_{\text{tx\_dl}}$ . For more details, see TS1631 Application Note "Timing details between sampling and datagram transmission"

Note 6: Ref. Figure 6-5 for definition of reference points used in axis alignment

Note 7: Gyros, accelerometers and inclinometers are calibrated in the same test-insertion to ensure minimum misalignment between the three sensor-axis systems

## 5.1.6 80g accelerometers

**Table 5-7: Functional specifications, 80g accelerometers**

Parameter	Conditions	Min	Nom	Max	Unit	Note
<b>ACCELEROMETER</b>						
Full Scale (FS)			±80		g	1
Resolution			24		bits	
Scale Factor Accuracy	±30g		15.3		µg	
	±80g		±1000		ppm	
Scale Factor 1 year stability			±5		%	
Non-Linearity			600		ppm	
Bandwidth (-3dB)	±30g		1000		ppm	2
	±80g		1		%	2
Sample Rate	LP-filter -3dB = 262Hz	150	261		Hz	3
Group Delay				2000	samples/s	4
Bias 1 year stability, STIM318	LP-filter -3dB = 262Hz		2.7		ms	5
	LP-filter -3dB = 131Hz		4.2		ms	5
	LP-filter -3dB = 66Hz		7.2		ms	5
	LP-filter -3dB = 33Hz		13		ms	5
	LP-filter -3dB = 16Hz		25		ms	5
Bias Trim offset range			12		mg	
Bias error over temperature			±1000		mg	
Bias Instability	ΔT ≤ ±1°C/min		5		mg rms	
Velocity Random Walk	Allan Variance @25°C		0.03		mg	
Misalignment	Allan Variance @25°C		0.15		m/s/√h	
Orthogonality			1.5		mrad	6
			0.6		mrad	7

Note 1: Overload-bit in STATUS-byte (ref. section 5.5) will be set at 96g (+20% of range)

Note 2: Largest deviation from BSL (Best Straight Line) over the range specified

Note 3: Other values can be configured, ref. Table 5-10 and section 5.2.2.3

Note 4: Other values can be configured, ref. Table 5-10. Sample rate will be same for gyros, accelerometers, inclinometers and temperature

Note 5: Total delay to start of datagram transmission = group delay + 0.5ms +  $t_{tov\_dl}$  +  $t_{tx\_dl}$ . For more details, see TS1631 Application Note "Timing details between sampling and datagram transmission"

Note 6: Ref. Figure 6-5 for definition of reference points used in axis alignment

Note 7: Gyros, accelerometers and inclinometers are calibrated in the same test-insertion to ensure minimum misalignment between the three sensor-axis systems

**Table 5-8: Functional specifications, inclinometers**

Parameter	Conditions	Min	Nom	Max	Unit	Note
<b>INCLINOMETER</b>						
Full Scale (FS)			±1.7		g	1
Resolution			24		bits	
Scale Factor Accuracy	±1g		±500		µg	
Non-Linearity	±1g		250		ppm	2
Bandwidth (-3dB)			17		Hz	3
Sample Rate				2000	samples/s	4
Group Delay	LP-filter -3dB = 262Hz		11		ms	5
	LP-filter -3dB = 131Hz		14		ms	5
	LP-filter -3dB = 66Hz		16		ms	5
	LP-filter -3dB = 33Hz		22		ms	5
	LP-filter -3dB = 16Hz		34		ms	5
Bias trim offset range			±20		mg	
Bias error over temperature	ΔT ≤ ±1°C/min		±2		mg rms	
Bias Instability	Allan Variance @25°C		0.05		mg	6
Velocity Random Walk	Allan Variance @25°C		0.08		m/s/√h	6
Misalignment			1		mrاد	7
Orthogonality			0.2		mrاد	8

Note 1: Overload-bit in STATUS-byte (ref. section 5.5) will be set at ±1.87g (+10% of range)

Note 2: Largest deviation from BSL (Best Straight Line) over the range specified

Note 3: Other values can be configured, ref. Table 5-10 and section 5.2.3.3

Note 4: Other values can be configured, ref. Table 5-10. Sample rate will be same for gyros, accelerometers, inclinometers and temperature

Note 5: Total delay to start of datagram transmission = group delay + 0.5ms +  $t_{tov\_dl}$  +  $t_{tx\_dl}$ . For more details, see TS1631 Application Note "Timing details between sampling and datagram transmission"

Note 6: At 0g. Bias Instability and Velocity Random Walk increases by typically 35% at ±1g given by the chosen technology for the inclinometers

Note 7: Ref. Figure 6-5 for definition of reference points used in axis alignment

Note 8: Gyros, accelerometers and inclinometers are calibrated in the same test-insertion to ensure minimum misalignment between the three sensor-axis systems

**Table 5-9: Functional specifications, temperature**

Parameter	Conditions	Min	Nom	Max	Unit	Note
Resolution			0.0039		°C	
Bias Accuracy	@25°C		±5		°C	1
Scale factor accuracy			±5		%	
Sample Rate				2000	samples/s	2

Note 1: Temperature measured at gyros. Temperature calibrated at static condition and referred to ambient temperature

Note 2: Other values can be configured, ref. Table 5-10. Sample rate will be same for gyros, accelerometers, inclinometers and temperature

## 5.2 Typical performance characteristics

### 5.2.1 Gyro characteristics

#### 5.2.1.1 Root Allan Variance of gyro

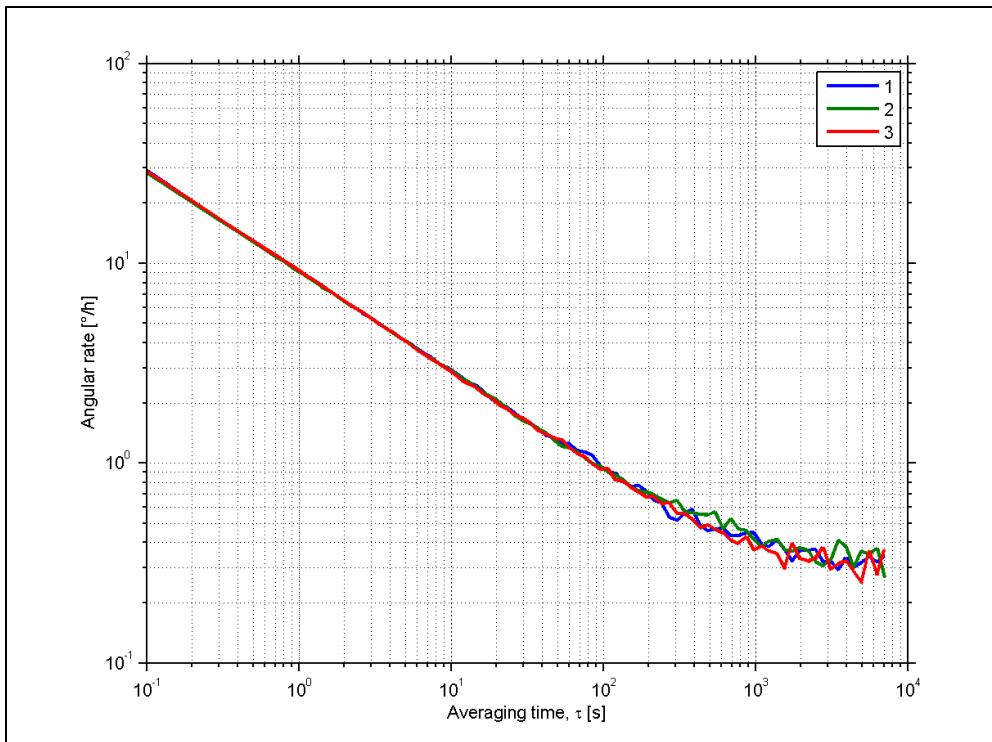


Figure 5-3: Typical Root Allan-Variance of gyro (400°/s gyro)

#### 5.2.1.2 Initial bias drift of gyro

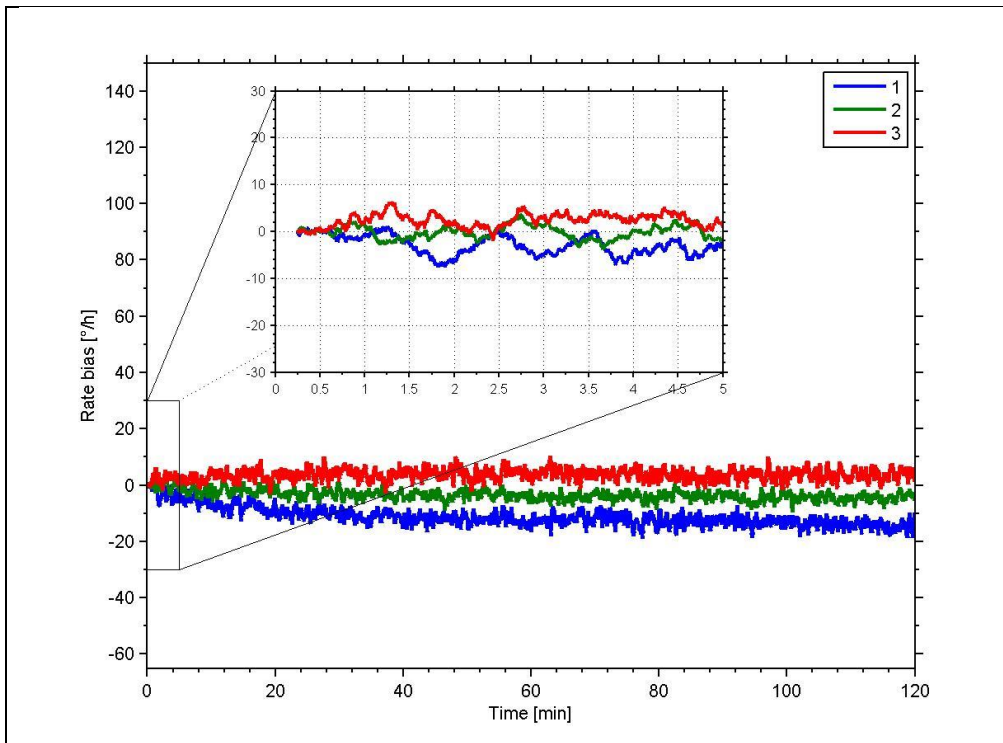


Figure 5-4: Typical normalized initial bias drift of gyro (400°/s gyro)

### 5.2.1.3 Bias drift over temperature

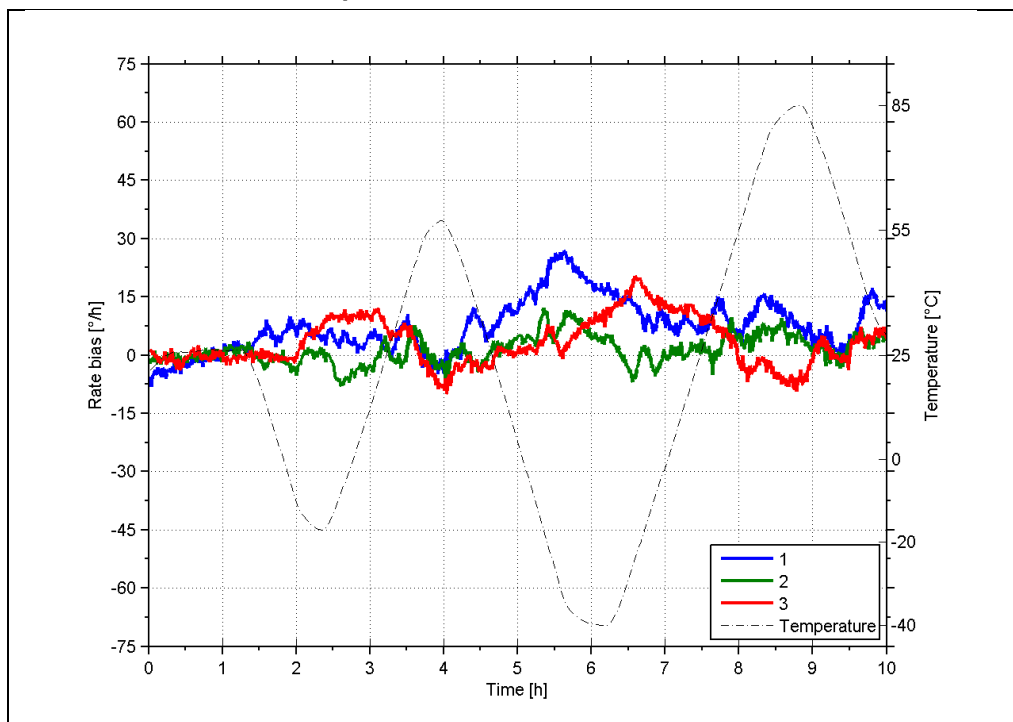


Figure 5-5: Typical Bias drift over temperature (400°/s gyro)

### 5.2.1.4 Frequency characteristics of gyros

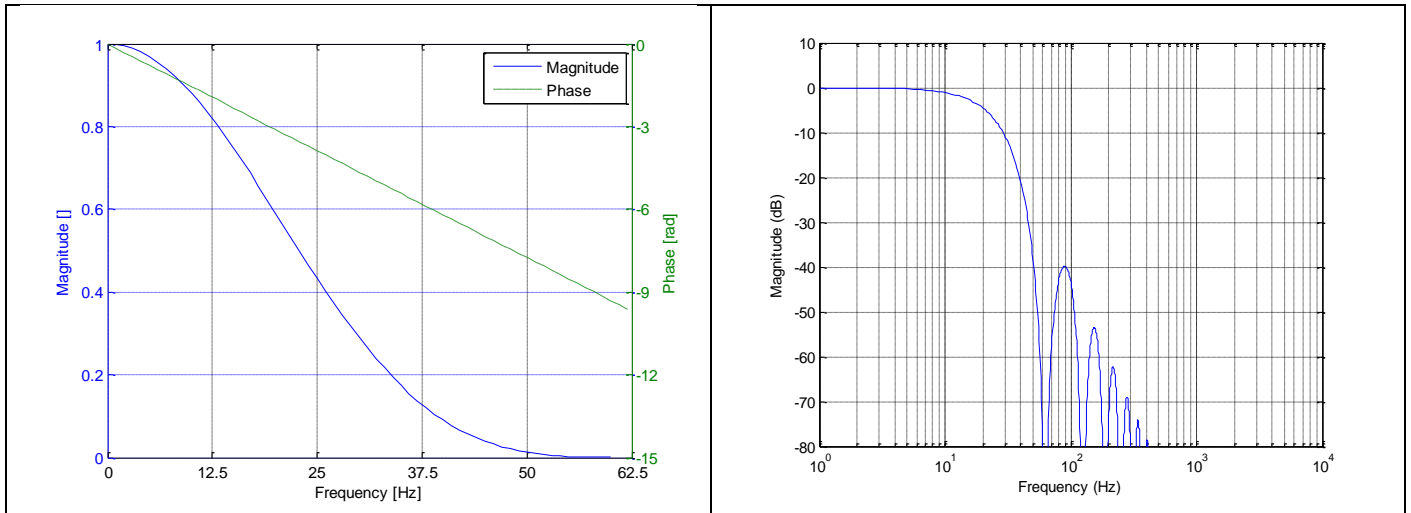


Figure 5-6: Frequency characteristics of gyros with low-pass filter -3dB frequency set to 16Hz

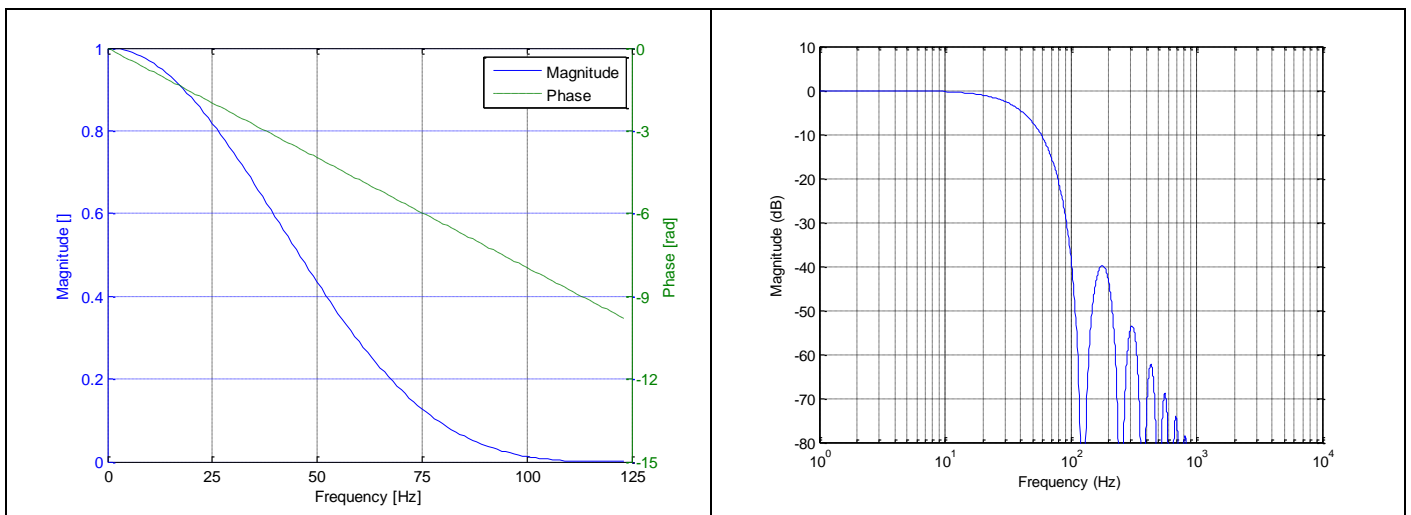


Figure 5-7: Frequency characteristics of gyros with low-pass filter -3dB frequency set to 33Hz

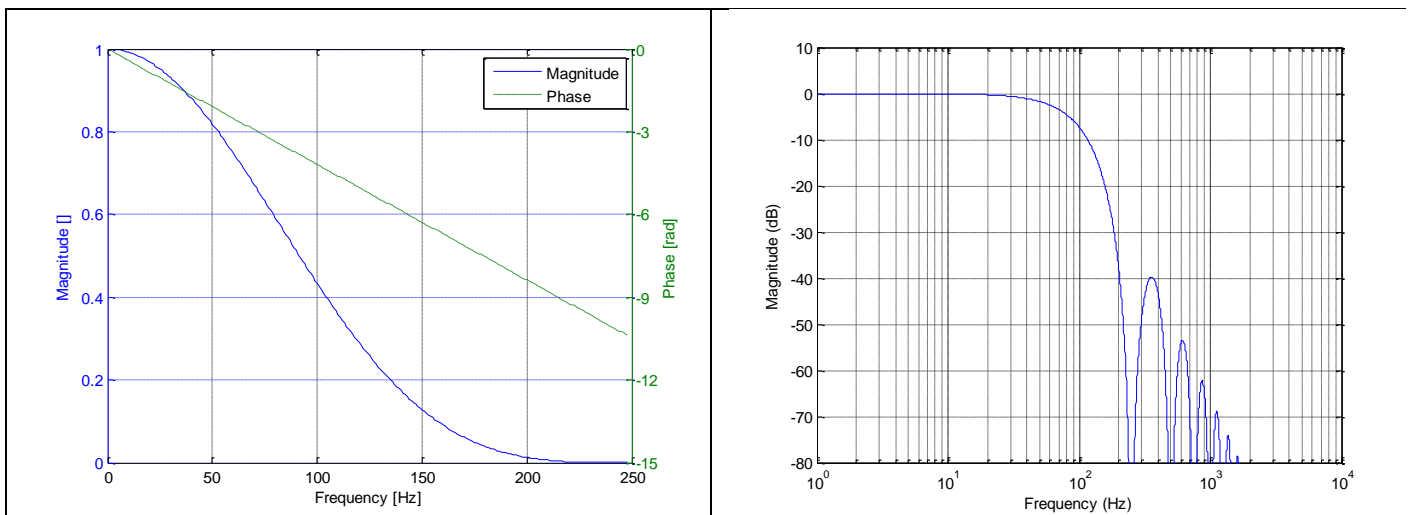
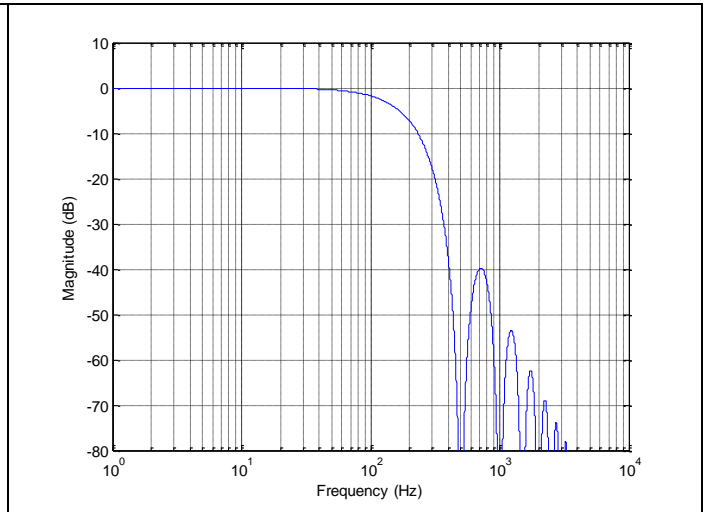
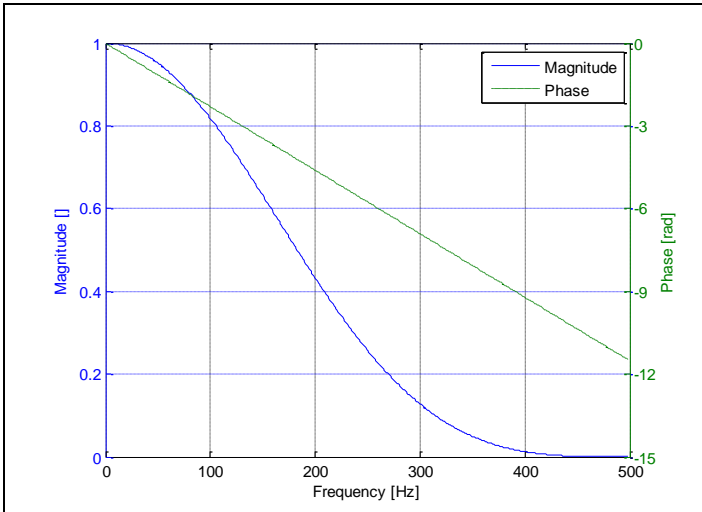
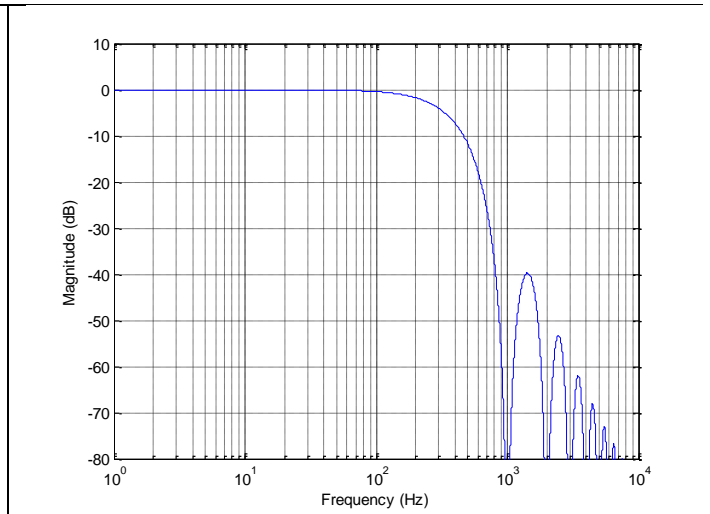
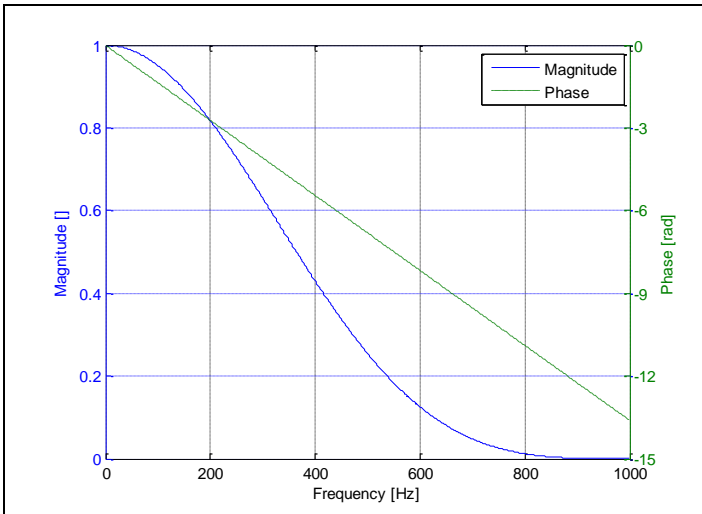


Figure 5-8: Frequency characteristics of gyros with low-pass filter -3dB frequency set to 66Hz





**Figure 5-9: Frequency characteristics of gyros with low-pass filter -3dB frequency set to 131Hz**



**Figure 5-10: Frequency characteristics of gyros with low-pass filter -3dB frequency set to 262Hz**

## 5.2.2 Accelerometer characteristics

### 5.2.2.1 Root Allan Variance of accelerometer

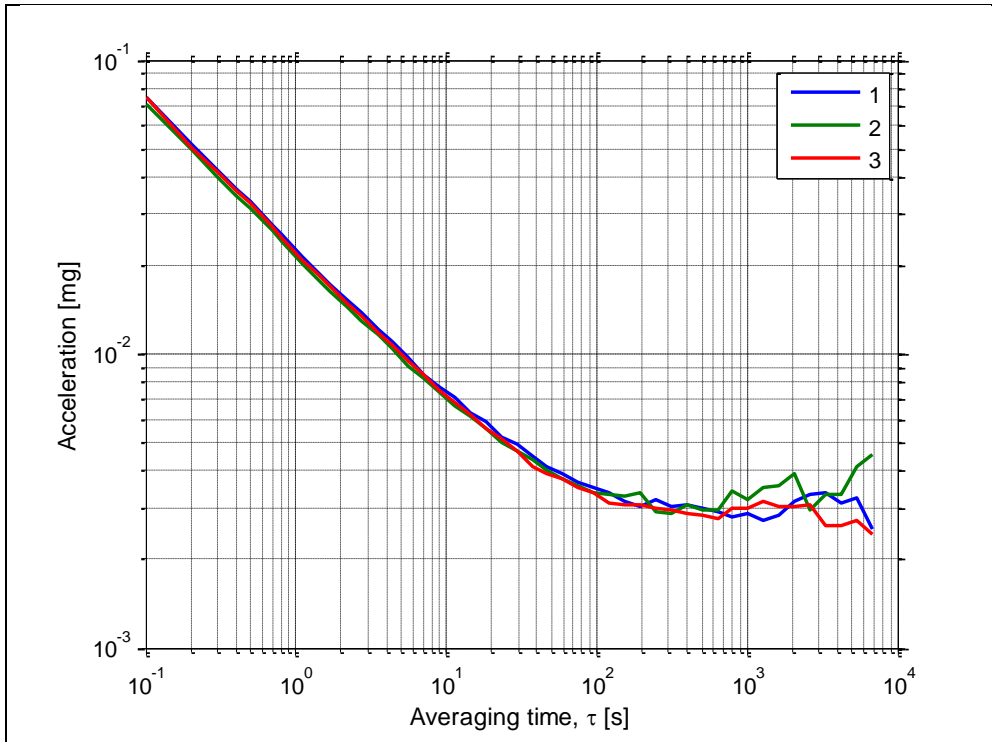


Figure 5-11: Typical Allan-Variance of accelerometer (10g accelerometer)

### 5.2.2.2 Initial bias drift of accelerometer

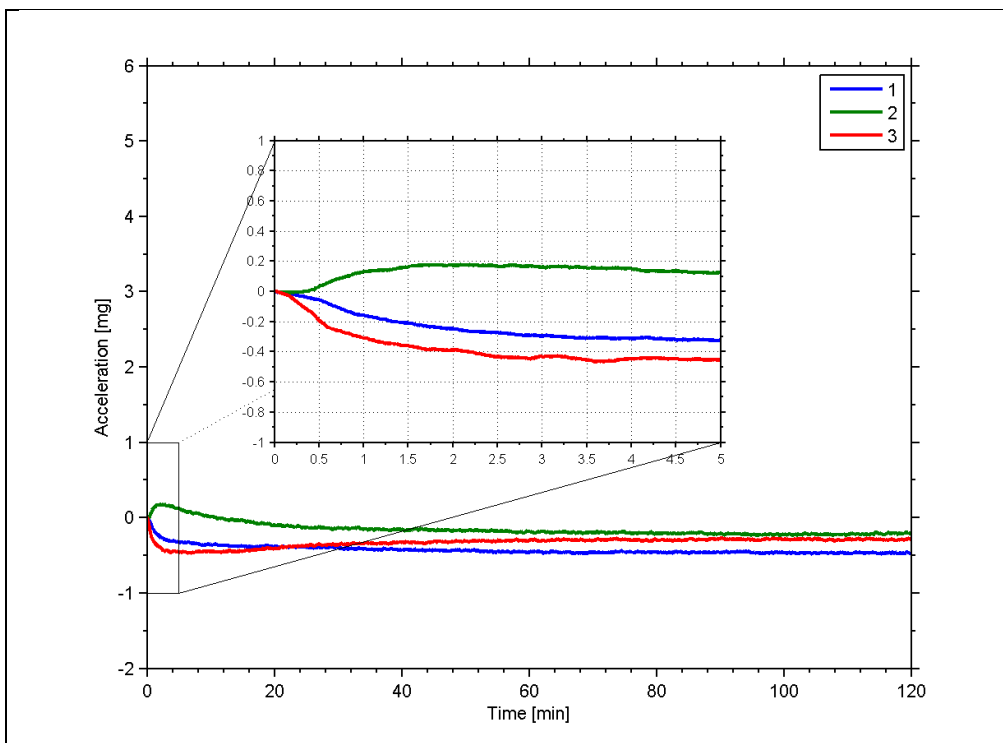
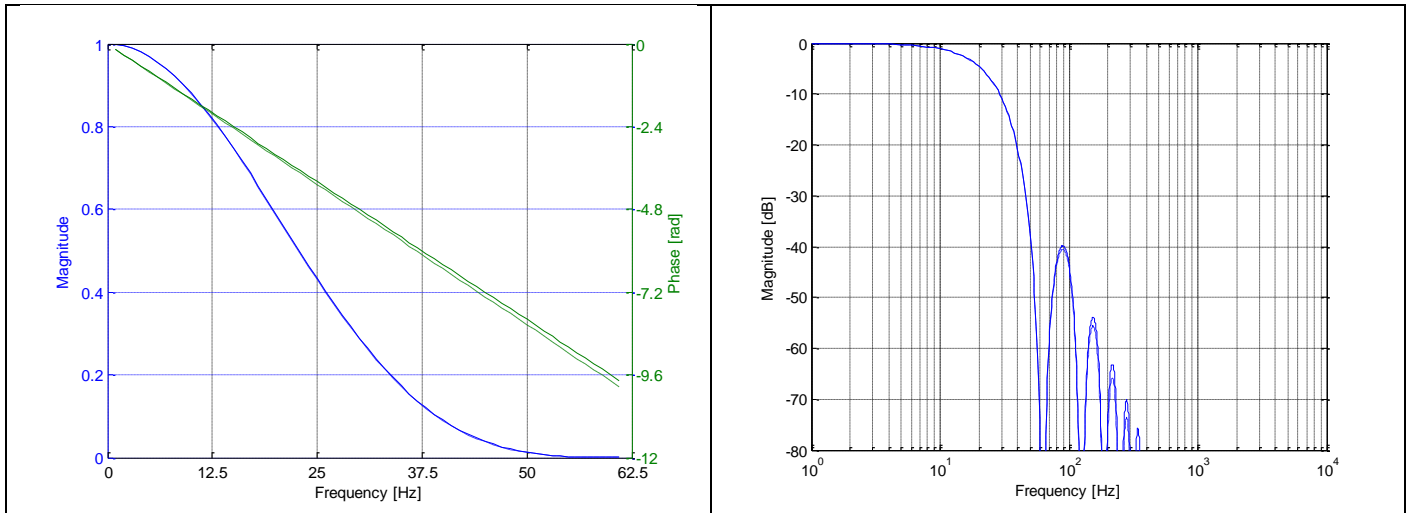
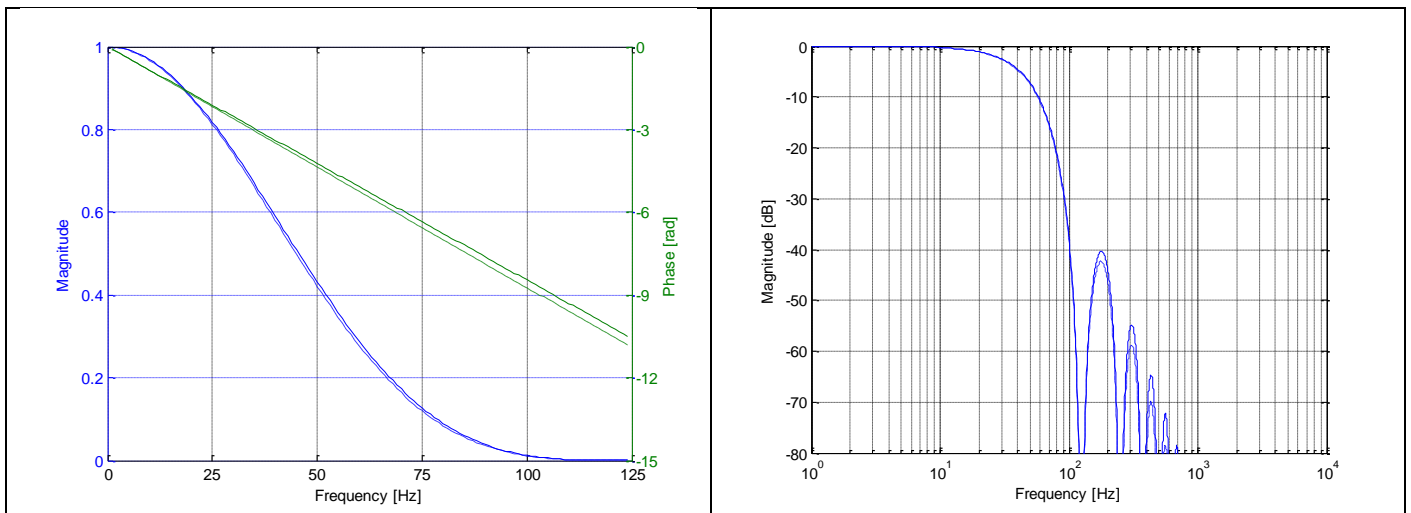


Figure 5-12: Typical normalized initial bias drift of accelerometer (10g accelerometer)

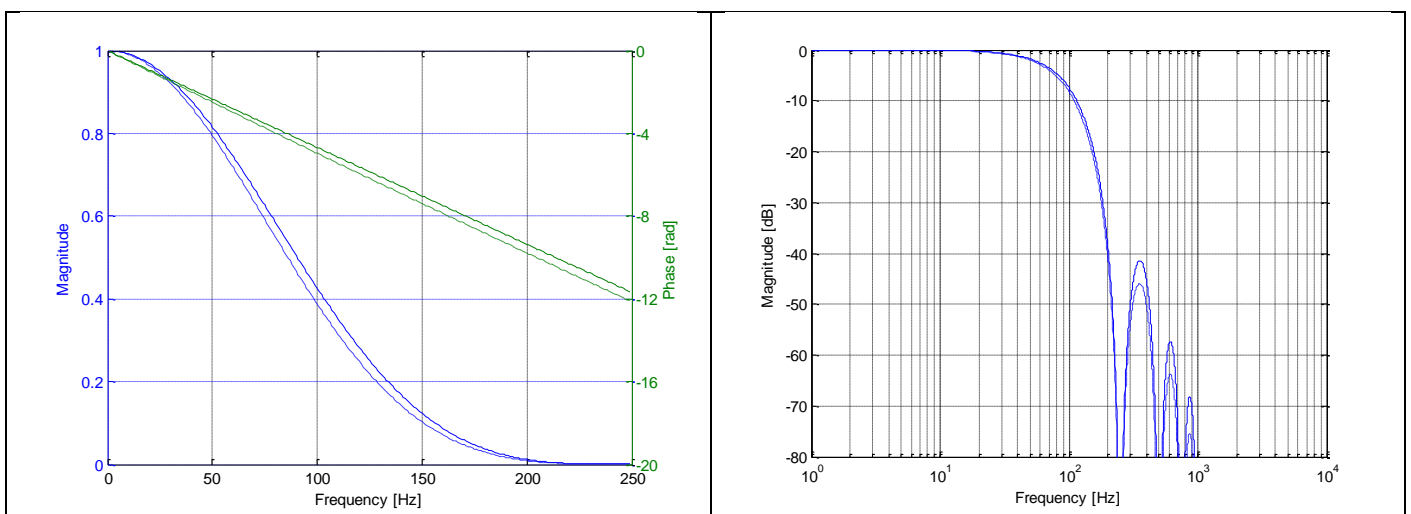
### 5.2.2.3 Frequency characteristics of accelerometers



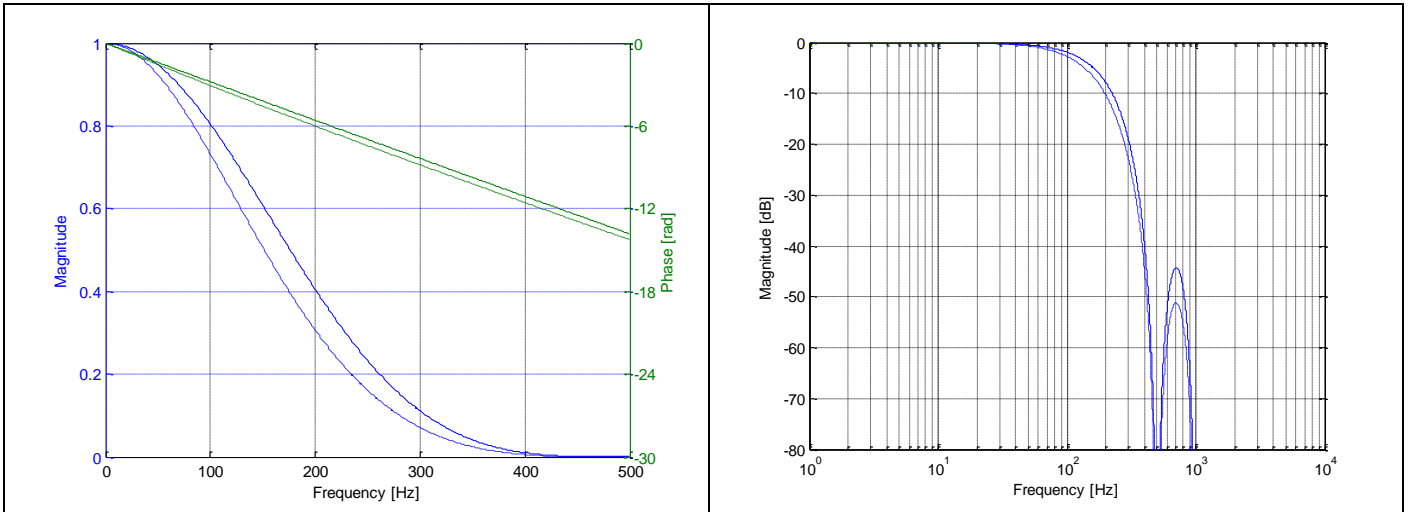
**Figure 5-13: Frequency characteristics of accelerometers with low-pass filter -3dB frequency set to 16Hz (solid line: nominal, dashed line: minimum bandwidth, limited by accelerometer)**



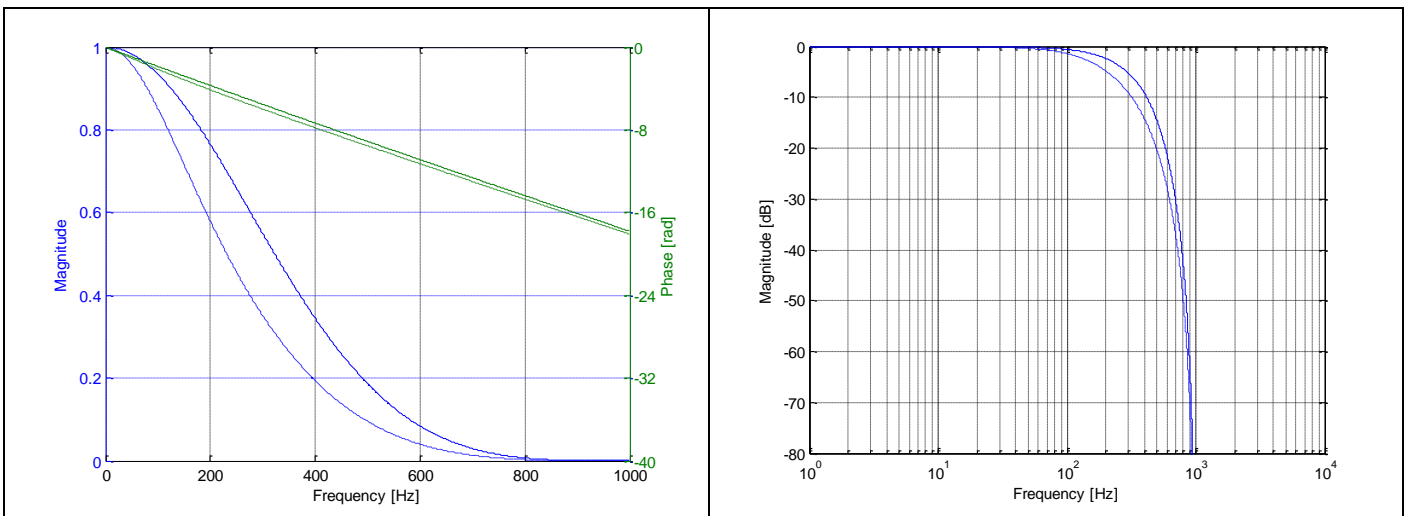
**Figure 5-14: Frequency characteristics of accelerometers with low-pass filter -3dB frequency set to 33Hz (solid line: nominal, dashed line: minimum bandwidth, limited by accelerometer)**



**Figure 5-15: Frequency characteristics of accelerometers with low-pass filter -3dB frequency set to 66Hz (solid line: nominal, dashed line: minimum bandwidth, limited by accelerometer)**



**Figure 5-16: Frequency characteristics of accelerometers with low-pass filter -3dB frequency set to 131Hz (solid line: nominal, dashed line: minimum bandwidth, limited by accelerometer)**



**Figure 5-17: Frequency characteristics of accelerometers with low-pass filter -3dB frequency set to 262Hz (solid line: nominal, dashed line: minimum bandwidth, limited by accelerometer)**

## 5.2.3 Inclinometer characteristics

### 5.2.3.1 Root Allan Variance of inclinometer

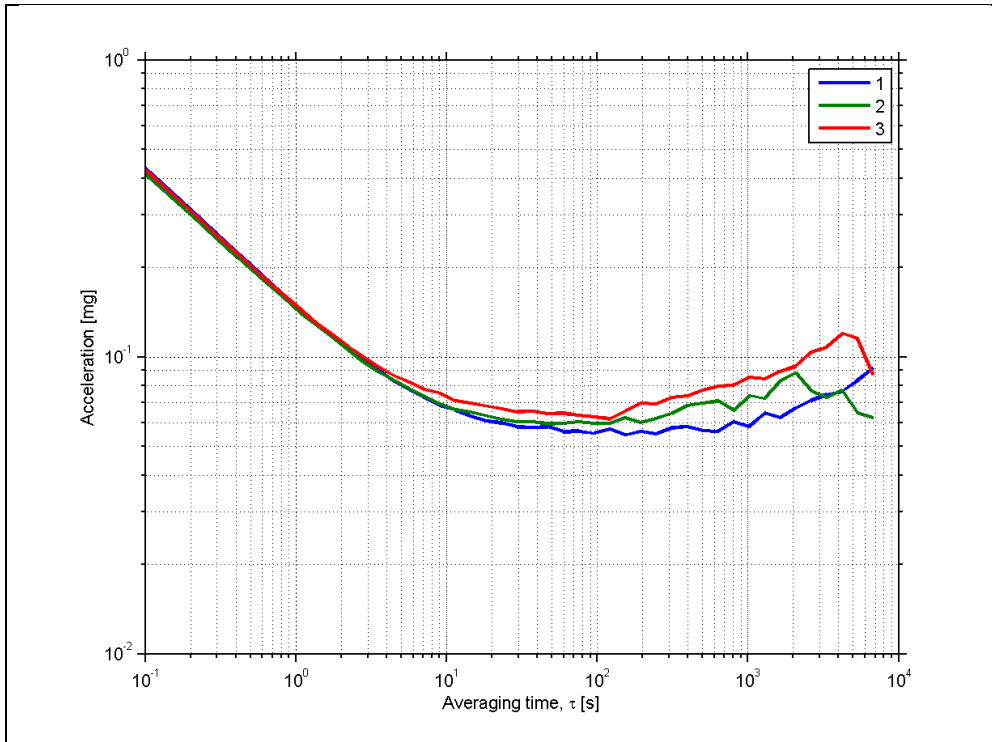


Figure 5-18: Typical Allan-Variance of inclinometer

### 5.2.3.2 Initial bias drift of inclinometer

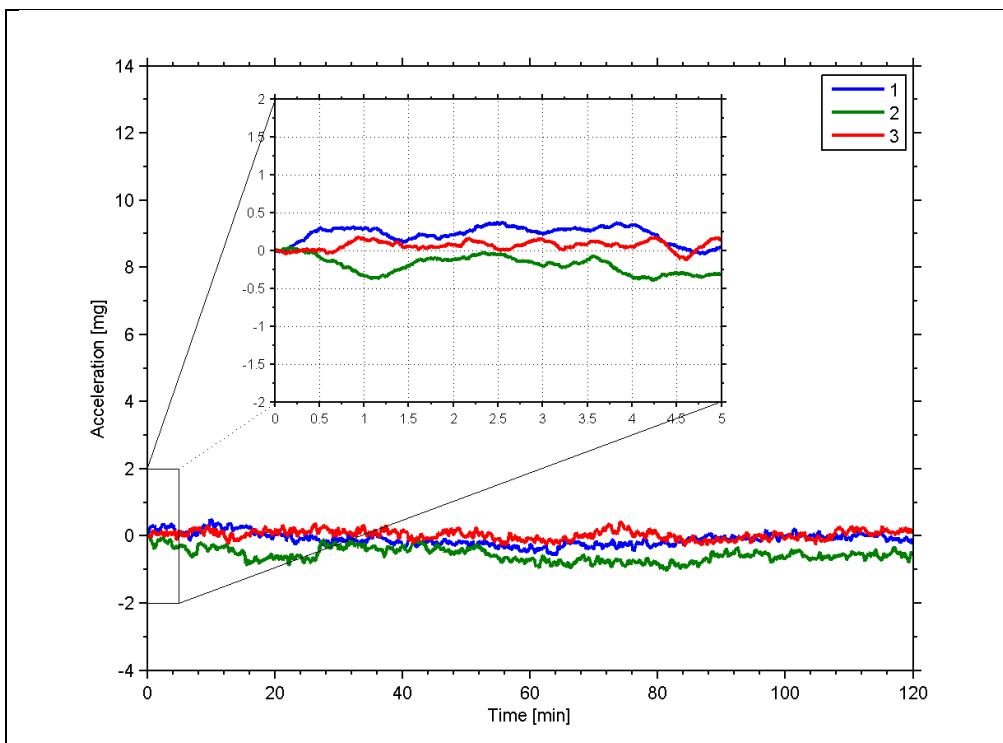


Figure 5-19: Typical normalized initial bias drift of inclinometer

### 5.2.3.3 Frequency characteristics of inclinometers

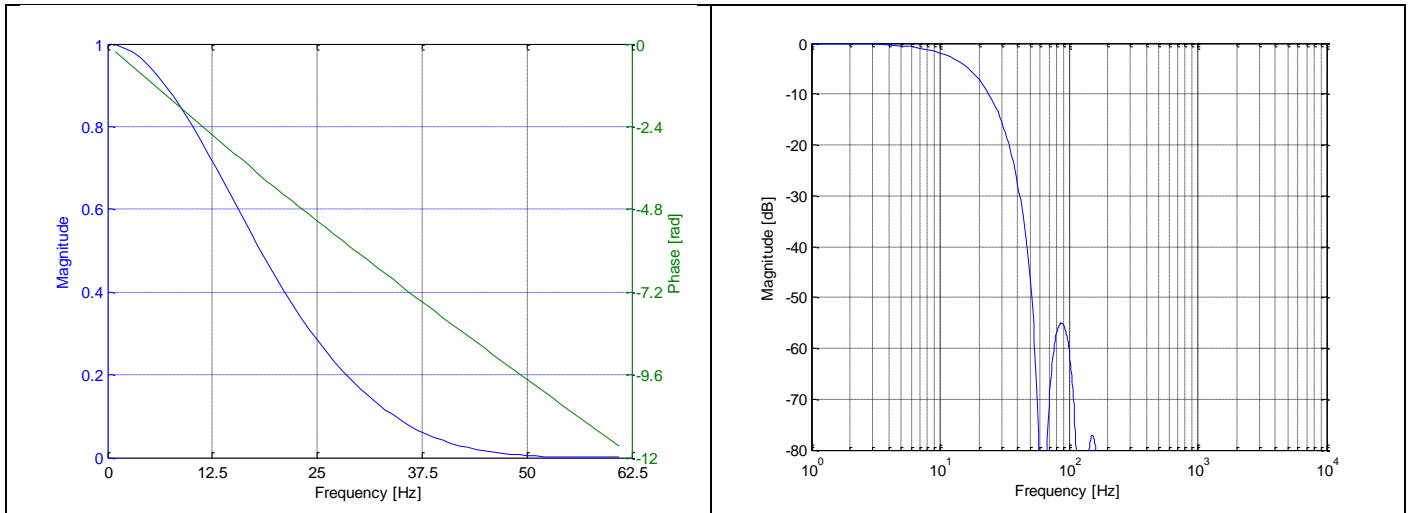


Figure 5-20: Frequency characteristics of inclinometers with low-pass filter -3dB frequency set to 16Hz

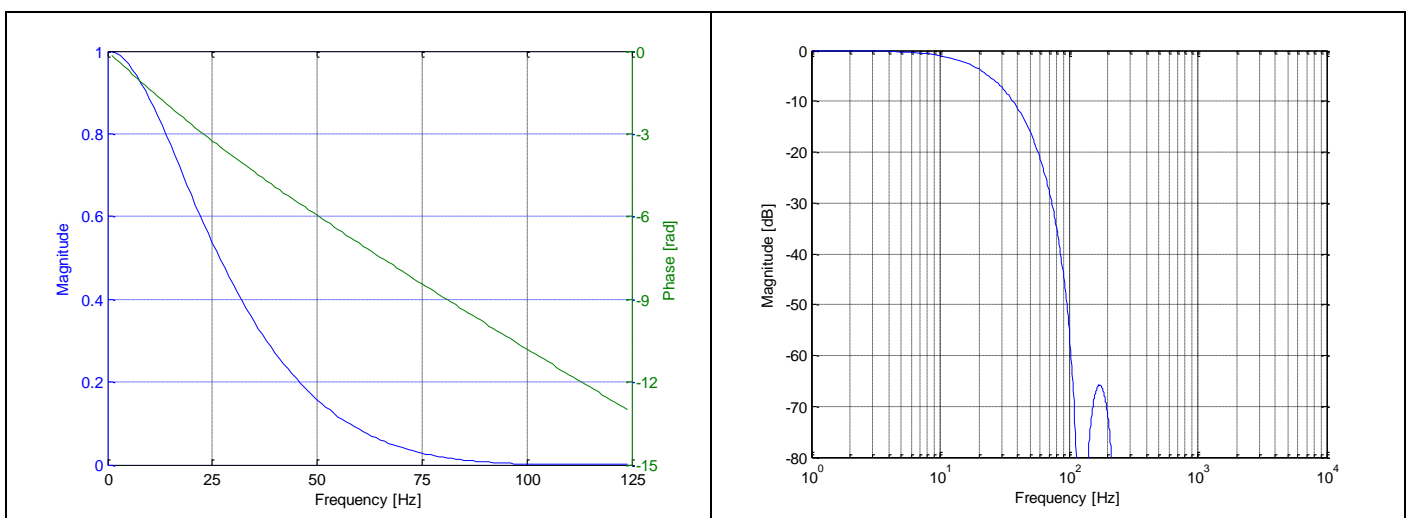


Figure 5-21: Frequency characteristics of inclinometers with low-pass filter -3dB frequency set to 33Hz

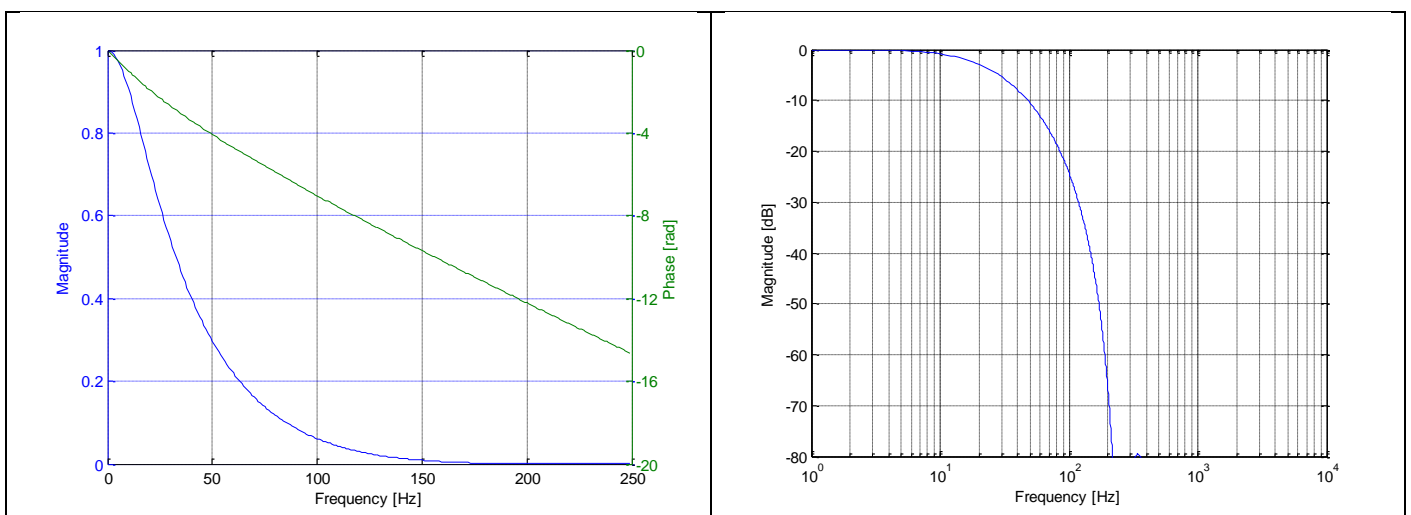
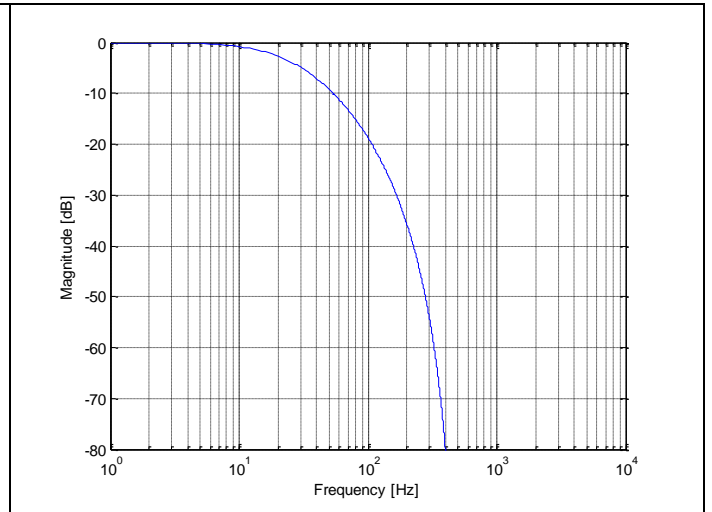
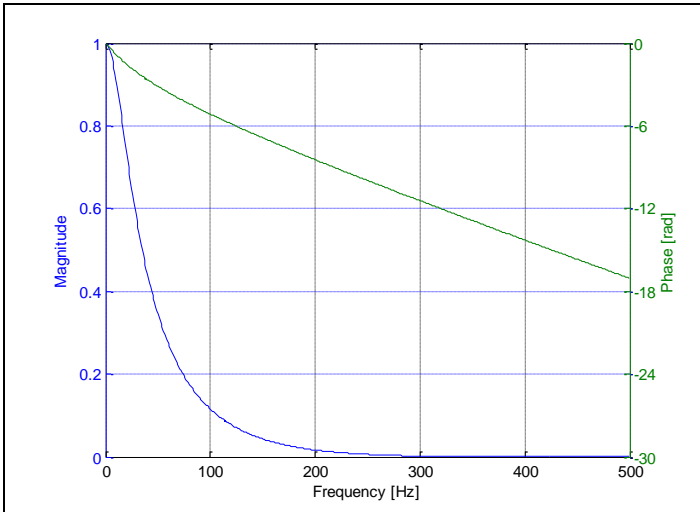
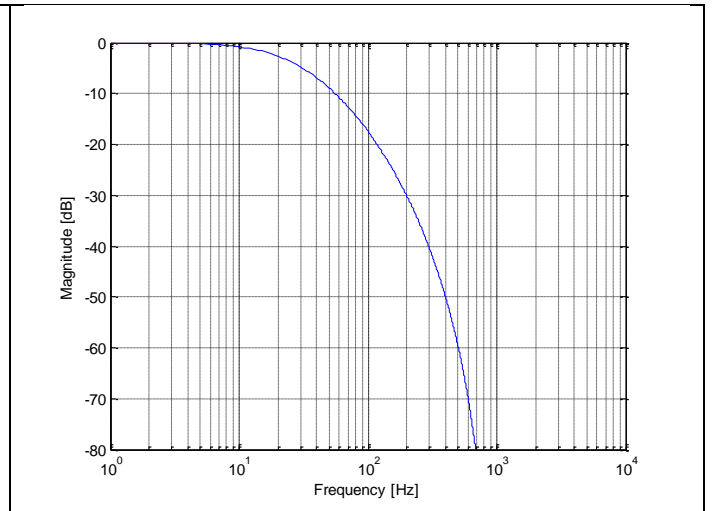
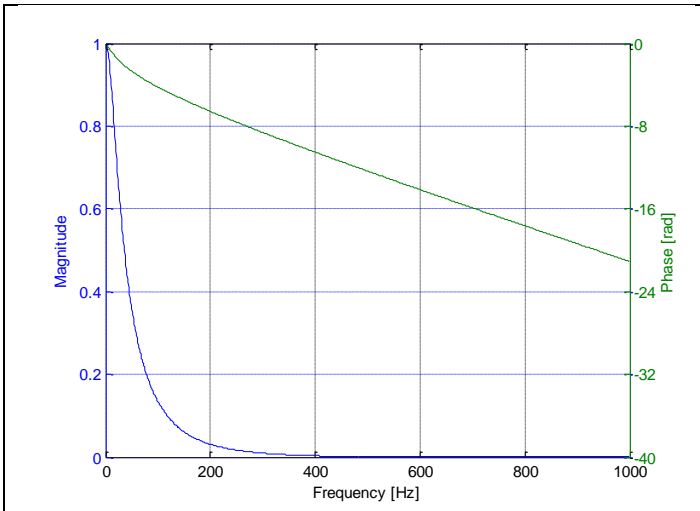


Figure 5-22: Frequency characteristics of inclinometers with low-pass filter -3dB frequency set to 66Hz



**Figure 5-23: Frequency characteristics of inclinometers with low-pass filter -3dB frequency set to 131Hz**



**Figure 5-24: Frequency characteristics of inclinometers with low-pass filter -3dB frequency set to 262Hz**

### 5.3 Configurable parameters

**Table 5-10: Configurable parameters**

Parameter	Configurations	Comments
<b>SAMPLE RATE</b>	125 samples/s 250 samples/s 500 samples/s 1000 samples/s 2000 samples/s External trigger	Some limitations apply to the use of higher sample rates (>500 samples/s), dependent on selected bit-rate and datagram content, ref. Table 5-11
<b>LOW-PASS FILTER -3dB FREQUENCY</b>	16Hz 33Hz 66Hz 131Hz 262Hz	Filter settings are independent of sample rate. Low-pass filters are CIC type filters with linear phase response. Filter settings can be set individually for each axis.
<b>MEASUREMENT UNIT GYRO</b>	Angular rate [°/s] Incremental angle [°/sample] Average angular rate [°/s] Integrated angle [°]	
<b>MEASUREMENT UNIT ACCELEROMETER</b>	Acceleration [g] Incremental velocity [m/s/sample] Average acceleration [g] Integrated velocity [gs]	
<b>MEASUREMENT UNIT INCLINOMETER</b>	Acceleration [g] Incremental velocity [m/s/sample] Average acceleration [g] Integrated velocity [gs]	
<b>DATAGRAM</b>	Rate together with any combination of acceleration, inclination and temperature	
<b>DATAGRAM TERMINATION</b>	NONE <CR><LF>	
<b>RS422 BIT-RATE</b>	374400 bits/s 460800 bits/s 921600 bits/s 1843200 bits/s User-defined	Some limitations apply to the use of lower bit-rates (< 1843200 bits/s) dependent on sample rate and datagram content, ref. Table 5-11.  For user-defined bit-rates, see section 9.5
<b>RS422 PARITY</b>	None Odd Even	
<b>RS422 STOP BITS</b>	1 stop bit 2 stop bits	
<b>RS422 120Ω LINE TERMINATION</b>	OFF ON	

Refer to section 12 for information on how to configure STIM318 when ordering and to section 9 for information on how to reconfigure the unit in Service Mode.

Some datagrams are longer than the time between each sample at the lower bit-rate. Table 5-11 shows the maximum bit-rates.

**Table 5-11: Maximum sample rate**

Datagram content	Number of transmitted bytes <sup>Note 1</sup>	374400 bits/s <sup>Note 2</sup>	460800 bits/s <sup>Note 2</sup>	921600 bits/s <sup>Note 2</sup>	1843200 bits/s <sup>Note 2</sup>
Rate	18	1000	2000	2000	2000
Rate and acceleration	28	1000	1000	2000	2000
Rate and inclination	28	1000	1000	2000	2000
Rate, acceleration and inclination	38	500	1000	2000	2000
Rate and temperature	25	1000	1000	2000	2000
Rate, acceleration and temperature	42	500	500	1000	2000
Rate, inclination and temperature	42	500	500	1000	2000
Rate, acceleration, inclination and temperature	59	500	500	1000	2000

Note 1: excluding <CR><LF> termination

Note 2: 10 bits/byte (=1 start bit, 8 data bits, no parity bit, 1 stop bit)



## 5.4 Datagram specifications

### 5.4.1 Part Number datagram

**Table 5-12: Specification of the Part Number datagram**

Byte#	Bit#								Specification
	7	6	5	4	3	2	1	0	
0	1 1	0 0	1 1	1 1	0 0	0 0	0 1	1 1	<b>Part Number datagram identifier:</b> 0xB1 for datagrams without CR+LF termination 0xB3 for datagrams with CR+LF termination
1	0	0	0	0	P <sub>13</sub>	P <sub>12</sub>	P <sub>11</sub>	P <sub>10</sub>	Low nibble: 1.digit of part number
2	P <sub>23</sub>	P <sub>22</sub>	P <sub>21</sub>	P <sub>20</sub>	P <sub>33</sub>	P <sub>32</sub>	P <sub>31</sub>	P <sub>30</sub>	High nibble: 2.digit of part number Low nibble: 3.digit of part number
3	P <sub>43</sub>	P <sub>42</sub>	P <sub>41</sub>	P <sub>40</sub>	P <sub>53</sub>	P <sub>52</sub>	P <sub>51</sub>	P <sub>50</sub>	High nibble: 4.digit of part number Low nibble: 5.digit of part number
4	0	0	1	0	1	1	0	1	ASCII character "-" (0x2D)
5	P <sub>63</sub>	P <sub>62</sub>	P <sub>61</sub>	P <sub>60</sub>	P <sub>73</sub>	P <sub>72</sub>	P <sub>71</sub>	P <sub>70</sub>	High nibble: 6.digit of part number Low nibble: 7.digit of part number
6	P <sub>83</sub>	P <sub>82</sub>	P <sub>81</sub>	P <sub>80</sub>	P <sub>93</sub>	P <sub>92</sub>	P <sub>91</sub>	P <sub>90</sub>	High nibble: 8.digit of part number Low nibble: 9.digit of part number
7	P <sub>103</sub>	P <sub>102</sub>	P <sub>101</sub>	P <sub>100</sub>	P <sub>113</sub>	P <sub>112</sub>	P <sub>111</sub>	P <sub>110</sub>	High nibble: 10.digit of part number Low nibble: 11.digit of part number
8	0	0	1	0	1	1	0	1	ASCII character "-" (0x2D)
9	P <sub>123</sub>	P <sub>122</sub>	P <sub>121</sub>	P <sub>120</sub>	P <sub>133</sub>	P <sub>132</sub>	P <sub>131</sub>	P <sub>130</sub>	High nibble: 12.digit of part number Low nibble: 13.digit of part number
10	P <sub>143</sub>	P <sub>142</sub>	P <sub>141</sub>	P <sub>140</sub>	x	x	x	x	High nibble: 14.digit of part number
11	x	x	x	x	x	x	x	x	For future use
12	x	x	x	x	x	x	x	x	For future use
13	x	x	x	x	x	x	x	x	For future use
14	x	x	x	x	x	x	x	x	For future use
15	r <sub>7</sub>	r <sub>6</sub>	r <sub>5</sub>	r <sub>4</sub>	r <sub>3</sub>	r <sub>2</sub>	r <sub>1</sub>	r <sub>0</sub>	Part number revision. Content of byte represents the ASCII-character of the revision. Numbering sequence: "-", "A", "B", ..., "Z"
16	C <sub>31</sub>	C <sub>30</sub>	C <sub>29</sub>	C <sub>28</sub>	C <sub>27</sub>	C <sub>26</sub>	C <sub>25</sub>	C <sub>24</sub>	Cyclic Redundancy Check is performed on all preceding bytes, ref. section 5.4.7
17	C <sub>23</sub>	C <sub>22</sub>	C <sub>21</sub>	C <sub>20</sub>	C <sub>19</sub>	C <sub>18</sub>	C <sub>17</sub>	C <sub>16</sub>	
18	C <sub>15</sub>	C <sub>14</sub>	C <sub>13</sub>	C <sub>12</sub>	C <sub>11</sub>	C <sub>10</sub>	C <sub>9</sub>	C <sub>8</sub>	
19	C <sub>7</sub>	C <sub>6</sub>	C <sub>5</sub>	C <sub>4</sub>	C <sub>3</sub>	C <sub>2</sub>	C <sub>1</sub>	C <sub>0</sub>	
(20)	0	0	0	0	1	1	0	1	<CR> If datagram termination has been selected
(21)	0	0	0	0	1	0	1	0	<LF> If datagram termination has been selected

## 5.4.2 Serial Number datagram

**Table 5-13: Specification of the Serial Number datagram**

Byte#	Bit#								Specification
	7	6	5	4	3	2	1	0	
0	1 1	0 0	1 1	1 1	0 0	1 1	0 1	1 1	<b>Serial Number datagram identifier:</b> 0xB5 for datagrams without CR+LF termination 0xB7 for datagrams with CR+LF termination
1	0	1	0	0	1	1	1	0	ASCII-character for letter "N"
2	S <sub>3</sub>	S <sub>2</sub>	S <sub>1</sub>	S <sub>0</sub>	S <sub>3</sub>	S <sub>2</sub>	S <sub>2</sub>	S <sub>2</sub>	High nibble: 1.digit (BCD) of serial number Low nibble: 2.digit (BCD) of serial number
3	S <sub>3</sub>	S <sub>2</sub>	S <sub>3</sub>	S <sub>3</sub>	S <sub>4</sub>	S <sub>4</sub>	S <sub>4</sub>	S <sub>4</sub>	High nibble: 3.digit (BCD) of serial number Low nibble: 4.digit (BCD) of serial number
4	S <sub>5</sub>	S <sub>5</sub>	S <sub>5</sub>	S <sub>5</sub>	S <sub>6</sub>	S <sub>6</sub>	S <sub>6</sub>	S <sub>6</sub>	High nibble: 5.digit (BCD) of serial number Low nibble: 6.digit (BCD) of serial number
5	S <sub>7</sub>	S <sub>7</sub>	S <sub>7</sub>	S <sub>7</sub>	S <sub>8</sub>	S <sub>8</sub>	S <sub>8</sub>	S <sub>8</sub>	High nibble: 7.digit (BCD) of serial number Low nibble: 8.digit (BCD) of serial number
6	S <sub>9</sub>	S <sub>9</sub>	S <sub>9</sub>	S <sub>9</sub>	S <sub>10</sub>	S <sub>10</sub>	S <sub>10</sub>	S <sub>10</sub>	High nibble: 9.digit (BCD) of serial number Low nibble: 10.digit (BCD) of serial number
7	S <sub>11</sub>	S <sub>11</sub>	S <sub>11</sub>	S <sub>11</sub>	S <sub>11</sub>	S <sub>11</sub>	S <sub>11</sub>	S <sub>11</sub>	High nibble: 11.digit (BCD) of serial number Low nibble: 12.digit (BCD) of serial number
8	S <sub>13</sub>	S <sub>13</sub>	S <sub>13</sub>	S <sub>13</sub>	S <sub>14</sub>	S <sub>14</sub>	S <sub>14</sub>	S <sub>14</sub>	High nibble: 13.digit (BCD) of serial number Low nibble: 14.digit (BCD) of serial number
9	x	x	x	x	x	x	x	x	For future use
10	x	x	x	x	x	x	x	x	For future use
11	x	x	x	x	x	x	x	x	For future use
12	x	x	x	x	x	x	x	x	For future use
13	x	x	x	x	x	x	x	x	For future use
14	x	x	x	x	x	x	x	x	For future use
15	x	x	x	x	x	x	x	x	For future use
16	C <sub>31</sub>	C <sub>30</sub>	C <sub>29</sub>	C <sub>28</sub>	C <sub>27</sub>	C <sub>26</sub>	C <sub>25</sub>	C <sub>24</sub>	Cyclic Redundancy Check is performed on all preceding bytes, ref. section 5.4.7
17	C <sub>23</sub>	C <sub>22</sub>	C <sub>21</sub>	C <sub>20</sub>	C <sub>19</sub>	C <sub>18</sub>	C <sub>17</sub>	C <sub>16</sub>	
18	C <sub>15</sub>	C <sub>14</sub>	C <sub>13</sub>	C <sub>12</sub>	C <sub>11</sub>	C <sub>10</sub>	C <sub>9</sub>	C <sub>8</sub>	
19	C <sub>7</sub>	C <sub>6</sub>	C <sub>5</sub>	C <sub>4</sub>	C <sub>3</sub>	C <sub>2</sub>	C <sub>1</sub>	C <sub>0</sub>	
(20)	0	0	0	0	1	1	0	1	<CR> If datagram termination has been selected
(21)	0	0	0	0	1	0	1	0	<LF> If datagram termination has been selected

### 5.4.3 Configuration datagram

**Table 5-14: Specification of the Configuration datagram**

Byte#	Bit#								Specification
	7	6	5	4	3	2	1	0	
0	1 1	0 0	1 1	1 1	1 1	1 1	0 0	0 1	<b>Configuration datagram identifier:</b> 0xBC for datagrams without CR+LF termination 0xBD for datagrams with CR+LF termination
1	r <sub>7</sub>	r <sub>6</sub>	r <sub>5</sub>	r <sub>4</sub>	r <sub>3</sub>	r <sub>2</sub>	r <sub>1</sub>	r <sub>0</sub>	Part number revision. Content of byte represents the ASCII-character of the revision. Numbering sequence: "-", "A", "B", ..., "Z"
2	f <sub>7</sub>	f <sub>6</sub>	f <sub>5</sub>	f <sub>4</sub>	f <sub>3</sub>	f <sub>2</sub>	f <sub>1</sub>	f <sub>0</sub>	Firmware revision. Numbering sequence: 0, 1, ..., 255
3	0	0	0	x	x	x	x	x	<b>System configuration, Byte 1:</b> Sample frequency = 125 samples/s
	0	0	1	x	x	x	x	x	Sample frequency = 250 samples/s
	0	1	0	x	x	x	x	x	Sample frequency = 500 samples/s
	0	1	1	x	x	x	x	x	Sample frequency = 1000 samples/s
	1	0	0	x	x	x	x	x	Sample frequency = 2000 samples/s
	1	0	1	x	x	x	x	x	Sample frequency = External trigger
	x	x	x	x	0	x	x	x	Temperature not included in Normal Mode datagram
	x	x	x	x	1	x	x	x	Temperature included in Normal Mode datagram
	x	x	x	x	x	0	x	x	Inclination not included in Normal Mode datagram
	x	x	x	x	x	1	x	x	Inclination included in Normal Mode datagram
	x	x	x	x	x	x	0	x	Acceleration not included in Normal Mode datagram
	x	x	x	x	x	x	1	x	Acceleration included in Normal Mode datagram
	x	x	x	x	x	x	x	0	No <CR><LF> termination of Normal Mode datagram
	x	x	x	x	x	x	x	1	<CR><LF> termination of Normal Mode datagram
4	0	0	0	0	x	x	x	x	<b>System configuration, Byte 2:</b> Bit-rate = 374400 bits/s
	0	0	0	1	x	x	x	x	Bit-rate = 460800 bits/s
	0	0	1	0	x	x	x	x	Bit-rate = 921600 bits/s
	0	0	1	1	x	x	x	x	Bit-rate = 1843200 bits/s
	1	1	1	1	x	x	x	x	Bit-rate = User-defined, ref. section 9.5
	x	x	x	x	0	x	x	x	Stop bit = 1
	x	x	x	x	1	x	x	x	Stop bits = 2
	x	x	x	x	x	0	0	x	Parity = none
	x	x	x	x	x	0	1	x	Parity = even
	x	x	x	x	x	1	0	x	Parity = odd
	x	x	x	x	x	x	x	0	Line termination = OFF
x	x	x	x	x	x	x	1	Line termination = ON	
5	x	0	x	x	x	x	x	x	<b>System configuration, Byte 3:</b> Gyro X-axis is inactive
	x	1	x	x	x	x	x	x	Gyro X-axis is active
	x	x	0	x	x	x	x	x	Gyro Y-axis is inactive
	x	x	1	x	x	x	x	x	Gyro Y-axis is active
	x	x	x	0	x	x	x	x	Gyro Z-axis is inactive
	x	x	x	1	x	x	x	x	Gyro Z-axis is active
	x	x	x	x	0	0	0	0	Gyro output unit = ANGULAR RATE
	x	x	x	x	0	0	0	1	Gyro output unit = INCREMENTAL ANGLE
	x	x	x	x	0	0	1	0	Gyro output unit = AVERAGE ANGULAR RATE
	x	x	x	x	0	0	1	1	Gyro output unit = INTEGRATED ANGLE
	x	x	x	x	1	0	0	0	Gyro output unit = ANGULAR RATE – DELAYED
	x	x	x	x	1	0	0	1	Gyro output unit = INCREMENTAL ANGLE – DELAYED
	x	x	x	x	1	0	1	0	Gyro output unit = AVERAGE ANGULAR RATE – DELAYED
	x	x	x	x	1	0	1	1	Gyro output unit = INTEGRATED ANGLE – DELAYED
6	x	0	0	0	x	x	x	x	<b>System configuration, Byte 4:</b> Gyro LP filter -3dB frequency for X-axis = 16Hz
	x	0	0	1	x	x	x	x	Gyro LP filter -3dB frequency for X-axis = 33Hz
	x	0	1	0	x	x	x	x	Gyro LP filter -3dB frequency for X-axis = 66Hz
	x	0	1	1	x	x	x	x	Gyro LP filter -3dB frequency for X-axis = 131Hz
	x	1	0	0	x	x	x	x	Gyro LP filter -3dB frequency for X-axis = 262Hz
	x	x	x	x	x	0	0	0	Gyro LP filter -3dB frequency for Y-axis = 16Hz
	x	x	x	x	x	0	0	1	Gyro LP filter -3dB frequency for Y-axis = 33Hz
	x	x	x	x	x	0	1	0	Gyro LP filter -3dB frequency for Y-axis = 66Hz
	x	x	x	x	x	0	1	1	Gyro LP filter -3dB frequency for Y-axis = 131Hz
	x	x	x	x	x	1	0	0	Gyro LP filter -3dB frequency for Y-axis = 262Hz

7	x	0	0	0	x	x	x	x	<b>System configuration, Byte 5:</b>
	x	0	0	1	x	x	x	x	Gyro LP filter -3dB frequency for Z-axis = 16Hz
	x	0	1	0	x	x	x	x	Gyro LP filter -3dB frequency for Z-axis = 33Hz
	x	0	1	1	x	x	x	x	Gyro LP filter -3dB frequency for Z-axis = 66Hz
	x	1	0	0	x	x	x	x	Gyro LP filter -3dB frequency for Z-axis = 131Hz
	x	x	x	x	0	0	0	0	Gyro LP filter -3dB frequency for Z-axis = 262Hz
	x	x	x	x	0	0	0	1	Gyro g-comp: OFF
	x	x	x	x	0	0	1	0	Gyro g-comp: bias = OFF , scale = ACC
	x	x	x	x	0	0	1	1	Gyro g-comp: bias = OFF , scale = ACC+0.01Hz-filter
	x	x	x	x	0	1	0	0	Gyro g-comp: bias = ACC , scale = OFF
	x	x	x	x	0	1	0	1	Gyro g-comp: bias = ACC+0.01Hz-filter , scale = OFF
	x	x	x	x	0	1	0	1	Gyro g-comp: bias = INC , scale = OFF,
	x	x	x	x	0	1	1	0	Gyro g-comp: bias = INC+0.01Hz-filter, scale = OFF
	x	x	x	x	0	1	1	1	Gyro g-comp: bias = ACC, scale = ACC
	x	x	x	x	1	0	0	0	Gyro g-comp: bias = ACC+0.01Hz-filter , scale = ACC
	x	x	x	x	1	0	0	1	Gyro g-comp: bias = INC, scale = ACC
x	x	x	x	1	0	1	0	Gyro g-comp: bias = INC+DC-filter, scale = ACC	
x	x	x	x	1	0	1	1	Gyro g-comp: bias = ACC+0.01Hz-filter, scale = ACC+0.01Hz-filter	
x	x	x	x	1	1	0	0	Gyro g-comp: bias = INC+0.01Hz-filter, scale = INC+0.01Hz-filter	
x	x	x	x	1	1	1	1	Gyro g-comp: user-defined	
8	x	0	x	x	x	x	x	<b>System configuration, Byte 6:</b>	
	x	1	x	x	x	x	x	Accelerometer X-axis is inactive	
	x	x	0	x	x	x	x	Accelerometer X-axis is active	
	x	x	1	x	x	x	x	Accelerometer Y-axis is inactive	
	x	x	x	0	x	x	x	Accelerometer Y-axis is active	
	x	x	x	0	x	x	x	Accelerometer Z-axis is inactive	
	x	x	x	1	x	x	x	Accelerometer Z-axis is active	
	x	x	x	x	0	0	0	0	Accelerometer output unit = ACCELERATION
	x	x	x	x	0	0	0	1	Accelerometer output unit = INCREMENTAL VELOCITY
	x	x	x	x	0	0	1	0	Accelerometer output unit = AVERAGE ACCELERATION
x	x	x	x	0	0	1	1	Accelerometer output unit = INTEGRATED VELOCITY	
9	x	0	0	0	x	x	x	<b>System configuration, Byte 7:</b>	
	x	0	0	1	x	x	x	Accelerometer LP filter -3dB frequency for X-axis = 16Hz	
	x	0	1	0	x	x	x	Accelerometer LP filter -3dB frequency for X-axis = 33Hz	
	x	0	1	1	x	x	x	Accelerometer LP filter -3dB frequency for X-axis = 66Hz	
	x	1	0	0	x	x	x	Accelerometer LP filter -3dB frequency for X-axis = 131Hz	
	x	x	x	x	x	0	0	0	Accelerometer LP filter -3dB frequency for X-axis = 262Hz
	x	x	x	x	x	0	0	1	Accelerometer LP filter -3dB frequency for Y-axis = 16Hz
	x	x	x	x	x	0	1	0	Accelerometer LP filter -3dB frequency for Y-axis = 33Hz
	x	x	x	x	x	0	1	1	Accelerometer LP filter -3dB frequency for Y-axis = 66Hz
	x	x	x	x	x	1	0	0	Accelerometer LP filter -3dB frequency for Y-axis = 131Hz
x	x	x	x	x	1	0	0	Accelerometer LP filter -3dB frequency for Y-axis = 262Hz	
10	x	0	0	0	x	x	x	<b>System configuration, Byte 8:</b>	
	x	0	0	1	x	x	x	Accelerometer LP filter -3dB frequency for Z-axis = 16Hz	
	x	0	1	0	x	x	x	Accelerometer LP filter -3dB frequency for Z-axis = 33Hz	
	x	0	1	1	x	x	x	Accelerometer LP filter -3dB frequency for Z-axis = 66Hz	
	x	1	0	0	x	x	x	Accelerometer LP filter -3dB frequency for Z-axis = 131Hz	
11	x	0	x	x	x	x	x	<b>System configuration, Byte 9:</b>	
	x	1	x	x	x	x	x	Inclinometer X-axis is inactive	
	x	x	0	x	x	x	x	Inclinometer X-axis is active	
	x	x	1	x	x	x	x	Inclinometer Y-axis is inactive	
	x	x	x	0	x	x	x	Inclinometer Y-axis is active	
	x	x	x	1	x	x	x	Inclinometer Z-axis is inactive	
	x	x	x	x	0	0	0	0	Inclinometer Z-axis is active
	x	x	x	x	0	0	0	1	Inclinometer output unit = ACCELERATION
	x	x	x	x	0	0	1	0	Inclinometer output unit = INCREMENTAL VELOCITY
	x	x	x	x	0	0	1	1	Inclinometer output unit = AVERAGE ACCELERATION
x	x	x	x	0	0	1	1	Inclinometer output unit = INTEGRATED VELOCITY	
12	x	0	0	0	x	x	x	<b>System configuration, Byte 10:</b>	
	x	0	0	1	x	x	x	Inclinometer LP filter -3dB frequency for X-axis = 16Hz	
	x	0	1	0	x	x	x	Inclinometer LP filter -3dB frequency for X-axis = 33Hz	
	x	0	1	1	x	x	x	Inclinometer LP filter -3dB frequency for X-axis = 66Hz	
	x	1	0	0	x	x	x	Inclinometer LP filter -3dB frequency for X-axis = 131Hz	
	x	x	x	x	x	0	0	0	Inclinometer LP filter -3dB frequency for X-axis = 262Hz
	x	x	x	x	x	0	0	1	Inclinometer LP filter -3dB frequency for Y-axis = 16Hz
	x	x	x	x	x	0	1	0	Inclinometer LP filter -3dB frequency for Y-axis = 33Hz
	x	x	x	x	x	0	1	1	Inclinometer LP filter -3dB frequency for Y-axis = 66Hz
	x	x	x	x	x	0	1	1	Inclinometer LP filter -3dB frequency for Y-axis = 131Hz
x	x	x	x	x	1	0	0	Inclinometer LP filter -3dB frequency for Y-axis = 262Hz	
13	x	0	0	0	x	x	x	<b>System configuration, Byte 11:</b>	
	x	0	0	1	x	x	x	Inclinometer LP filter -3dB frequency for Z-axis = 16Hz	
	x	0	1	0	x	x	x	Inclinometer LP filter -3dB frequency for Z-axis = 33Hz	
	x	0	1	1	x	x	x	Inclinometer LP filter -3dB frequency for Z-axis = 66Hz	
	x	1	0	0	x	x	x	Inclinometer LP filter -3dB frequency for Z-axis = 131Hz	
x	1	0	0	x	x	x	Inclinometer LP filter -3dB frequency for Z-axis = 262Hz		

14	x	x	x	x	x	x	x	x	<b>System configuration, Byte 12:</b> For future use
15	0	0	0	0	x	x	x	x	High nibble: Gyro range, x-axis - 400°/s
	x	x	x	x	0	0	0	0	Low nibble: Gyro range, y-axis - 400°/s
16	0	0	0	0	x	x	x	x	High nibble: Gyro range, z-axis - 400°/s
17	0	0	0	0	x	x	x	x	High nibble: Accelerometer range, x-axis - 10g
	0	0	1	1	x	x	x	x	- 5g
	0	1	0	0	x	x	x	x	- 30g
	0	1	1	0	x	x	x	x	- 80g
	x	x	x	x	0	0	0	0	Low nibble: Accelerometer range, y-axis - 10g
	x	x	x	x	0	0	1	1	- 5g
18	0	0	0	0	x	x	x	x	High nibble: Accelerometer range, z-axis - 10g
	0	0	1	1	x	x	x	x	- 5g
	0	1	0	0	x	x	x	x	- 30g
	0	1	1	0	x	x	x	x	- 80g
19	0	0	0	0	x	x	x	x	High nibble: Inclinator range, x-axis - 1.7g
	x	x	x	x	0	0	0	0	Low nibble: Inclinator range, y-axis - 1.7g
20	0	0	0	0	x	x	x	x	High nibble: Inclinator range, z-axis - 1.7g
21	x	x	x	x	x	x	x	x	For future use
22	C <sub>31</sub>	C <sub>30</sub>	C <sub>29</sub>	C <sub>28</sub>	C <sub>27</sub>	C <sub>26</sub>	C <sub>25</sub>	C <sub>24</sub>	Cyclic Redundancy Check is performed on all preceding bytes, ref. section 5.4.7
23	C <sub>23</sub>	C <sub>22</sub>	C <sub>21</sub>	C <sub>20</sub>	C <sub>19</sub>	C <sub>18</sub>	C <sub>17</sub>	C <sub>16</sub>	
24	C <sub>15</sub>	C <sub>14</sub>	C <sub>13</sub>	C <sub>12</sub>	C <sub>11</sub>	C <sub>10</sub>	C <sub>9</sub>	C <sub>8</sub>	
25	C <sub>7</sub>	C <sub>6</sub>	C <sub>5</sub>	C <sub>4</sub>	C <sub>3</sub>	C <sub>2</sub>	C <sub>1</sub>	C <sub>0</sub>	
(26)	0	0	0	0	1	1	0	1	<CR> If datagram termination has been selected
(27)	0	0	0	0	1	0	1	0	<LF> If datagram termination has been selected

### 5.4.4 Bias Trim Offset datagram

**Table 5-15: Specification of the Bias Trim Offset datagram**

Byte#	Bit#								Specification
	7	6	5	4	3	2	1	0	
0	1 1	1 1	0 0	1 1	0 0	0 0	0 1	1 0	<b>Bias Trim Offset datagram identifier:</b> 0xD1 for datagrams without CR+LF termination 0xD2 for datagrams with CR+LF termination
1	Gx <sub>23</sub>	Gx <sub>22</sub>	Gx <sub>21</sub>	Gx <sub>20</sub>	Gx <sub>19</sub>	Gx <sub>18</sub>	Gx <sub>17</sub>	Gx <sub>16</sub>	X-axis gyro bias trim offset, ref. section 7.4.2.2.2 for conversion to [°/s]. NB: unit is [°/s] regardless of chosen output unit in Normal Mode datagram
2	Gx <sub>15</sub>	Gx <sub>14</sub>	Gx <sub>13</sub>	Gx <sub>12</sub>	G <sub>11</sub>	Gx <sub>10</sub>	Gx <sub>9</sub>	Gx <sub>8</sub>	
3	Gx <sub>7</sub>	Gx <sub>6</sub>	Gx <sub>5</sub>	Gx <sub>4</sub>	Gx <sub>3</sub>	Gx <sub>2</sub>	Gx <sub>1</sub>	Gx <sub>0</sub>	Y-axis gyro bias trim offset, ref. section 7.4.2.2.2 for conversion to [°/s]. NB: unit is [°/s] regardless of chosen output unit in Normal Mode datagram
4	Gy <sub>23</sub>	Gy <sub>22</sub>	Gy <sub>21</sub>	Gy <sub>20</sub>	Gy <sub>19</sub>	Gy <sub>18</sub>	Gy <sub>17</sub>	Gy <sub>16</sub>	
5	Gy <sub>15</sub>	Gy <sub>14</sub>	Gy <sub>13</sub>	Gy <sub>12</sub>	Gy <sub>11</sub>	Gy <sub>10</sub>	Gy <sub>9</sub>	Gy <sub>8</sub>	Z-axis gyro bias trim offset, ref. section 7.4.2.2.2 for conversion to [°/s]. NB: unit is [°/s] regardless of chosen output unit in Normal Mode datagram
6	Gy <sub>7</sub>	Gy <sub>6</sub>	Gy <sub>5</sub>	Gy <sub>4</sub>	Gy <sub>3</sub>	Gy <sub>2</sub>	Gy <sub>1</sub>	Gy <sub>0</sub>	
7	Gz <sub>23</sub>	Gz <sub>22</sub>	Gz <sub>21</sub>	Gz <sub>20</sub>	Gz <sub>19</sub>	Gz <sub>18</sub>	Gz <sub>17</sub>	Gz <sub>16</sub>	Z-axis gyro bias trim offset, ref. section 7.4.2.2.2 for conversion to [°/s]. NB: unit is [°/s] regardless of chosen output unit in Normal Mode datagram
8	Gz <sub>15</sub>	Gz <sub>14</sub>	Gz <sub>13</sub>	Gz <sub>12</sub>	Gz <sub>11</sub>	Gz <sub>10</sub>	Gz <sub>9</sub>	Gz <sub>8</sub>	
9	Gz <sub>7</sub>	Gz <sub>6</sub>	Gz <sub>5</sub>	Gz <sub>4</sub>	Gz <sub>3</sub>	Gz <sub>2</sub>	Gz <sub>1</sub>	Gz <sub>0</sub>	X-axis accelerometer bias trim offset, ref. section 7.4.2.2.7 for conversion to [g]. NB: unit is [g] regardless of chosen output unit in Normal Mode datagram
10	Ax <sub>23</sub>	Ax <sub>22</sub>	Ax <sub>21</sub>	Ax <sub>20</sub>	Ax <sub>19</sub>	Ax <sub>18</sub>	Ax <sub>17</sub>	Ax <sub>16</sub>	
11	Ax <sub>15</sub>	Ax <sub>14</sub>	Ax <sub>13</sub>	Ax <sub>12</sub>	Ax <sub>11</sub>	Ax <sub>10</sub>	Ax <sub>9</sub>	Ax <sub>8</sub>	Y-axis accelerometer bias trim offset, ref. section 7.4.2.2.7 for conversion to [g]. NB: unit is [g] regardless of chosen output unit in Normal Mode datagram
12	Ax <sub>7</sub>	Ax <sub>6</sub>	Ax <sub>5</sub>	Ax <sub>4</sub>	Ax <sub>3</sub>	Ax <sub>2</sub>	Ax <sub>1</sub>	Ax <sub>0</sub>	
13	Ay <sub>23</sub>	Ay <sub>22</sub>	Ay <sub>21</sub>	Ay <sub>20</sub>	Ay <sub>19</sub>	Ay <sub>18</sub>	Ay <sub>17</sub>	Ay <sub>16</sub>	Z-axis accelerometer bias trim offset, ref. section 7.4.2.2.7 for conversion to [g]. NB: unit is [g] regardless of chosen output unit in Normal Mode datagram
14	Ay <sub>15</sub>	Ay <sub>14</sub>	Ay <sub>13</sub>	Ay <sub>12</sub>	Ay <sub>11</sub>	Ay <sub>10</sub>	Ay <sub>9</sub>	Ay <sub>8</sub>	
15	Ay <sub>7</sub>	Ay <sub>6</sub>	Ay <sub>5</sub>	Ay <sub>4</sub>	Ay <sub>3</sub>	Ay <sub>2</sub>	Ay <sub>1</sub>	Ay <sub>0</sub>	X-axis Inclinometer bias trim offset, ref. section 7.4.2.2.11 for conversion to [g]. NB: unit is [g] regardless of chosen output unit in Normal Mode datagram
16	Az <sub>23</sub>	Az <sub>22</sub>	Az <sub>21</sub>	Az <sub>20</sub>	Az <sub>19</sub>	Az <sub>18</sub>	Az <sub>17</sub>	Az <sub>16</sub>	
17	Az <sub>15</sub>	Az <sub>14</sub>	Az <sub>13</sub>	Az <sub>12</sub>	Az <sub>11</sub>	Az <sub>10</sub>	Az <sub>9</sub>	Az <sub>8</sub>	Y-axis Inclinometer bias trim offset, ref. section 7.4.2.2.11 for conversion to [g]. NB: unit is [g] regardless of chosen output unit in Normal Mode datagram
18	Az <sub>7</sub>	Az <sub>6</sub>	Az <sub>5</sub>	Az <sub>4</sub>	Az <sub>3</sub>	Az <sub>2</sub>	Az <sub>1</sub>	Az <sub>0</sub>	
19	Ix <sub>23</sub>	Ix <sub>22</sub>	Ix <sub>21</sub>	Ix <sub>20</sub>	Ix <sub>19</sub>	Ix <sub>18</sub>	Ix <sub>17</sub>	Ix <sub>16</sub>	Z-axis Inclinometer bias trim offset, ref. section 7.4.2.2.11 for conversion to [g]. NB: unit is [g] regardless of chosen output unit in Normal Mode datagram
20	Ix <sub>15</sub>	Ix <sub>14</sub>	Ix <sub>13</sub>	Ix <sub>12</sub>	Ix <sub>11</sub>	Ix <sub>10</sub>	Ix <sub>9</sub>	Ix <sub>8</sub>	
21	Ix <sub>7</sub>	Ix <sub>6</sub>	Ix <sub>5</sub>	Ix <sub>4</sub>	Ix <sub>3</sub>	Ix <sub>2</sub>	Ix <sub>1</sub>	Ix <sub>0</sub>	Reference info to last adjustment
22	Iy <sub>23</sub>	Iy <sub>22</sub>	Iy <sub>21</sub>	Iy <sub>20</sub>	Iy <sub>19</sub>	Iy <sub>18</sub>	Iy <sub>17</sub>	Iy <sub>16</sub>	
23	Iy <sub>15</sub>	Iy <sub>14</sub>	Iy <sub>13</sub>	Iy <sub>12</sub>	Iy <sub>11</sub>	Iy <sub>10</sub>	Iy <sub>9</sub>	Iy <sub>8</sub>	Remaining number of saves
24	Iy <sub>7</sub>	Iy <sub>6</sub>	Iy <sub>5</sub>	Iy <sub>4</sub>	Iy <sub>3</sub>	Iy <sub>2</sub>	Iy <sub>1</sub>	Iy <sub>0</sub>	
25	Iz <sub>23</sub>	Iz <sub>22</sub>	Iz <sub>21</sub>	Iz <sub>20</sub>	Iz <sub>19</sub>	Iz <sub>18</sub>	Iz <sub>17</sub>	Iz <sub>16</sub>	For future use
26	Iz <sub>15</sub>	Iz <sub>14</sub>	Iz <sub>13</sub>	Iz <sub>12</sub>	Iz <sub>11</sub>	Iz <sub>10</sub>	Iz <sub>9</sub>	Iz <sub>8</sub>	
27	Iz <sub>7</sub>	Iz <sub>6</sub>	Iz <sub>5</sub>	Iz <sub>4</sub>	Iz <sub>3</sub>	Iz <sub>2</sub>	Iz <sub>1</sub>	Iz <sub>0</sub>	For future use
28	Rf <sub>31</sub>	Rf <sub>30</sub>	Rf <sub>29</sub>	Rf <sub>28</sub>	Rf <sub>27</sub>	Rf <sub>26</sub>	Rf <sub>25</sub>	Rf <sub>24</sub>	
29	Rf <sub>23</sub>	Rf <sub>22</sub>	Rf <sub>21</sub>	Rf <sub>20</sub>	Rf <sub>19</sub>	Rf <sub>18</sub>	Rf <sub>17</sub>	Rf <sub>16</sub>	Cyclic Redundancy Check is performed on all preceding bytes, ref. section 5.4.7
30	Rf <sub>15</sub>	Rf <sub>14</sub>	Rf <sub>13</sub>	Rf <sub>12</sub>	Rf <sub>11</sub>	Rf <sub>10</sub>	Rf <sub>9</sub>	Rf <sub>8</sub>	
31	Rf <sub>7</sub>	Rf <sub>6</sub>	Rf <sub>5</sub>	Rf <sub>4</sub>	Rf <sub>3</sub>	Rf <sub>2</sub>	Rf <sub>1</sub>	Rf <sub>0</sub>	<CR> If datagram termination has been selected
32	Sav <sub>15</sub>	Sav <sub>14</sub>	Sav <sub>13</sub>	Sav <sub>12</sub>	Sav <sub>11</sub>	Sav <sub>10</sub>	Sav <sub>9</sub>	Sav <sub>8</sub>	
33	Sav <sub>7</sub>	Sav <sub>6</sub>	Sav <sub>5</sub>	Sav <sub>4</sub>	Sav <sub>3</sub>	Sav <sub>2</sub>	Sav <sub>1</sub>	Sav <sub>0</sub>	<LF> If datagram termination has been selected
34	x	x	x	x	x	x	x	x	
35	x	x	x	x	x	x	x	x	
36	C <sub>31</sub>	C <sub>30</sub>	C <sub>29</sub>	C <sub>28</sub>	C <sub>27</sub>	C <sub>26</sub>	C <sub>25</sub>	C <sub>24</sub>	
37	C <sub>23</sub>	C <sub>22</sub>	C <sub>21</sub>	C <sub>20</sub>	C <sub>19</sub>	C <sub>18</sub>	C <sub>17</sub>	C <sub>16</sub>	
38	C <sub>15</sub>	C <sub>14</sub>	C <sub>13</sub>	C <sub>12</sub>	C <sub>11</sub>	C <sub>10</sub>	C <sub>9</sub>	C <sub>8</sub>	
39	C <sub>7</sub>	C <sub>6</sub>	C <sub>5</sub>	C <sub>4</sub>	C <sub>3</sub>	C <sub>2</sub>	C <sub>1</sub>	C <sub>0</sub>	
(40)	0	0	0	0	1	1	0	1	
(41)	0	0	0	0	1	0	1	0	

## 5.4.5 Extended Error Information datagram

**Table 5-16: Specification of the Extended Error Information datagram**

Byte#	Bit#								Specification
	7	6	5	4	3	2	1	0	
0	1 1	0 0	1 1	1 1	1 1	1 1	1 1	0 1	Extended Error Information datagram identifier: 0xBE for datagrams without CR+LF termination 0xBF for datagrams with CR+LF termination
1	E <sub>127</sub>	E <sub>126</sub>	E <sub>125</sub>	E <sub>124</sub>	E <sub>123</sub>	E <sub>122</sub>	E <sub>121</sub>	E <sub>120</sub>	Ref. Table 5-17
2	E <sub>119</sub>	E <sub>118</sub>	E <sub>117</sub>	E <sub>116</sub>	E <sub>115</sub>	E <sub>114</sub>	E <sub>113</sub>	E <sub>112</sub>	Ref. Table 5-17
3	E <sub>111</sub>	E <sub>110</sub>	E <sub>109</sub>	E <sub>108</sub>	E <sub>107</sub>	E <sub>106</sub>	E <sub>105</sub>	E <sub>104</sub>	Ref. Table 5-17
4	E <sub>103</sub>	E <sub>102</sub>	E <sub>101</sub>	E <sub>100</sub>	E <sub>99</sub>	E <sub>98</sub>	E <sub>97</sub>	E <sub>96</sub>	Ref. Table 5-17
5	E <sub>95</sub>	E <sub>94</sub>	E <sub>93</sub>	E <sub>92</sub>	E <sub>91</sub>	E <sub>90</sub>	E <sub>89</sub>	E <sub>88</sub>	Ref. Table 5-17
6	E <sub>87</sub>	E <sub>86</sub>	E <sub>85</sub>	E <sub>84</sub>	E <sub>83</sub>	E <sub>82</sub>	E <sub>81</sub>	E <sub>80</sub>	Ref. Table 5-17
7	E <sub>79</sub>	E <sub>78</sub>	E <sub>77</sub>	E <sub>76</sub>	E <sub>75</sub>	E <sub>74</sub>	E <sub>73</sub>	E <sub>72</sub>	Ref. Table 5-17
8	E <sub>71</sub>	E <sub>70</sub>	E <sub>69</sub>	E <sub>68</sub>	E <sub>67</sub>	E <sub>66</sub>	E <sub>65</sub>	E <sub>64</sub>	Ref. Table 5-17
9	E <sub>63</sub>	E <sub>62</sub>	E <sub>61</sub>	E <sub>60</sub>	E <sub>59</sub>	E <sub>58</sub>	E <sub>57</sub>	E <sub>56</sub>	Ref. Table 5-17
10	E <sub>55</sub>	E <sub>54</sub>	E <sub>53</sub>	E <sub>52</sub>	E <sub>51</sub>	E <sub>50</sub>	E <sub>49</sub>	E <sub>48</sub>	Ref. Table 5-17
11	E <sub>47</sub>	E <sub>46</sub>	E <sub>45</sub>	E <sub>44</sub>	E <sub>43</sub>	E <sub>42</sub>	E <sub>41</sub>	E <sub>40</sub>	Ref. Table 5-17
12	E <sub>39</sub>	E <sub>38</sub>	E <sub>37</sub>	E <sub>36</sub>	E <sub>35</sub>	E <sub>34</sub>	E <sub>33</sub>	E <sub>32</sub>	Ref. Table 5-17
13	E <sub>31</sub>	E <sub>30</sub>	E <sub>29</sub>	E <sub>28</sub>	E <sub>27</sub>	E <sub>26</sub>	E <sub>25</sub>	E <sub>24</sub>	Ref. Table 5-17
14	E <sub>23</sub>	E <sub>22</sub>	E <sub>21</sub>	E <sub>20</sub>	E <sub>19</sub>	E <sub>18</sub>	E <sub>17</sub>	E <sub>16</sub>	Ref. Table 5-17
15	E <sub>15</sub>	E <sub>14</sub>	E <sub>13</sub>	E <sub>12</sub>	E <sub>11</sub>	E <sub>10</sub>	E <sub>9</sub>	E <sub>8</sub>	Ref. Table 5-17
16	E <sub>7</sub>	E <sub>6</sub>	E <sub>5</sub>	E <sub>4</sub>	E <sub>3</sub>	E <sub>2</sub>	E <sub>1</sub>	E <sub>0</sub>	Ref. Table 5-17
17	C <sub>31</sub>	C <sub>30</sub>	C <sub>29</sub>	C <sub>28</sub>	C <sub>27</sub>	C <sub>26</sub>	C <sub>25</sub>	C <sub>24</sub>	Cyclic Redundancy Check is performed on all preceding bytes, ref. section 5.4.7
18	C <sub>23</sub>	C <sub>22</sub>	C <sub>21</sub>	C <sub>20</sub>	C <sub>19</sub>	C <sub>18</sub>	C <sub>17</sub>	C <sub>16</sub>	
19	C <sub>15</sub>	C <sub>14</sub>	C <sub>13</sub>	C <sub>12</sub>	C <sub>11</sub>	C <sub>10</sub>	C <sub>9</sub>	C <sub>8</sub>	
20	C <sub>7</sub>	C <sub>6</sub>	C <sub>5</sub>	C <sub>4</sub>	C <sub>3</sub>	C <sub>2</sub>	C <sub>1</sub>	C <sub>0</sub>	
(21)	0	0	0	0	1	1	0	1	<CR> If datagram termination has been selected
(22)	0	0	0	0	1	0	1	0	<LF> If datagram termination has been selected

**Table 5-17: Specification of the Extended Error Information**

Bit#	Specification	Bit#	Specification	Bit#	Specification	Bit#	Specification
E <sub>127</sub>	For future use (=0)	E <sub>126</sub>	For future use (=0)	E <sub>125</sub>	For future use (=0)	E <sub>124</sub>	For future use (=0)
E <sub>123</sub>	For future use (=0)	E <sub>122</sub>	For future use (=0)	E <sub>121</sub>	For future use (=0)	E <sub>120</sub>	For future use (=0)
E <sub>119</sub>	For future use (=0)	E <sub>118</sub>	For future use (=0)	E <sub>117</sub>	For future use (=0)	E <sub>116</sub>	For future use (=0)
E <sub>115</sub>	For future use (=0)	E <sub>114</sub>	For future use (=0)	E <sub>113</sub>	For future use (=0)	E <sub>112</sub>	For future use (=0)
E <sub>111</sub>	Reference voltage#4 error	E <sub>110</sub>	For future use (=0)	E <sub>109</sub>	INC Z: Overload	E <sub>108</sub>	INC Y: Overload
E <sub>107</sub>	INC X: Overload	E <sub>106</sub>	ACC Z: Overload	E <sub>105</sub>	ACC Y: Overload	E <sub>104</sub>	ACC X: Overload
E <sub>103</sub>	GYRO Z: Overload	E <sub>102</sub>	GYRO Y: Overload	E <sub>101</sub>	GYRO X: Overload	E <sub>100</sub>	GYRO Z: Config.error
E <sub>99</sub>	GYRO Y: Config.error	E <sub>98</sub>	GYRO X: Config.error	E <sub>97</sub>	µC temperature failure	E <sub>96</sub>	GYRO Z: ASIC temp.dev.
E <sub>95</sub>	GYRO Y: ASIC temp.dev	E <sub>94</sub>	GYRO X: ASIC temp.dev	E <sub>93</sub>	INC Y: Temp.deviation	E <sub>92</sub>	INC X/Z: Temp.deviation
E <sub>91</sub>	ACC Z: Temp.deviation	E <sub>90</sub>	ACC Y: Temp.deviation	E <sub>89</sub>	ACC X: Temp.deviation	E <sub>88</sub>	GYRO Z: Temp.deviation
E <sub>87</sub>	GYRO Y: Temp.deviation	E <sub>86</sub>	GYRO X: Temp.deviation	E <sub>85</sub>	Self-test not running	E <sub>84</sub>	TEMP INC Y: ADC error
E <sub>83</sub>	TEMP INC X/Z: ADC error	E <sub>82</sub>	TEMP ACC Z: ADC error	E <sub>81</sub>	TEMP ACC Y: ADC error	E <sub>80</sub>	TEMP ACC X: ADC error
E <sub>79</sub>	TEMP GYRO Z: Clipped	E <sub>78</sub>	TEMP GYRO Y: Clipped	E <sub>77</sub>	TEMP GYRO X: Clipped	E <sub>76</sub>	For future use (=0)
E <sub>75</sub>	INC Z: ADC error	E <sub>74</sub>	INC Y: ADC error	E <sub>73</sub>	INC X: ADC error	E <sub>72</sub>	ACC Z: ADC error
E <sub>71</sub>	ACC Y: ADC error	E <sub>70</sub>	ACC X: ADC error	E <sub>69</sub>	For future use (=0)	E <sub>68</sub>	UART unable to transmit
E <sub>67</sub>	GYRO Z: data missing	E <sub>66</sub>	GYRO Y: Data missing	E <sub>65</sub>	GYRO X: Data missing	E <sub>64</sub>	Transmit stack warning
E <sub>63</sub>	Flash stack warning	E <sub>62</sub>	Sample stack warning	E <sub>61</sub>	Command stack warning	E <sub>60</sub>	Monitor stack warning
E <sub>59</sub>	Supply overvoltage	E <sub>58</sub>	Internal DAC error	E <sub>57</sub>	Flash check error	E <sub>56</sub>	RAM check error
E <sub>55</sub>	TEMP INC Y: Error	E <sub>54</sub>	TEMP INC X/Z: Error	E <sub>53</sub>	INC Z: Clipped	E <sub>52</sub>	INC Y: Clipped
E <sub>51</sub>	INC X: Clipped	E <sub>50</sub>	TEMP ACC Z: Error	E <sub>49</sub>	TEMP ACC Y: Error	E <sub>48</sub>	TEMP ACC X: Error
E <sub>47</sub>	ACC Z: Clipped	E <sub>46</sub>	ACC Y: Clipped	E <sub>45</sub>	ACC X: Clipped	E <sub>44</sub>	GYRO Z: Data lost
E <sub>43</sub>	GYRO Z: Exc.ampl.error	E <sub>42</sub>	GYRO Z: Int.comm.error	E <sub>41</sub>	For future use (=0)	E <sub>40</sub>	For future use (=0)
E <sub>39</sub>	GYRO Z: ASIC overflow, I	E <sub>38</sub>	GYRO Z: ASIC overflow, Q	E <sub>37</sub>	GYRO Y: Data lost	E <sub>36</sub>	GYRO Y: Exc.ampl.error
E <sub>35</sub>	GYRO Y: Int.comm.error	E <sub>34</sub>	For future use (=0)	E <sub>33</sub>	For future use (=0)	E <sub>32</sub>	GYRO Y: ASIC overflow, I
E <sub>31</sub>	GYRO Y: ASIC overflow, Q	E <sub>30</sub>	GYRO X: Data lost	E <sub>29</sub>	GYRO X: Exc.ampl.error	E <sub>28</sub>	GYRO X: Int.comm.error
E <sub>27</sub>	For future use (=0)	E <sub>26</sub>	For future use (=0)	E <sub>25</sub>	GYRO X: ASIC overflow, I	E <sub>24</sub>	GYRO X: ASIC overflow, Q
E <sub>23</sub>	Regulated voltage#3 error	E <sub>22</sub>	Regulated voltage#2 error	E <sub>21</sub>	Regulated voltage#1 error	E <sub>20</sub>	Supply voltage error
E <sub>19</sub>	Reference voltage#3 error	E <sub>18</sub>	Reference voltage#2 error	E <sub>17</sub>	Reference voltage#1 error	E <sub>16</sub>	Start-up phase active
E <sub>15</sub>	GYRO Z: Int.comm.error	E <sub>14</sub>	GYRO Y: Int.comm.error	E <sub>13</sub>	GYRO X: Int.comm.error	E <sub>12</sub>	GYRO Z: Clipped
E <sub>11</sub>	GYRO Y: Clipped	E <sub>10</sub>	GYRO X: Clipped	E <sub>9</sub>	TEMP GYRO Z: Error	E <sub>8</sub>	TEMP GYRO Y: Error
E <sub>7</sub>	TEMP GYRO X: Error	E <sub>6</sub>	GYRO Z: ASIC temp.error	E <sub>5</sub>	GYRO Y: ASIC temp.error	E <sub>4</sub>	GYRO X: ASIC temp.error
E <sub>3</sub>	µC temperature error	E <sub>2</sub>	GYRO Z: Exc.freq.error	E <sub>1</sub>	GYRO Y: Exc.freq.error	E <sub>0</sub>	GYRO X: Exc.freq.error

### 5.4.6 Normal Mode datagram

**Table 5-18: Specification of the Normal Mode datagram (full data content in datagram)**

Byte#	Bit#								Specification
	7	6	5	4	3	2	1	0	
0	1	0	1	0	1	1	1	1	Normal Mode datagram identifier for Normal Mode datagram with full content. Identifier for reduced content datagrams can be found in Table 5-19
1	Gx23	Gx22	Gx21	Gx20	Gx19	Gx18	Gx17	Gx16	X-axis gyro output, ref. sections 7.4.2.2.2 to 7.4.2.2.5 for conversion to units
2	Gx15	Gx14	Gx13	Gx12	G11	Gx10	Gx9	Gx8	
3	Gx7	Gx6	Gx5	Gx4	Gx3	Gx2	Gx1	Gx0	
4	Gy23	Gy22	Gy21	Gy20	Gy19	Gy18	Gy17	Gy16	
5	Gy15	Gy14	Gy13	Gy12	Gy11	Gy10	Gy9	Gy8	Y-axis gyro output, ref. sections 7.4.2.2.2 to 7.4.2.2.5 for conversion to units
6	Gy7	Gy6	Gy5	Gy4	Gy3	Gy2	Gy1	Gy0	
7	Gz23	Gz22	Gz21	Gz20	Gz19	Gz18	Gz17	Gz16	Z-axis gyro output, ref. sections 7.4.2.2.2 to 7.4.2.2.5 for conversion to units
8	Gz15	Gz14	Gz13	Gz12	Gz11	Gz10	Gz9	Gz8	
9	Gz7	Gz6	Gz5	Gz4	Gz3	Gz2	Gz1	Gz0	
10	Gs7	Gs6	Gs5	Gs4	Gs3	Gs2	Gs1	Gs0	
11	Ax23	Ax22	Ax21	Ax20	Ax19	Ax18	Ax17	Ax16	STATUS byte for gyro measurements, ref. Table 5-21
12	Ax15	Ax14	Ax13	Ax12	Ax11	Ax10	Ax9	Ax8	
13	Ax7	Ax6	Ax5	Ax4	Ax3	Ax2	Ax1	Ax0	X-axis accelerometer output, ref. sections 7.4.2.2.7 to 7.4.2.2.10 for conversion to units
14	Ay23	Ay22	Ay21	Ay20	Ay19	Ay18	Ay17	Ay16	
15	Ay15	Ay14	Ay13	Ay12	Ay11	Ay10	Ay9	Ay8	
16	Ay7	Ay6	Ay5	Ay4	Ay3	Ay2	Ay1	Ay0	
17	Az23	Az22	Az21	Az20	Az19	Az18	Az17	Az16	Z-axis accelerometer output, ref. sections 7.4.2.2.7 to 7.4.2.2.10 for conversion to units
18	Az15	Az14	Az13	Az12	Az11	Az10	Az9	Az8	
19	Az7	Az6	Az5	Az4	Az3	Az2	Az1	Az0	
20	As7	As6	As5	As4	As3	As2	As1	As0	
21	Ix23	Ix22	Ix21	Ix20	Ix19	Ix18	Ix17	Ix16	STATUS byte for accelerometer measurements, ref. Table 5-21
22	Ix15	Ix14	Ix13	Ix12	Ix11	Ix10	Ix9	Ix8	
23	Ix7	Ix6	Ix5	Ix4	Ix3	Ix2	Ix1	Ix0	X-axis Inclinomometer output, ref. sections 7.4.2.2.11 to 7.4.2.2.14 for conversion to units
24	Iy23	Iy22	Iy21	Iy20	Iy19	Iy18	Iy17	Iy16	
25	Iy15	Iy14	Iy13	Iy12	Iy11	Iy10	Iy9	Iy8	
26	Iy7	Iy6	Iy5	Iy4	Iy3	Iy2	Iy1	Iy0	
27	Iz23	Iz22	Iz21	Iz20	Iz19	Iz18	Iz17	Iz16	Y-axis Inclinomometer output, ref. sections 7.4.2.2.11 to 7.4.2.2.14 for conversion to units
28	Iz15	Iz14	Iz13	Iz12	Iz11	Iz10	Iz9	Iz8	
29	Iz7	Iz6	Iz5	Iz4	Iz3	Iz2	Iz1	Iz0	
30	Is7	Is6	Is5	Is4	Is3	Is2	Is1	Is0	
31	GTx15	GTx14	GTx13	GTx12	GTx11	GTx10	GTx9	GTx8	STATUS byte for inclinometer measurements, ref. Table 5-21
32	GTx7	GTx6	GTx5	GTx4	GTx3	GTx2	GTx1	GTx0	
33	Gty15	Gty14	Gty13	Gty12	Gty11	Gty10	Gty9	Gty8	X-axis gyro temperature data, ref. section 7.4.2.2.15 for conversion to units
34	Gty7	Gty6	Gty5	Gty4	Gty3	Gty2	Gty1	Gty0	
35	GTz15	GTz14	GTz13	GTz12	GTz11	GTz10	GTz9	GTz8	
36	GTz7	GTz6	GTz5	GTz4	GTz3	GTz2	GTz1	GTz0	
37	Gts7	Gts6	Gts5	Gts4	Gts3	Gts2	Gts1	Gts0	STATUS byte for gyro temperature measurements, ref. Table 5-21
38	Atx15	Atx14	Atx13	Atx12	Atx11	Atx10	Atx9	Atx8	
39	Atx7	Atx6	Atx5	Atx4	Atx3	Atx2	Atx1	Atx0	X-axis accelerometer temperature data, ref. section 7.4.2.2.15 for conversion to units
40	Aty15	Aty14	Aty13	Aty12	Aty11	Aty10	Aty9	Aty8	
41	Aty7	Aty6	Aty5	Aty4	Aty3	Aty2	Aty1	Aty0	
42	Atz15	Atz14	Atz13	Atz12	Atz11	Atz10	Atz9	Atz8	
43	Atz7	Atz6	Atz5	Atz4	Atz3	Atz2	Atz1	Atz0	STATUS byte for accelerometer temperature measurements, ref. Table 5-21
44	Ats7	Ats6	Ats5	Ats4	Ats3	Ats2	Ats1	Ats0	
45	Itx15	Itx14	Itx13	Itx12	Itx11	Itx10	Itx9	Itx8	Z-axis accelerometer temperature data, ref. section 7.4.2.2.15 for conversion to units
46	Itx7	Itx6	Itx5	Itx4	Itx3	Itx2	Itx1	Itx0	
47	Ity15	Ity14	Ity13	Ity12	Ity11	Ity10	Ity9	Ity8	
48	Ity7	Ity6	Ity5	Ity4	Ity3	Ity2	Ity1	Ity0	
49	Itz15	Itz14	Itz13	Itz12	Itz11	Itz10	Itz9	Itz8	STATUS byte for inclinometer temperature measurements, ref. Table 5-21
50	Itz7	Itz6	Itz5	Itz4	Itz3	Itz2	Itz1	Itz0	
51	Its7	Its6	Its5	Its4	Its3	Its2	Its1	Its0	STATUS byte for inclinometer temperature measurements, ref. Table 5-21
52	n7	n6	n5	n4	n3	n2	n1	n0	
53	t15	t14	t13	t12	t11	t10	t9	t8	Counter, ref. section 7.4.2.2.16
54	t7	t6	t5	t4	t3	t2	t1	t0	
55	C31	C30	C29	C28	C27	C26	C25	C24	Latency, ref. section 7.4.2.2.17 for conversion to units.
56	C23	C22	C21	C20	C19	C18	C17	C16	
57	C15	C14	C13	C12	C11	C10	C9	C8	
58	C7	C6	C5	C4	C3	C2	C1	C0	
(59)	0	0	0	0	1	1	0	1	<CR> If datagram termination has been selected
(60)	0	0	0	0	1	0	1	0	<LF> If datagram termination has been selected

Normal Mode datagrams with reduced content can be chosen at order or configured in Service Mode. Overview of available datagrams can be found in Table 5-19 and in section 12. When choosing a Normal mode datagram with reduced content, the Normal Mode datagram will be shorter. However the order of requested data will be transmitted as shown in Table 5-18. When selecting temperature in the datagram, only temperatures for the selected measurement-clusters will be transmitted, e.g. if gyro and inclinometer data have been chosen together with temperature, only temperatures for the gyros and inclinometers will be transmitted.



**Table 5-19: Normal Mode datagram identifiers**

Datagram content	Identifier
Rate	0x90
Rate and acceleration	0x91
Rate and inclination	0x92
Rate, acceleration and inclination	0x93
Rate and temperature	0x94
Rate, acceleration and temperature	0xA5
Rate, inclination and temperature	0xA6
Rate, acceleration, inclination and temperature	0xA7

#### 5.4.7 Cyclic Redundancy Check (CRC)

At the end of all datagrams is a 32-bit Cyclic Redundancy Checksum. The CRC checksum enables the user to detect errors in the transfer of data from STIM318. The CRC is calculated using the following equation:

$$x^{32} + x^{26} + x^{23} + x^{22} + x^{16} + x^{12} + x^{11} + x^{10} + x^8 + x^7 + x^5 + x^4 + x^2 + x + 1$$

seed = 0xFFFFFFFF

All preceding data, including the datagram identifier, is included in the CRC.

The CRC-algorithm requires full sets of 32-bits (4 bytes). Several of the defined datagrams from STIM318 have a length which is not an integer number of 4 bytes. In order to have an efficient transmission of data and thereby avoid transmitting bytes with no meaningful content, dummy-byte(s) with content = 0x00 are added when the CRC of the last byte(s) is calculated.

Example: Datagram with ID=0xA7 (rate, acceleration, inclination and temperature) has been chosen. This datagram consists of 55 bytes prior to the CRC checksum. Hence this datagram consists of 13 sets of 32 bits + 3 bytes. In order to include the last 3 bytes in the CRC checksum, 1 byte = 0x00 is added, making the last data byte the least significant byte.

Table 5-20 lists the number of dummy-bytes needed to calculate the final CRC-checksum for the different datagrams in Normal Mode.

**Table 5-20: Number of dummy-bytes to be added for CRC-calculation**

Datagram content	Identifier	# dummy-bytes
Part Number datagram	0xB1, 0xB3	0
Serial Number datagram	0xB5, 0xB7	0
Configuration datagram	0xBC, 0xBD	2
Extended Error Information datagram	0xBE, 0xBF	3
Bias Trim offset datagram	0xD1, 0xD2	0
Rate	0x90	2
Rate and acceleration	0x91	0
Rate and inclination	0x92	0
Rate, acceleration and inclination	0x93	2
Rate and temperature	0x94	3
Rate, acceleration and temperature	0xA5	2
Rate, inclination and temperature	0xA6	2
Rate, acceleration, inclination and temperature	0xA7	1

## 5.5 Status byte

**Table 5-21: Interpretation of bits in STATUS byte**

Bit	STATUS bit information	Comment
7	0=OK, 1=System integrity error	
6	0=OK, 1=Start-Up	
5	0=OK, 1=Outside operating conditions	
4	0=OK, 1=Overload	Bits 0-2 will flag the overload channel(s)
3	0=OK, 1=Error in measurement-channel	Bits 0-2 will flag the error channel(s)
2	0=OK, 1=Z-channel	
1	0=OK, 1=Y-channel	
0	0=OK, 1=X-channel	

Refer to section 7.5 for more information related to the self-diagnostics of STIM318.

6 MECHANICAL

Table 6-1: Mechanical specifications

Parameter	Conditions	Min	Nom	Max	Unit	Note
<b>HOUSING MATERIAL</b>		Aluminium, Alloy 6082-T6, DIN EN 754-2				
<b>SURFACE TREATMENT</b> Passivation		Surtec 650				1
<b>WEIGHT</b>		57			grams	
<b>VOLUME</b>		32.6 1.99			ccm cu in	
<b>DUST AND HUMIDITY CLASSIFICATION</b>		IP67				
<b>CONNECTOR</b> Type Number of pins Contact type		Micro-D 15 female				
<b>PLUG</b> Proposed plug to fit connector Proposed cover to fit plug	For best EMI performance	Axon MDA 2 15 P Axon micro-D EMI back shell				
<b>FIXATION BOLTS</b>  Recommended torque	Steel base Aluminium base	M4 ISO 4762 / DIN 912 3.5 3.0			Nm Nm	

Note 1: Hexavalent chromium free

6.1 Mechanical dimensions

All dimensions are in mm.

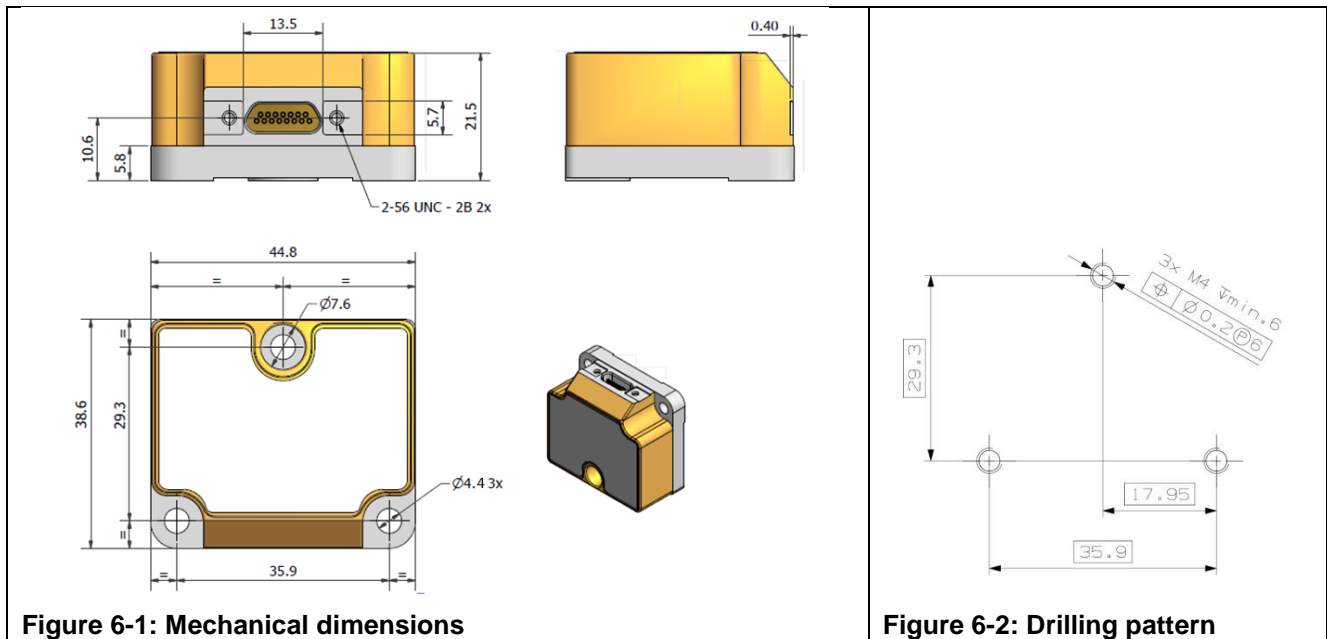


Figure 6-1: Mechanical dimensions

Figure 6-2: Drilling pattern

Table 6-2: Nominal position of accelerometer mass-centers (ref. Figure 6-5 for reference definition)

Axis	X-offset	Y-offset	Z-offset
X	-32.3	-10.2	12.0
Y	-26.5	-6.3	13.1
Z	-27.1	-10.7	6.8

### 6.2 Advice on mounting orientation

The gyros are sensitive to acceleration-forces in certain directions:

- X- and Y-gyros have their highest sensitivity to acceleration-forces in Z-direction
- Z-gyro has its highest sensitivity to acceleration-forces in Y-direction
- X-gyro has its lowest sensitivity to acceleration-forces in X-direction
- Y-gyro has its lowest sensitivity to acceleration-forces in Y-direction
- Z-gyro has its lowest sensitivity to acceleration-forces in Z-direction

### 6.3 Pin configuration

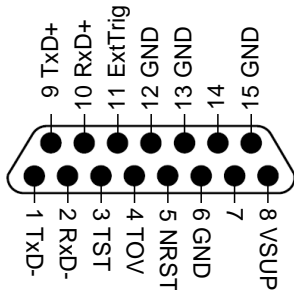


Figure 6-3: Pin configuration as seen from front of STIM318

Table 6-3: Pin descriptions

Pin#	Label	Type	Description
1	TxD-	OUTPUT	RS422 negative output
2	RxD-	INPUT	RS422 negative input
3	TST	OUTPUT	Test pin: Do not connect
4	TOV	OUTPUT	Time of Validity (if not in use, leave floating)
5	NRST	INPUT	Reset (if not in use, connect to VSUP or leave floating)
6	GND	SUPPLY	Internally connected to Power ground (0V)
7			Not connected
8	VSUP	SUPPLY	Power supply (+5V)
9	TxD+	OUTPUT	RS422 positive output
10	RxD+	INPUT	RS422 positive input
11	ExtTrig	INPUT	External trigger (if not in use, connect to VSUP or leave floating)
12	GND	INPUT	Test pin: Connect to ground (0V)
13	GND	INPUT	Test pin: Connect to ground (0V)
14			Not connected
15	GND	SUPPLY	Power ground (0V)

### 6.4 Definition of axes

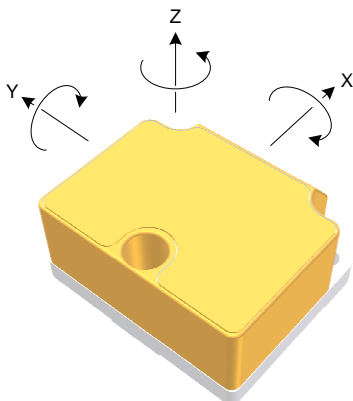


Figure 6-4: Definition of axes

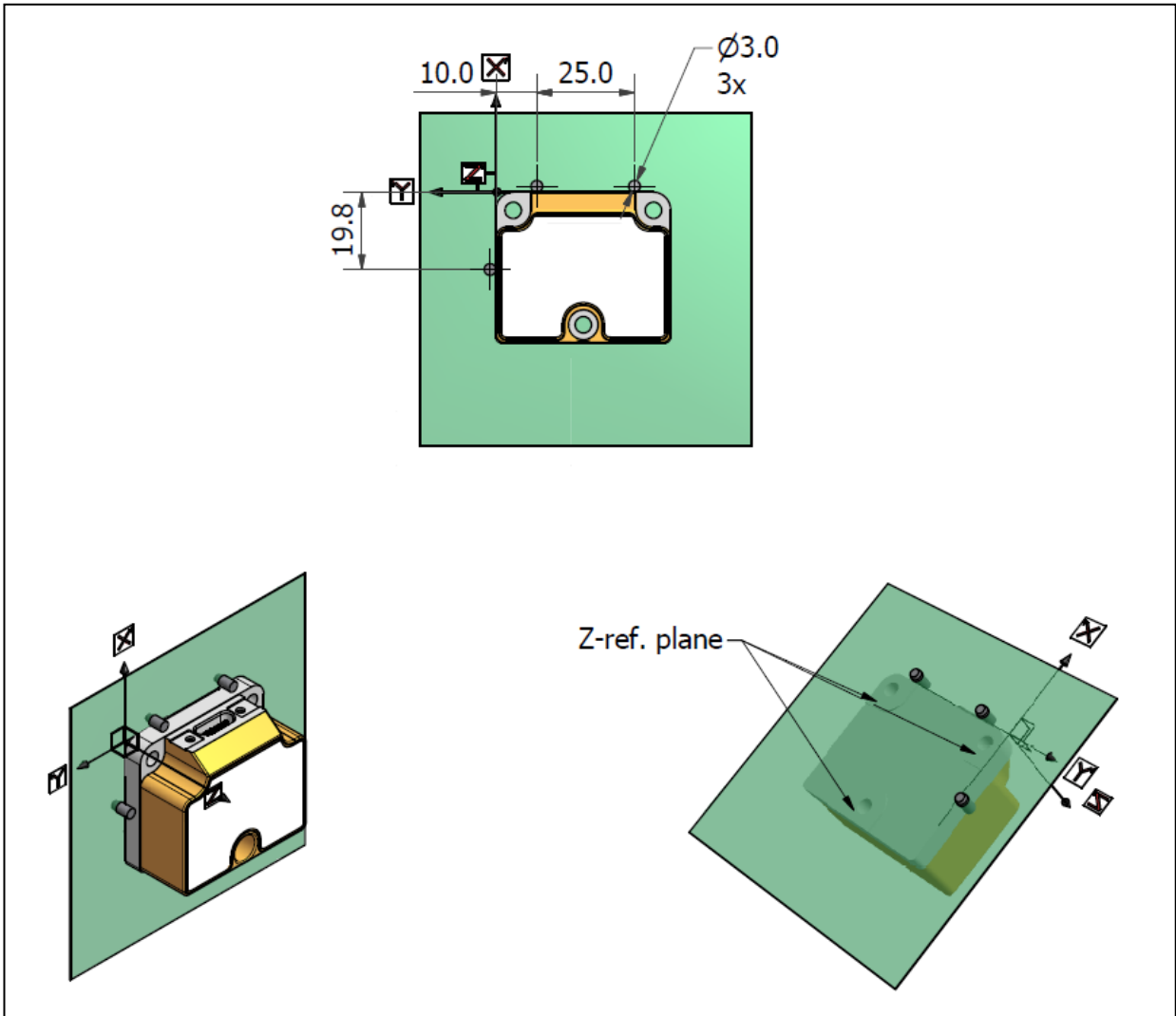
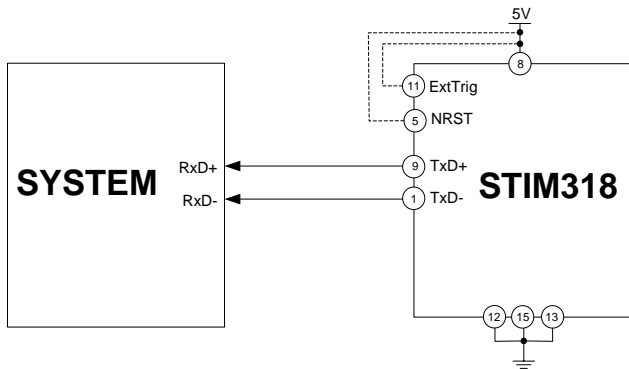


Figure 6-5: Reference points for alignment of axes

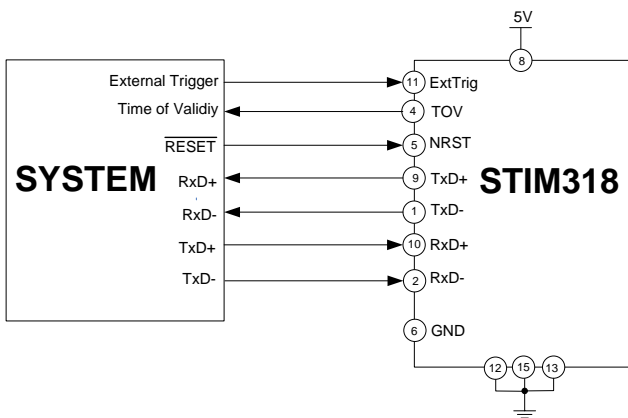
## 7 BASIC OPERATION

STIM318 is very simple to use. Unless having been configured with external trigger, the unit will start performing measurements and transmit the results over the RS422 interface without any need for additional signaling or set-up after power-on. Figure 7-1 shows the simplest connection set-up for STIM318.



**Figure 7-1: Transmit-Only Electrical Connection Diagram**

In order to take full advantage of all features of STIM318, the unit needs to be connected as shown in Figure 7-2. In this set-up the system can reset the unit without having to toggle power, the external trigger function can be utilized, configuration parameters can be changed and extended information like diagnostic information can be read from the device.



**Figure 7-2: Full Function Electrical Connection Diagram**

### 7.1 Reset

STIM318 has a separate reset pin (NRST) in order for the application to reset the unit without having to toggle power. The reset is active low and has an internal pull-up. Hence the input could be left floating if not in use.

The reset signal is routed to the reset of the microcontroller and effectively forces STIM318 into Init Mode (ref. Figure 7-6 and section 7.4.1).

### 7.2 External Trigger

STIM318 has a separate digital input pin to be used when the unit has been configured to transmit only upon external trigger. The measurements themselves will be continuously running at the highest sample rate (2000 samples/s) in order to ensure shortest possible latency when a transmission is requested. The input is set to trigger on the falling edge of the input signal and will then transmit one datagram containing the result of the latest measurement.

The input has an internal pull-up. Hence the input could be left floating if not in use.

Note that when requesting one of the special Normal Mode datagrams, ref. section 8, the datagram will be transmitted at the next external trigger input, replacing the datagram containing sensor data. If several requests for special datagrams are issued prior to an external trigger, it will be the last requested special datagram that will be transmitted.

When STIM318 is in Init Mode (after Power on or Reset), it will transmit the special datagrams as described in section 7.4.1 regardless of external trigger input.

The timing diagram is shown in Figure 7-3. Latency is the time between the moment at which the sample has been digitized + low pass-filtered and the receipt of the external trigger.

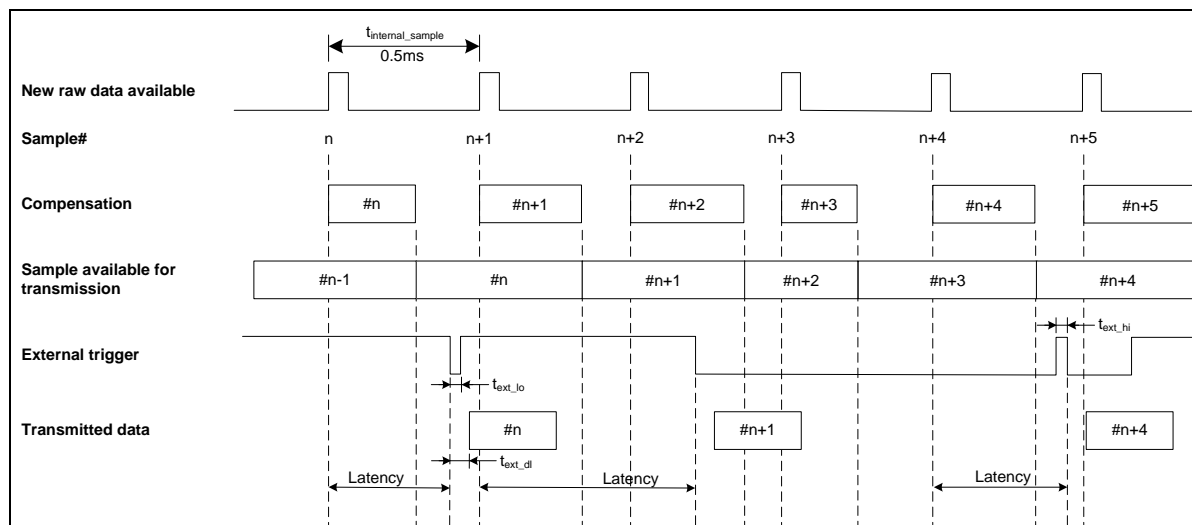


Figure 7-3: Timing of external trigger

### 7.3 Time of Validity (TOV)

The TOV-output serves 2 purposes:

- Provide a synchronization-signal derived from the internal clock of STIM318
- Provide means to signal when a datagram is being transmitted (NB: not when configured to external trigger)

The TOV falling edge occurs synchronous to the sample rate. The raising edge occurs after the last bit of the datagram has been transmitted.

Figure 7-4 and Figure 7-5 show the timing diagram of the TOV-output.

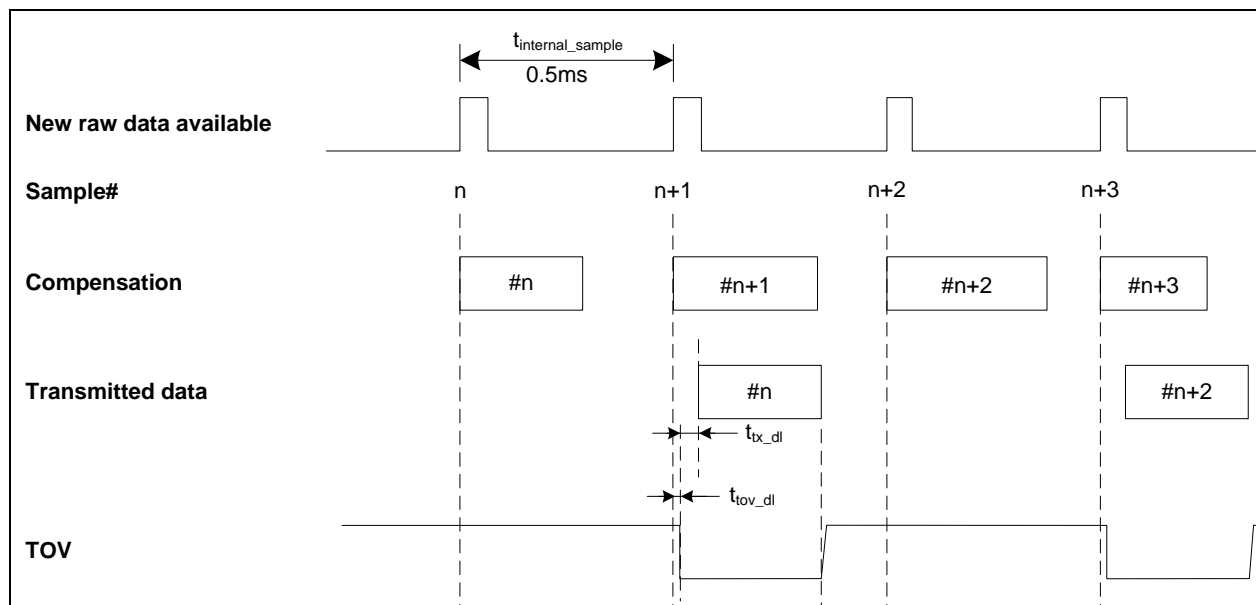


Figure 7-4: Timing of TOV (example: sample rate = 1000samples/s)

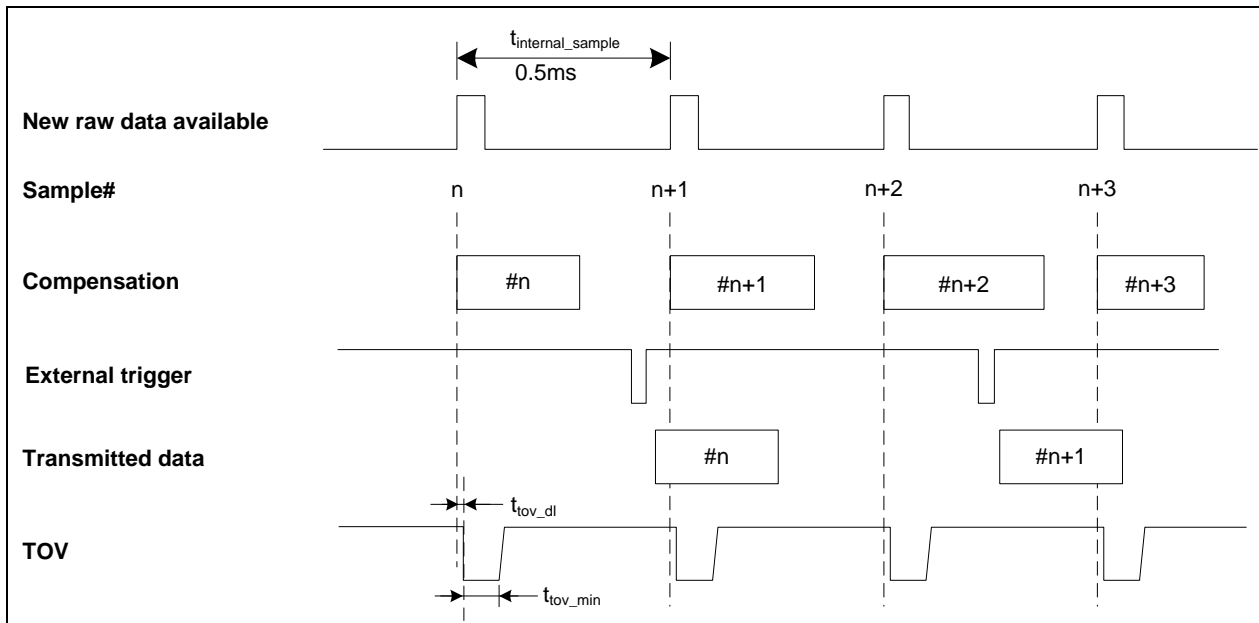


Figure 7-5: Timing of TOV with external trigger

### 7.4 Operating modes

The operating modes of STIM318 are shown in Figure 7-6:

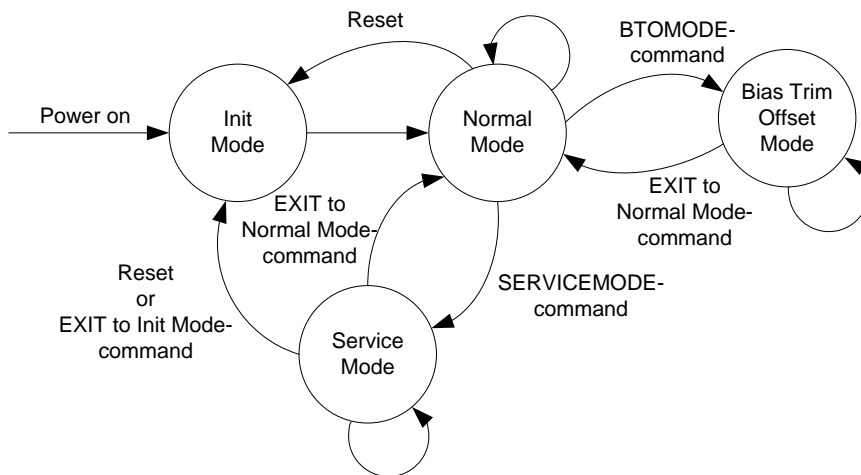


Figure 7-6: Operating modes



### 7.4.1 Init Mode

Init Mode is entered after the following conditions:

- power on
- after an external reset
- when receiving a reset-command in Normal Mode
- when exiting to Init Mode from Service Mode.

In Init Mode the system waits for internal references to settle, resets and synchronizes the sensor channels and transmits four special datagrams containing part number, serial number, configuration data and bias trim offsets. Note that length and format of the special datagrams are different to the datagrams in Normal Mode.

The content and format of the Part Number datagram is specified in Table 5-12.

The content and format of the Serial Number datagram is specified in Table 5-13.

The content and format of the Configuration datagram is specified in Table 5-14.

The content and format of the Bias Trim Offset datagram is specified in Table 5-15.

After having transmitted the special Part Number, Serial Number, Configuration and Bias Trim Offset datagrams, STIM318 enters Normal Mode.

All these special datagrams can also be requested by commands in Normal Mode, ref. section: 8.

### 7.4.2 Normal Mode

In Normal Mode STIM318 will constantly transmit sensor-data at the configured sample rate. The internal sample rate will always be at the maximum regardless of the transmitted sample rate.

STIM318 will continue to transmit data regardless of any errors reported in the STATUS-bytes (ref. Table 5-21). Hence the content of the STATUS-byte should continuously be examined.

The content of the Normal Mode datagram is specified in Table 5-18.

#### 7.4.2.1 Start-Up

When STIM318 enters Normal Mode from Init Mode, there will be a start-up period where STIM318 is stabilizing the gyros. During this period bit 6 is set in the STATUS-byte (ref. Table 5-21) to communicate its condition. Once stabilized, bit 6 will be cleared. During this period the output data should be regarded as non-valid.

There will not be any start-up period when STIM318 is exiting from Service Mode directly to Normal Mode.

### 7.4.2.2 Data output options and interpretation

The gyros in STIM318 measure angular rate [°/s], the accelerometers measure acceleration [g] and the inclinometers measure acceleration [g]. However, in order to make the STIM318 more versatile, a few simple functions are offered, ref. Table 7-1 and Table 7-2:

**Table 7-1: Implemented functions for gyro output units**

Function	Description of function	Equation	Output unit
Incremental	Adds all internal samples between two transmissions multiplied by the time between internal samples	$Incremental = \sum_{i=1}^n AngularRate_i \cdot \frac{1}{2000} s$ $n = 2000 / \text{sample rate}$	[°]
Average	Calculates the average of the internal samples between two transmissions	$Average = \frac{1}{n} \cdot \sum_{i=1}^n AngularRate_i$ $n = 2000 / \text{sample rate}$	[°/s]
Integrated	Adds all internal samples multiplied by the time between internal samples since start-up / last reset. Note that the result takes values in the interval [-4°, 4°> and will naturally wrap-around with no error-message indication in the Status-byte	$Integrated = \sum_{i=1}^n AngularRate_i \cdot \frac{1}{2000} s$ $n = \text{internal samples (at a rate of 2000 samples/s) since start-up or last reset)}$	[°]

**Table 7-2: Implemented functions for accelerometer/inclinometer output units**

Function	Description of function	Equation	Output unit
Incremental	Adds all internal samples between two transmissions multiplied by the time between internal samples and converted to [m/s]	$Incremental = k_0 \cdot \sum_{i=1}^n Acceleration_i \cdot \frac{1}{2000} s$ $k_0 = 9.80665 \text{ m/s}^2/\text{g}$ $n = 2000 / \text{sample rate}$	[m/s]
Average	Calculates the average of the internal samples between two transmissions	$Average = \frac{1}{n} \cdot \sum_{i=1}^n Acceleration_i$ $n = 2000 / \text{sample rate}$	[g]
Integrated	Adds all internal samples multiplied by the time between internal samples since start-up / last reset. Note that the result takes values in a specific interval as described in 7.4.2.2.10 and 7.4.2.2.14 for accelerometer and inclinometer respectively and will naturally wrap-around with no error-message indication in the Status-byte	$Integrated = \sum_{i=1}^n Acceleration_i \cdot \frac{1}{2000} s$ $n = \text{internal samples (at a rate of 2000 samples/s) since start-up or last reset)}$	[gs]

#### 7.4.2.2.1 Delayed gyro output

The inherent group delay of the gyro-, accelerometer- and inclinometer-signals are different, ref. Table 5-3, Table 5-5 and Table 5-8 respectively.

An option is available to delay the gyro signals by 1.0ms in order for the group delay of gyros, and accelerometers to be similar. To enable this feature, select the gyro output-unit ≥ 8, ref. section 9.7 and 12.

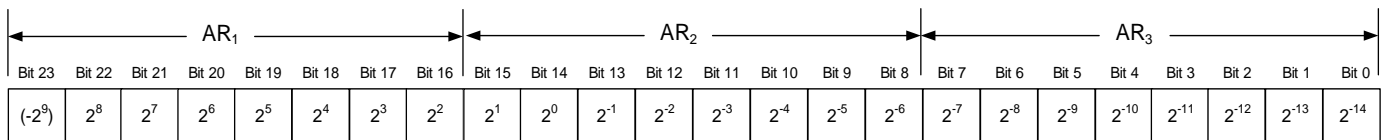
#### 7.4.2.2.2 Gyro output unit = Angular Rate

In the case of STIM318 being configured to output angular rate, the equations for conversion to [°/s] can be found in Equation 1 and Figure 7-7. Note that the output data is represented as two's complement.

**Equation 1: Converting output to [°/s]:**

$$\text{Output}[\text{°/s}] = \frac{(AR_1) \cdot 2^{16} + (AR_2) \cdot 2^8 + (AR_3) - (AR_{b23}) \cdot 2^{24}}{2^{14}}$$

where  $AR_1$  is the most significant byte of the 24bit output  
 $AR_2$  is the middle byte of the 24bit output  
 $AR_3$  is the least significant byte of the 24bit output  
 $AR_{b23}$  is the most significant bit of  $AR_1$



**Figure 7-7: Converting output bytes to [°/s]**

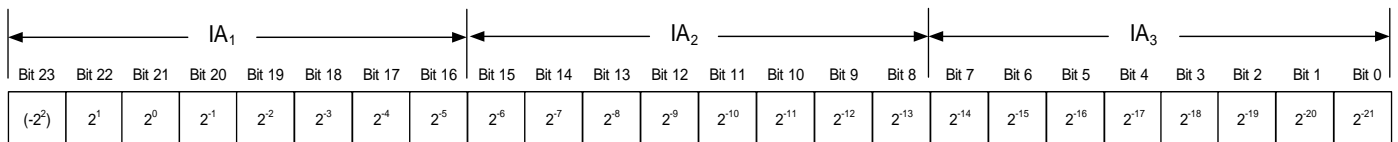
#### 7.4.2.2.3 Gyro output unit = Incremental Angle

In the case of STIM318 being configured to output incremental angle per sample, the equations for conversion to [°/sample] can be found in Equation 2 and Figure 7-8. Note that the output data is represented as two's complement.

**Equation 2: Converting output to [°/sample]**

$$\text{Output}[\text{°/sample}] = \frac{(IA_1) \cdot 2^{16} + (IA_2) \cdot 2^8 + (IA_3) - (IA_{b23}) \cdot 2^{24}}{2^{21}}$$

where  $IA_1$  is the most significant byte of the 24bit output  
 $IA_2$  is the middle byte of the 24bit output  
 $IA_3$  is the least significant byte of the 24bit output  
 $IA_{b23}$  is the most significant bit of  $IA_1$



**Figure 7-8: Converting output bytes to [°/sample]**

#### 7.4.2.2.4 Gyro output unit = Average Angular Rate

In the case of STIM318 being configured to output average angular rate, the transmitted data will be the average of the samples since last transmission. E.g. in the case of continuous transmission of datagrams and a sample rate of 500Hz, each transmission will contain the average of the four previous internal samples.

Note that the configured low-pass filtering is performed prior to calculating the average.

Conversion to [°/s] is the same as for angular rate and is described in Equation 1.

### 7.4.2.2.5 Gyro output unit = Integrated Angle

In the case of STIM318 being configured to output integrated angle, the transmitted data will be the continuously integrated angle since power-on or reset. The integrated angle will be in the interval  $[-4^\circ, 4^\circ]$  and will naturally wrap-around with no error-message indication in the Status-byte.

Conversion to  $[\circ]$  is the same as for incremental angle and is described in Equation 2.

### 7.4.2.2.6 Gyro g-compensation

As the STIM318 also contains accelerometers and inclinometers, functionality has been implemented to provide means to compensate for the g-sensitivity for gyro scale-factor and/or bias.

In addition, a simple 1-pole low-pass filter can be switched in to apply additional filtering of the accelerometer-/inclinometer-signal prior to use in the compensation, ref: Figure 7-10. A simplified compensation-scheme can be found in Figure 7-9.

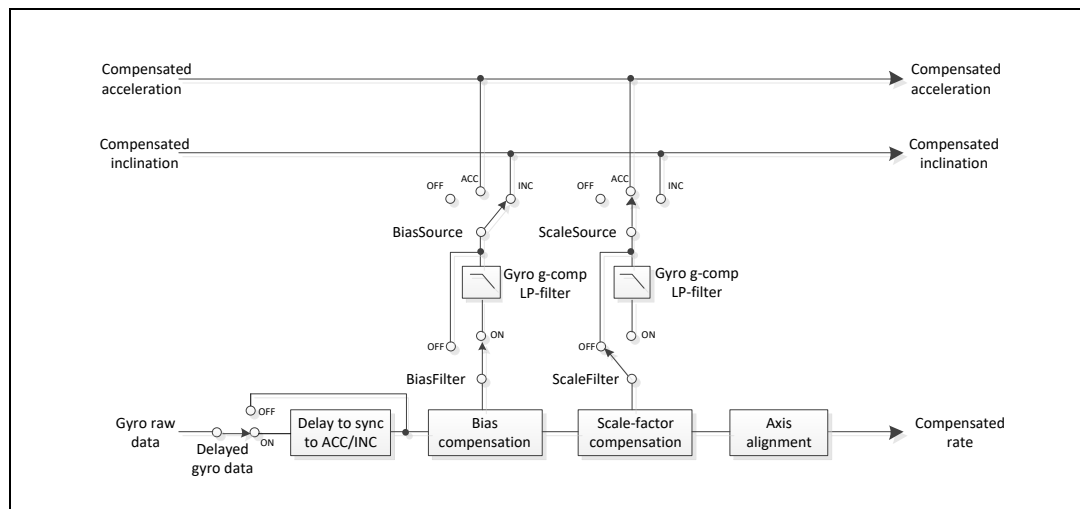


Figure 7-9: Simplified compensation-scheme for gyro g-compensation

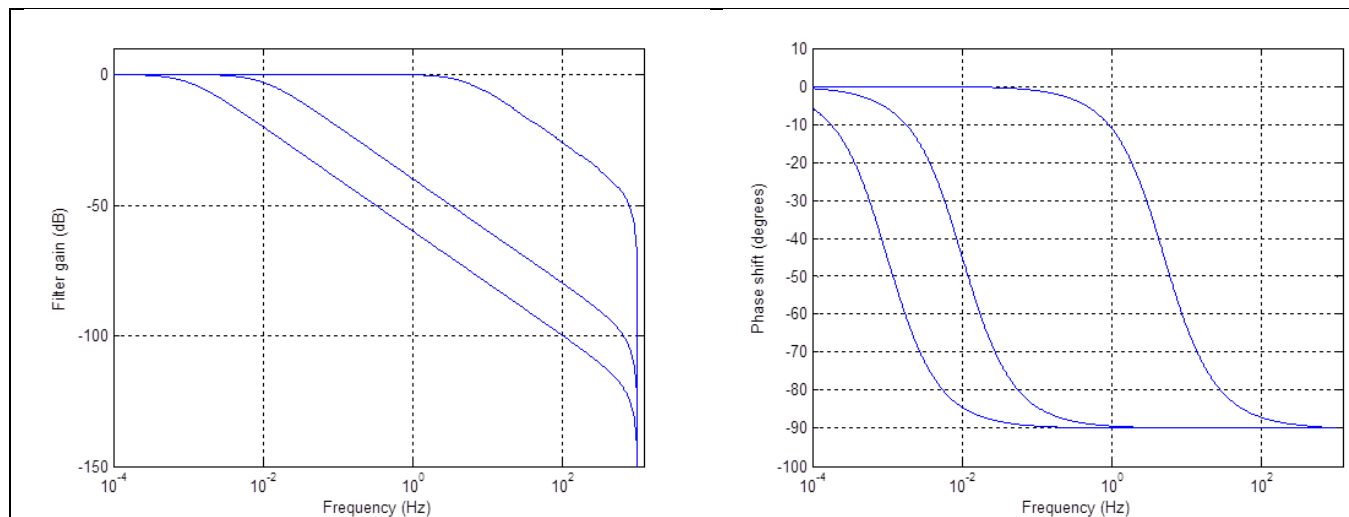


Figure 7-10: Frequency characteristics of g-compensation low-pass filter for 0.001Hz, 0.01Hz and 5Hz settings

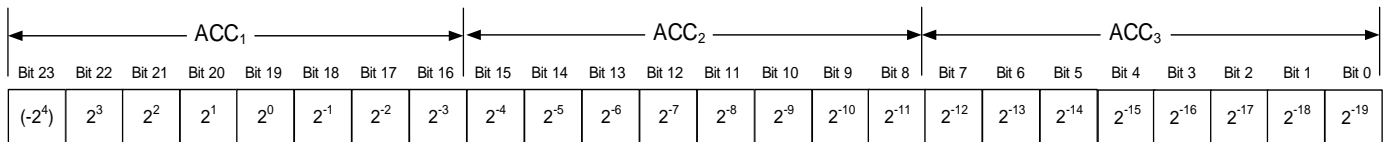
### 7.4.2.2.7 Accelerometer output unit = Acceleration

In the case of STIM318 being configured to output acceleration, the equations for conversion to [g] can be found in Equation 3 and Figure 7-11. Note that the output data is represented as two's complement.

**Equation 3: Converting output to [g]:**

Range	Conversion:
5g	$Output[g] = \frac{(ACC_1) \cdot 2^{16} + (ACC_2) \cdot 2^8 + (ACC_3) - (ACC_{b23}) \cdot 2^{24}}{2^{20}}$
10g	$Output[g] = \frac{(ACC_1) \cdot 2^{16} + (ACC_2) \cdot 2^8 + (ACC_3) - (ACC_{b23}) \cdot 2^{24}}{2^{19}}$
30g	$Output[g] = \frac{(ACC_1) \cdot 2^{16} + (ACC_2) \cdot 2^8 + (ACC_3) - (ACC_{b23}) \cdot 2^{24}}{2^{18}}$
80g	$Output[g] = \frac{(ACC_1) \cdot 2^{16} + (ACC_2) \cdot 2^8 + (ACC_3) - (ACC_{b23}) \cdot 2^{24}}{2^{16}}$

where  $ACC_1$  is the most significant byte of the 24bit output  
 $ACC_2$  is the middle byte of the 24bit output  
 $ACC_3$  is the least significant byte of the 24bit output  
 $ACC_{b23}$  is the most significant bit of  $ACC_1$



**Figure 7-11: Converting output bytes to [g] (example is valid for 10g range)**

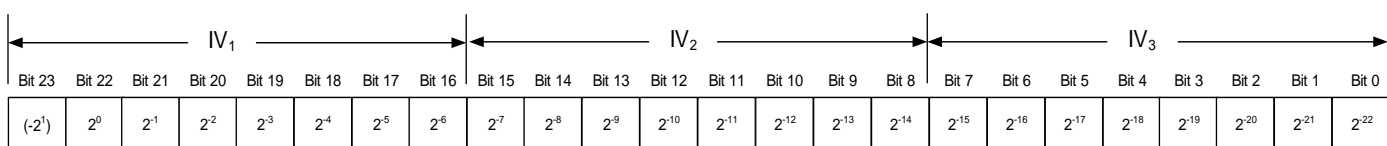
### 7.4.2.2.8 Accelerometer output unit = Incremental Velocity

In the case of STIM318 being configured to output incremental velocity per sample, the equations for conversion to [m/s/sample] can be found in Equation 4 and Figure 7-12. Note that the output data is represented as two's complement.

**Equation 4: Converting output to [m/s/sample]**

Range	Conversion:
5g	$Output[m/s/sample] = \frac{(IV_1) \cdot 2^{16} + (IV_2) \cdot 2^8 + (IV_3) - (IV_{b23}) \cdot 2^{24}}{2^{23}}$
10g	$Output[m/s/sample] = \frac{(IV_1) \cdot 2^{16} + (IV_2) \cdot 2^8 + (IV_3) - (IV_{b23}) \cdot 2^{24}}{2^{22}}$
30g	$Output[m/s/sample] = \frac{(IV_1) \cdot 2^{16} + (IV_2) \cdot 2^8 + (IV_3) - (IV_{b23}) \cdot 2^{24}}{2^{21}}$
80g	$Output[m/s/sample] = \frac{(IV_1) \cdot 2^{16} + (IV_2) \cdot 2^8 + (IV_3) - (IV_{b23}) \cdot 2^{24}}{2^{19}}$

where  $IV_1$  is the most significant byte of the 24bit output  
 $IV_2$  is the middle byte of the 24bit output  
 $IV_3$  is the least significant byte of the 24bit output  
 $IV_{b23}$  is the most significant bit of  $IV_1$



**Figure 7-12: Converting output bytes to [m/s/sample] (example is valid for 10g range)**

### 7.4.2.2.9 Accelerometer output unit = Average Acceleration

In the case of STIM318 being configured to output average acceleration, the transmitted data will be the average of the samples since last transmission. E.g. in the case of continuous transmission of datagrams and a sample rate of 500Hz, each transmission will contain the average of the four internal samples.

Conversion to [g] is the same as for acceleration and is described in Equation 3.

### 7.4.2.2.10 Accelerometer output unit = Integrated Velocity

In the case of STIM318 being configured to output integrated velocity, the transmitted data will be the continuously integrated velocity since power-on or reset. The integrated velocity will be in the interval as shown in Table 7-3 and will naturally wrap-around with no error-message indication in the Status-byte.

**Table 7-3: Interval for integrated velocity**

Range	Interval:
5g	[-1gs, 1gs>
10g	[-2gs, 2gs>
30g	[-4gs, 4gs>
80g	[-16gs, 16gs>

Conversion to [gs] is the same as for incremental velocity and is described in Equation 4.

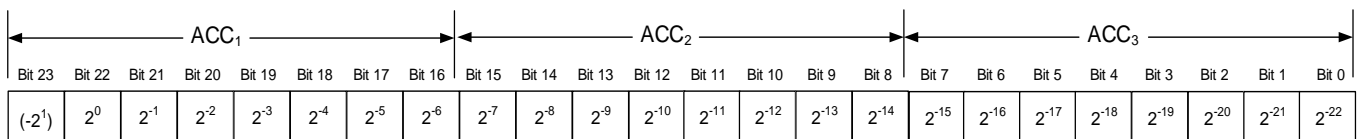
### 7.4.2.2.11 Inclinometer output unit = Acceleration

In the case of STIM318 being configured to output acceleration, the equations for conversion to [g] can be found in Equation 5 and Figure 7-13. Note that the output data is represented as two's complement.

**Equation 5: Converting output to [g]:**

$$Output[g] = \frac{(ACC_1) \cdot 2^{16} + (ACC_2) \cdot 2^8 + (ACC_3) - (ACC_{b23}) \cdot 2^{24}}{2^{22}}$$

where  $ACC_1$  is the most significant byte of the 24bit output  
 $ACC_2$  is the middle byte of the 24bit output  
 $ACC_3$  is the least significant byte of the 24bit output  
 $ACC_{b23}$  is the most significant bit of  $ACC_1$



**Figure 7-13: Converting output bytes to [g]**

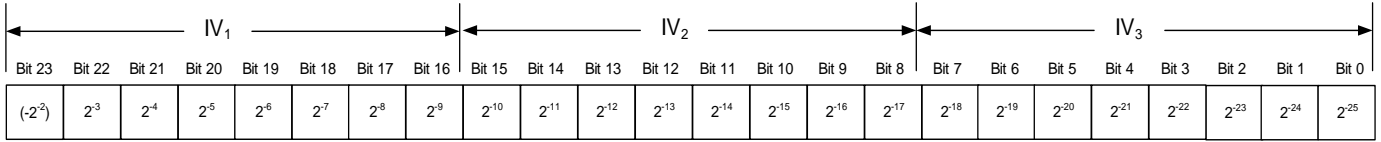
### 7.4.2.2.12 Inclinometer output unit = Incremental Velocity

In the case of STIM318 being configured to output incremental velocity per sample, the equations for conversion to [m/s/sample] can be found in Equation 6 and Figure 7-14. Note that the output data is represented as two's complement.

**Equation 6: Converting output to [m/s/sample]**

$$Output[m/s/sample] = \frac{(IV_1) \cdot 2^{16} + (IV_2) \cdot 2^8 + (IV_3) - (IV_{b23}) \cdot 2^{24}}{2^{25}}$$

where  $IV_1$  is the most significant byte of the 24bit output  
 $IV_2$  is the middle byte of the 24bit output  
 $IV_3$  is the least significant byte of the 24bit output  
 $IV_{b23}$  is the most significant bit of  $IV_1$



**Figure 7-14: Converting output bytes to [m/s/sample]**

**7.4.2.2.13 Inclinometer output unit = Average Acceleration**

In the case of STIM318 being configured to output average acceleration, the transmitted data will be the average of the samples since last transmission. E.g. in the case of continuous transmission of datagrams and a sample rate of 500Hz, each transmission will contain the average of the four internal samples.

Conversion to [g] is the same as for angular rate and is described in Equation 5.

**7.4.2.2.14 Inclinometer output unit = Integrated Velocity**

In the case of STIM318 being configured to output integrated velocity, the transmitted data will be the continuously integrated velocity since power-on or reset. The integrated velocity will be in the interval [-0.25gs, 0.25gs> and will naturally wrap-around with no error-message indication in the Status-byte.

Conversion to [gs] is the same as for incremental velocity and is described in Equation 6.

**7.4.2.2.15 Temperature**

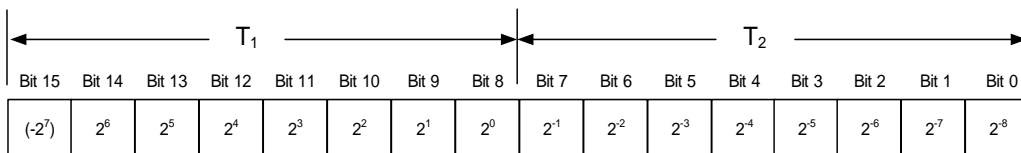
Temperature data for each axis is available in certain datagrams (ref. section 12).

Equation 7 and Figure 7-15 show how to convert to [°C]. Note that the output data is represented as two's complement.

**Equation 7: Converting temperature data to [°C]**

$$Output[°C] = \frac{(T_2) \cdot 2^8 + (T_3) - (T_{b15}) \cdot 2^{16}}{2^8}$$

where  $T_1$  is the most significant byte of the 16bit output  
 $T_2$  is the least significant byte of the 16bit output  
 $T_{b15}$  is the most significant bit of  $T_1$



**Figure 7-15: Converting temperature data to [°C]**

### 7.4.2.2.16 Counter

Counter is continuously counting the internal samples (2000 samples/s). Counter is an un-signed single byte taking values in the interval [0 , 255]. The counter will naturally wrap-around with no error-message indication in the Status-byte.

### 7.4.2.2.17 Latency

To calculate the latency in [ $\mu$ s], refer to Equation 8 and Figure 7-16. Note that latency is an unsigned word.

#### Equation 8: Converting output to [ $\mu$ s]:

$$Output[\mu s] = (LT_1) \cdot 2^8 + (LT_2)$$

where  $LT_1$  is the most significant byte of the 16bit output  
 $LT_2$  is the least significant byte of the 16bit output

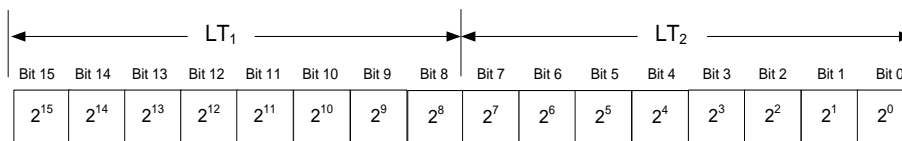


Figure 7-16: Converting output bytes to [ $\mu$ s]

### 7.4.2.3 Bias Trim Offset

The STIM318 offers the possibility to trim the biases by adding or subtracting user-defined offsets to the individual sensor signals. Adjusting the bias trim offsets can be done by entering Bias Trim Offset Mode (ref. section 7.4.4) or Service Mode (ref. section 9).

The bias trim offsets are applied to the sensor-signals after the compensation-algorithms with the sign-convention as shown in Equation 9:

#### Equation 9: Applying bias trim offsets:

$$Sensor_{adjusted} = Sensor_{compensated} + BiasTrimOffset$$

where  $Sensor_{adjusted}$  is the sensor-data to be transmitted  
 $Sensor_{compensated}$  is the sensor-data after compensation  
 $BiasTrimOffset$  is the current bias trim offset for the particular sensor axis

Note that the bias trim offset is in [ $^{\circ}$ /s] for the gyros and [g] for the accelerometers and inclinometers. This is also the case if the chosen output unit is incremental or integrated.

### 7.4.3 Service Mode

In Service Mode the communication interface is human readable and hence the communication format (ASCII) supports the use of terminal-based software during the development phase, when the configuration of a device needs to be changed or during investigations into an observed problem.

When Service Mode is entered, STIM318 will respond with its configuration information (same as the response to the i (INFORMATION) command, ref: Figure 9-1).

A set of commands are available, ref. Section 9, enabling the user to change intermediately or permanently the configuration parameters, display latest measurement results, display higher details on error information and perform a full diagnostic of the unit.

In Service Mode the gyro measurements will still be running in the background, enabling to switch directly back to Normal Mode without the need for any stabilization time of filters, etc. However the measurement data itself, when STIM318 is in Service Mode are not transmitted and therefore lost. By using the a (SINGLE-SHOT MEASUREMENT) command (ref. Section 9.2) it is possible to display single measurement results.



Exiting Service Mode can be done in several ways:

1. Using the external reset. This will force STIM318 into Init Mode. Be advised that during Init Mode, all the configuration parameters are loaded from flash. If any of the configuration parameters have been changed during the Service Mode session but not saved to flash, these changes will be overwritten by the content already stored in flash.
2. Using the x (EXIT) command. When using this command a parameter is required to decide whether the device should go to Init Mode or to Normal Mode. When exiting to Normal Mode, any of the changes made to the configuration parameters will still be valid. However, if not saved, the configuration parameters will be overwritten by the content already stored in flash at the next power-up or reset.

#### 7.4.4 Bias Trim Offset Mode

In Bias Trim Offset Mode, the bias trim offsets can be adjusted.

After having received the "BTOMODE"-command (ref. section 8.8), STIM318 will stop transmitting Normal Mode datagrams and send an acknowledgement that it is now in Bias Trim Offset Mode (ref. section 10.1). Even though the Normal Mode datagrams are not transmitted, the measurements will continue in the background.

Several commands are available to adjust or reset the individual bias trim offsets, ref. section 10.

When the Bias Trim Offset Mode is exited, the STIM318 will return to Normal Mode and resume transmission of Normal Mode datagrams.

#### 7.5 Self-diagnostics

STIM318 is continuously checking its internal status. The checks include:

- Check of internal references
- Check of sensors (error and overload)
- Check of internal temperatures
- Check of RAM and flash
- Check of supply voltage

A full diagnostic can be run to see the result of the individual checks by using the c (DIAGNOSTIC) command, ref. Section 9.3 in SERVICEMODE.

When an error situation is detected, the corresponding bit in the STATUS byte (ref. Table 5-21) will be set. If the sample-rate is set lower than 2000 samples/s, the STATUS byte will reflect the accumulated status of all the sub-samples between two data transmissions. The bits in the STATUS bytes are valid for the data in a single transmission and hence not latched.

Access to extended error registers containing accumulated error-information can be achieved either by using the Normal Mode-command "E" (EXTENDED ERROR INFORMATION DATAGRAM, ref. section 8.5 and Table 5-17) or the SERVICEMODE-command ie (INFORMATION on ACCUMULATED LAST ERRORS, ref. section 9.1).

The extended error registers are cleared at the following events:

- After the start-up phase, triggered by power-on or reset
- After transmission of Extended Error Information Datagram (ref. section 8.5)
- After use of SERVICEMODE-command "i e" (INFORMATION on ACCUMULATED LAST ERRORS, ref. section 9.1)

## 8 COMMANDS IN NORMAL MODE

Several commands are available in Normal Mode, as listed in Table 8-1. Note that all commands in Normal Mode must be transmitted in upper case letters.

**Table 8-1 Available commands in Normal Mode**

Command	Short description
N	Transmits one Part Number datagram
I	Transmits one Serial Number datagram
C	Transmits one Configuration datagram
T	Transmits one Bias Trim Offset datagram
E	Transmits one Extended Error Information datagram
R	Resets the unit
SERVICEMODE	Enters Service Mode
BTOMODE	Enters Bias Trim Offset Mode

**Table 8-2 List of special ASCII characters used in Normal Mode**

Char	Hex	Dec	Short description
<CR>	0x0D	13	“Carriage Return”: used as execution character for commands

No echo of received command characters or error messages will appear for these commands. Only at the receipt of the complete correct command, will STIM318 execute accordingly.

NB: if OUTPUT-UNIT is set to INCREMENTAL (ref. Section 9.7), the transmitted incremented value in the datagram following any of the requested special datagrams will NOT contain the incremental value since the last transmitted measurement. Hence the incremented value(s) occurring during the transmission of a special requested datagram will be lost.

### 8.1 N (PART NUMBER DATAGRAM) command

General description: Requests transmission of a Part Number datagram (ref. Table 5-12).

**Table 8-3 : Available I (PART NUMBER DATAGRAM) command**

Syntax	Response
N<CR>	Transmits one Part Number datagram

The Part Number datagram will replace the next transmitted Normal Mode datagram. If the Part Number datagram is longer than the chosen Normal Mode datagram, the Part Number datagram may replace more than one Normal Mode datagram transmission (dependent on sampling-rate and bit-rate).

If sample rate is set to external trigger, the Part Number datagram will be transmitted at the next external trigger input, replacing the datagram containing sensor data.

### 8.2 I (SERIAL NUMBER DATAGRAM) command

General description: Requests transmission of a Serial number datagram (ref. Table 5-13).

**Table 8-4 : Available I (SERIAL NUMBER DATAGRAM) command**

Syntax	Response
I<CR>	Transmits one Serial Number datagram

The Serial Number datagram will replace the next transmitted Normal Mode datagram. If the Serial Number datagram is longer than the chosen Normal Mode datagram, the Serial Number datagram may replace more than one Normal Mode datagram transmission (dependent on sampling-rate and bit-rate).

If sample rate is set to external trigger, the Serial Number datagram will be transmitted at the next external trigger input, replacing the datagram containing sensor data.

### 8.3 C (CONFIGURATION DATAGRAM) command

General description: Requests transmission of a Configuration datagram (ref. Table 5-14).

**Table 8-5: Available C (CONFIGURATION DATAGRAM) command**

Syntax	Response
C<CR>	Transmits one Configuration datagram

The Configuration datagram will replace the next transmitted Normal Mode datagram. If the Configuration datagram is longer than the chosen Normal Mode datagram, the Configuration datagram may replace more than one Normal Mode datagram transmission (dependent on sampling-rate and bit-rate).

If sample rate is set to external trigger, the Configuration datagram will be transmitted at the next external trigger input, replacing the datagram containing sensor data.

### 8.4 T (BIAS TRIM OFFSET DATAGRAM) command

General description: Requests transmission of a Bias Trim Offset datagram (ref. Table 5-15).

**Table 8-6: Available B (BIAS TRIM OFFSET DATAGRAM) command**

Syntax	Response
T<CR>	Transmits one Bias Trim Offset datagram

The Bias Trim Offset datagram will replace the next transmitted Normal Mode datagram. If the Bias Trim Offset datagram is longer than the chosen Normal Mode datagram, the Configuration datagram may replace more than one Normal Mode datagram transmission (dependent on sampling-rate and bit-rate).

If sample rate is set to external trigger, the Bias Trim Offset datagram will be transmitted at the next external trigger input, replacing the datagram containing sensor data.

### 8.5 E (EXTENDED ERROR INFORMATION DATAGRAM) command

General description: Requests transmission of an Extended Error Information datagram (ref. Table 5-16). This datagram contains the accumulated detected errors (ref. section 7.5).

Once the Extended Error Information datagram has been transmitted, the error-registers are cleared.

**Table 8-7: Available E (EXTENDED ERROR INFORMATION) command**

Syntax	Response
E<CR>	Transmits one Extended Error Information datagram

The Extended Error Information datagram will replace the next transmitted Normal Mode datagram. If the Extended Error Information datagram is longer than the chosen Normal Mode datagram, the Extended Error Information datagram may replace more than one Normal Mode datagram transmission (dependent on sampling-rate and bit-rate).

If sample rate is set to external trigger, the Extended Error Information datagram will be transmitted at the next external trigger input, replacing the datagram containing sensor data.

### 8.6 R (RESET) command

General description: Force a Reset

**Table 8-8: Available R (RESET) command**

Syntax	Response
R<CR>	Resets the unit

## 8.7 SERVICEMODE command

General description: Enters Service Mode (ref. section 7.4.2.3).

**Table 8-9: Available SERVICEMODE command**

Syntax	Response
<b>SERVICEMODE&lt;CR&gt;</b>	Enters Service Mode

If the command is received during the transmission of a datagram, it will complete the transmission before entering Service Mode.

When entering Service Mode, the configuration and identification data of the device will be listed, as shown in Figure 8-1:

```

SERIAL NUMBER = N25582146002002
PRODUCT = STIM318
PART NUMBER = 85020-440000-321 REV C
FW CONFIG = SWD12358 REV 1.2035
GYRO OUTPUT UNIT = [°/s] – ANGULAR RATE DELAYED
ACCELEROMETER OUTPUT UNIT = [g] – ACCELERATION
INCLINOMETER OUTPUT UNIT = [g] - ACCELERATION
SAMPLE RATE [samples/s] = 2000
GYRO CONFIG = XYZ
ACCELEROMETER CONFIG = XYZ
INCLINOMETER CONFIG = XYZ
GYRO RANGE:
  X-AXIS: ± 400°/s
  Y-AXIS: ± 400°/s
  Z-AXIS: ± 400°/s
ACCELEROMETER RANGE:
  X-AXIS: ± 10g
  Y-AXIS: ± 10g
  Z-AXIS: ± 10g
INCLINOMETER RANGE:
  X-AXIS: ± 1.7g
  Y-AXIS: ± 1.7g
  Z-AXIS: ± 1.7g
GYRO LP FILTER -3dB FREQUENCY, X-AXIS [Hz] = 262
GYRO LP FILTER -3dB FREQUENCY, Y-AXIS [Hz] = 262
GYRO LP FILTER -3dB FREQUENCY, Z-AXIS [Hz] = 262
ACCELEROMETER LP FILTER -3dB FREQUENCY, X-AXIS [Hz] = 262
ACCELEROMETER LP FILTER -3dB FREQUENCY, Y-AXIS [Hz] = 262
ACCELEROMETER LP FILTER -3dB FREQUENCY, Z-AXIS [Hz] = 262
INCLINOMETER LP FILTER -3dB FREQUENCY, X-AXIS [Hz] = 262
INCLINOMETER LP FILTER -3dB FREQUENCY, Y-AXIS [Hz] = 262
INCLINOMETER LP FILTER -3dB FREQUENCY, Z-AXIS [Hz] = 262
GYRO G-COMPENSATION:
  BIAS SOURCE, X-AXIS = OFF
  BIAS G-COMP LP-FILTER, X-AXIS = NA
  SCALE SOURCE, X-AXIS = ACC
  SCALE G-COMP LP-FILTER, X-AXIS = OFF
  BIAS SOURCE, Y-AXIS = OFF
  BIAS G-COMP LP-FILTER, Y-AXIS = NA
  SCALE SOURCE, Y-AXIS = ACC
  SCALE G-COMP LP-FILTER, Y-AXIS = OFF
  BIAS SOURCE, Z-AXIS = OFF
  BIAS G-COMP LP-FILTER, Z-AXIS = NA
  SCALE SOURCE, Z-AXIS = ACC
  SCALE G-COMP LP-FILTER, Z-AXIS = OFF
  G-COMP LP-FILTER CUTOFF = 0.010 HZ
BIAS TRIM OFFSET:
  GYRO X-AXIS [°/s ] = 0.02343
  GYRO Y-AXIS [°/s ] = -0.01222
  GYRO Z-AXIS [°/s ] = 0.00111
  ACCELEROMETER X-AXIS [g ] = -0.004256
  ACCELEROMETER Y-AXIS [g ] = -0.013777
  ACCELEROMETER Z-AXIS [g ] = 0.000111

```

```

INCLINOMETER X-AXIS [g ] = 0.0034256
INCLINOMETER Y-AXIS [g ] = 0.0127598
INCLINOMETER Z-AXIS [g ] = - 0.0005309
REFERENCE INFO = 43639
DATAGRAM = RATE, ACCELERATION, INCLINATION
DATAGRAM TERMINATION = NONE
BIT-RATE [bits/s] = 921600
DATA LENGTH = 8
STOP BITS = 1
PARITY = NONE
LINE TERMINATION = ON
>

```

**Figure 8-1: Example of response from SERVICEMODE command**

## 8.8 BTOMODE command

General description: Enters Bias Trim Offset Mode allowing the user to adjust bias trim offsets (ref. section 7.4.4).

**Table 8-10: Available BTOMODE command**

Syntax	Response
<b>BTOMODE&lt;CR&gt;</b>	Enters Bias Trim Offset Mode to receive new adjustments to bias trim offsets

If the command is received during the transmission of a datagram, it will complete the transmission before entering Bias Trim Offset Mode.

## 9 COMMANDS IN SERVICE MODE

Several commands are available in Service Mode, as listed in Table 9-1. Note that all commands in Service Mode are case-sensitive (commands are lower case letters, whilst some parameters may be capital case letters).

Note that backward compatibility in Service Mode responses is not guaranteed.

**Table 9-1 Available commands in Service Mode**

Command	Short description
i	Lists specific information (e.g. serial number, configuration, error information)
a	Performs a single-shot measurement
c	Performs a diagnostic of the unit
d	Changes datagram format
t	Changes transmission parameters (e.g. bit-rate, data-length, stop-bits)
r	Turns line termination ON or OFF
u	Changes measurement output unit
f	Changes LP filter -3dB frequency
m	Changes sample rate
g	Changes the gyro g-compensation configuration for bias and scale factor
b	Changes bias trim offsets
s	Saves configuration data
x	Exits Service Mode and returns to Normal Mode or Init Mode
z	Restore to factory settings
?	Help function on the available commands in Service Mode

**Table 9-2 List of special ASCII characters used in Service Mode**

Char	Hex	Dec	Short description
<BS>	0x08	8	"Back Space": deletes last received character (received since last <CR>)
<CR>	0x0D	13	"Carriage Return": typically used as execution character for commands
<SP>	0x20	32	"Space": used to separate command and first parameter
' , '	0x2C	44	"Comma": used to separate parameters in a command
' > '	0x3E	62	Used together with <CR> as: "Ready to receive new command"-prompt

When STIM318 is in Service Mode and ready to receive a new command, it will issue the special ASCII character <CR> followed by '>'. As some commands (e.g. SINGLE-SHOT MEASUREMENT-command) may respond with a varying number of lines, automated set-ups should look for the special prompt-sequence (<CR>+'>') before issuing a new command.

Received characters will be echoed. A command is decoded and executed when receiving the special ASCII character <CR>. <BS> ("back-space") is also recognised and will delete the last received character in the input buffer. The size of the input buffer is 80 characters. <BS> is valid for the characters received since last <CR>.

The command-character and first parameter (when applicable) are separated by a space (character 0x20). When there are more than one parameter to a command (e.g. TRANSMISSION PARAMETER-command), these must be separated by a comma (character 0x2C).

In the event of an unknown command, inconsistent syntax or incorrect value of parameter(s), STIM318 will respond with an error message. Error messages are on the format:

E<nnn><SP><Error description><CR>

where nnn is an error number

## 9.1 i (INFORMATION) command

General description: Lists various requested information about the device

**Table 9-3 : Available i (INFORMATION) commands**

Syntax	Response
i<CR>	Lists the product configuration and identification data
i<SP><cmd><CR>	Gives information about the specific parameter

**Table 9-4 : Allowed values for <cmd> parameter for i (INFORMATION) commands**

<cmd>	Result
s	Returns the serial number of the device
n	Returns the product name of the device
x	Returns the part number of the device
a	Returns the axis configuration of the device
p	Returns the FW configuration and revision of the device
m	Returns the sample rate of the device
f	Returns the LP filter -3dB frequency for each axis
d	Returns the datagram format
t	Returns the transmission parameters of the device
r	Returns the line termination (ON or OFF)
u	Returns the output units of the device
g	Returns the configuration of the gyro g-compensation
b	Returns the bias trim offsets
e	Prints the extended error information from the accumulated detected error(s) since last error read-out in Service Mode or by the E-command in Normal Mode (ref. section 8.5)

**Table 9-5: Error messages for i (INFORMATION) commands**

Error	Message	Possible reason
E001	UNKNOWN COMMAND	Command or parameter is not recognised
E002	INCORRECT NUMBER OF PARAMETERS	Too many or too few parameters, use of comma between command and first parameter
E003	INVALID PARAMETER	Value of parameter outside valid range

```

>i
SERIAL NUMBER = N25582146002002
PRODUCT = STIM318
PART NUMBER = 85020-440000-321 REV C
FW CONFIG = SWD12358 REV 1.2035
GYRO OUTPUT UNIT = [°/s] – ANGULAR RATE DELAYED
ACCELEROMETER OUTPUT UNIT = [g] – ACCELERATION
INCLINOMETER OUTPUT UNIT = [g] - ACCELERATION
SAMPLE RATE [samples/s] = 2000
GYRO CONFIG = XYZ
ACCELEROMETER CONFIG = XYZ
INCLINOMETER CONFIG = XYZ
GYRO RANGE:
X-AXIS: ± 400°/s
Y-AXIS: ± 400°/s
Z-AXIS: ± 400°/s
ACCELEROMETER RANGE:
X-AXIS: ± 10g
Y-AXIS: ± 10g
Z-AXIS: ± 10g
INCLINOMETER RANGE:
X-AXIS: ± 1.7g
Y-AXIS: ± 1.7g
Z-AXIS: ± 1.7g
GYRO LP FILTER -3dB FREQUENCY, X-AXIS [Hz] = 262
GYRO LP FILTER -3dB FREQUENCY, Y-AXIS [Hz] = 262
GYRO LP FILTER -3dB FREQUENCY, Z-AXIS [Hz] = 262
ACCELEROMETER LP FILTER -3dB FREQUENCY, X-AXIS [Hz] = 262
ACCELEROMETER LP FILTER -3dB FREQUENCY, Y-AXIS [Hz] = 262
ACCELEROMETER LP FILTER -3dB FREQUENCY, Z-AXIS [Hz] = 262
INCLINOMETER LP FILTER -3dB FREQUENCY, X-AXIS [Hz] = 262

```

```

INCLINOMETER LP FILTER -3dB FREQUENCY, Y-AXIS [Hz] = 262
INCLINOMETER LP FILTER -3dB FREQUENCY, Z-AXIS [Hz] = 262
GYRO G-COMPENSATION:
  BIAS SOURCE, X-AXIS = OFF
  BIAS G-COMP LP-FILTER, X-AXIS = NA
  SCALE SOURCE, X-AXIS = ACC
  SCALE G-COMP LP-FILTER, X-AXIS = OFF
  BIAS SOURCE, Y-AXIS = OFF
  BIAS G-COMP LP-FILTER, Y-AXIS = NA
  SCALE SOURCE, Y-AXIS = ACC
  SCALE G-COMP LP-FILTER, Y-AXIS = OFF
  BIAS SOURCE, Z-AXIS = OFF
  BIAS G-COMP LP-FILTER, Z-AXIS = NA
  SCALE SOURCE, Z-AXIS = ACC
  SCALE G-COMP LP-FILTER, Z-AXIS = OFF
  G-COMP LP-FILTER CUTOFF = 0.010 HZ
BIAS TRIM OFFSET:
  GYRO X-AXIS [°/s ] = 0.02343
  GYRO Y-AXIS [°/s ] = -0.01222
  GYRO Z-AXIS [°/s ] = 0.00111
  ACCELEROMETER X-AXIS [g ] = -0.004256
  ACCELEROMETER Y-AXIS [g ] = -0.013777
  ACCELEROMETER Z-AXIS [g ] = 0.000111
  INCLINOMETER X-AXIS [g ] = 0.0034256
  INCLINOMETER Y-AXIS [g ] = 0.0127598
  INCLINOMETER Z-AXIS [g ] = - 0.0005309
  REFERENCE INFO = 43639
DATAGRAM = RATE, ACCELERATION, INCLINATION
DATAGRAM TERMINATION = NONE
BIT-RATE [bits/s] = 921600
DATA LENGTH = 8
STOP BITS = 1
PARITY = NONE
LINE TERMINATION = ON
>

```

**Figure 9-1: Example of response from i (INFORMATION) command**

```

>i s
SERIAL NUMBER = N25582146002002
>

```

**Figure 9-2: Example of response from i s (INFORMATION on SERIAL NUMBER) command**

```

>i n
PRODUCT = STIM318
>

```

**Figure 9-3: Example of response from i n (INFORMATION on PRODUCT NAME) command**

```

>i x
PART NUMBER = 85020-440000-321 REV C
>

```

**Figure 9-4: Example of response from i x (INFORMATION on PART NUMBER) command**



```
>i a
GYRO CONFIG = XYZ
ACCELEROMETER CONFIG = XYZ
INCLINOMETER CONFIG = XYZ
GYRO RANGE:
X-AXIS: ± 400°/s
Y-AXIS: ± 400°/s
Z-AXIS: ± 400°/s
ACCELEROMETER RANGE:
X-AXIS: ± 10g
Y-AXIS: ± 10g
Z-AXIS: ± 10g
INCLINOMETER RANGE:
X-AXIS: ± 1.7g
Y-AXIS: ± 1.7g
Z-AXIS: ± 1.7g
>
```

**Figure 9-5: Example of response from i a (INFORMATION on AXIS CONFIGURATION) command**

```
>i p
FW CONFIG = SWD12358 REV 1.2035
>
```

**Figure 9-6: Example of response from i p (INFORMATION on FW CONFIGURATION) command**

```
>i m
SAMPLE RATE [samples/s] = 2000
>
```

**Figure 9-7: Example of response from i m (INFORMATION on SAMPLE RATE) command**

```
>i f
GYRO LP FILTER -3dB FREQUENCY, X-AXIS [Hz] = 262
GYRO LP FILTER -3dB FREQUENCY, Y-AXIS [Hz] = 262
GYRO LP FILTER -3dB FREQUENCY, Z-AXIS [Hz] = 262
ACCELEROMETER LP FILTER -3dB FREQUENCY, X-AXIS [Hz] = 262
ACCELEROMETER LP FILTER -3dB FREQUENCY, Y-AXIS [Hz] = 262
ACCELEROMETER LP FILTER -3dB FREQUENCY, Z-AXIS [Hz] = 262
INCLINOMETER LP FILTER -3dB FREQUENCY, X-AXIS [Hz] = 262
INCLINOMETER LP FILTER -3dB FREQUENCY, Y-AXIS [Hz] = 262
INCLINOMETER LP FILTER -3dB FREQUENCY, Z-AXIS [Hz] = 262
>
```

**Figure 9-8: Example of response from i f (INFORMATION on LP FILTER -3dB FREQUENCY) command**

```
>i d
DATAGRAM = RATE, ACCELERATION, INCLINATION
DATAGRAM TERMINATION = NONE
>
```

**Figure 9-9: Example of response from i d (INFORMATION on DATAGRAM TRANSMISSION MODE AND TERMINATION) command**

```
>i t
BIT-RATE [bits/s] = 921600
DATA LENGTH = 8
STOP BITS = 1
PARITY = NONE
>
```

**Figure 9-10: Example of response from i t (INFORMATION on TRANSMISSION PARAMETERS) command**

```
>i r
LINE TERMINATION = ON

>
```

**Figure 9-11: Example of response from i r (INFORMATION on LINE TERMINATION) command**

```
>i u
GYRO OUTPUT UNIT = [°/s] – ANGULAR RATE DELAYED
ACCELEROMETER OUTPUT UNIT = [g] – ACCELERATION
INCLINOMETER OUTPUT UNIT = [g] – ACCELERATION

>
```

**Figure 9-12: Example of response from i u (INFORMATION on OUTPUT UNIT) command**

```
>i g
GYRO G-COMPENSATION:
BIAS SOURCE, X-AXIS = OFF
BIAS G-COMP LP-FILTER, X-AXIS = NA
SCALE SOURCE, X-AXIS = ACC
SCALE G-COMP LP-FILTER, X-AXIS = OFF
BIAS SOURCE, Y-AXIS = OFF
BIAS G-COMP LP-FILTER, Y-AXIS = NA
SCALE SOURCE, Y-AXIS = ACC
SCALE G-COMP LP-FILTER, Y-AXIS = OFF
BIAS SOURCE, Z-AXIS = OFF
BIAS G-COMP LP-FILTER, Z-AXIS = NA
SCALE SOURCE, Z-AXIS = ACC
SCALE G-COMP LP-FILTER, Z-AXIS = OFF
G-COMP LP-FILTER CUTOFF = 0.010 HZ

>
```

**Figure 9-13: Example of response from i g (INFORMATION on GYRO G-COMP) command**

```
>i b
BIAS TRIM OFFSET:
GYRO X-AXIS [°/s] = 0.02343
GYRO Y-AXIS [°/s] = -0.01222
GYRO Z-AXIS [°/s] = 0.00111
ACCELEROMETER X-AXIS [g] = -0.004256
ACCELEROMETER Y-AXIS [g] = -0.013777
ACCELEROMETER Z-AXIS [g] = 0.000111
INCLINOMETER X-AXIS [g] = 0.0034256
INCLINOMETER Y-AXIS [g] = 0.0127598
INCLINOMETER Z-AXIS [g] = -0.0005309
REFERENCE INFO = 43639

>
```

**Figure 9-14: Example of response from i b (INFORMATION on BIAS TRIM OFFSET) command**

```
>i e
GYRO Z-AXIS NO CLIPPING DETECTED = FAIL

LAST ERROR HISTORY IS NOW CLEARED

>
```

**Figure 9-15: Example of response from i e (INFORMATION on ACCUMULATED LAST ERRORS) command**

```
>i e  
NO ERRORS DETECTED  
  
>
```

**Figure 9-16: Example of response from i e (INFORMATION on ACCUMULATED LAST ERRORS) command**

## 9.2 a (SINGLE-SHOT MEASUREMENT) command

General description: Displays the result of latest measurement (measurement process running constantly in the background).

NB: SINGLE-SHOT MEASUREMENT-command is not available if SAMPLE RATE is set to External Trigger.

**Table 9-6: Available a (SINGLE-SHOT MEASUREMENT) command**

Syntax	Response
a<CR>	Displays the result of the latest measurement <u>s</u> ample

**Table 9-7: Error messages for a (SINGLE-SHOT MEASUREMENT) command**

Error	Message	Possible reason
E001	UNKNOWN COMMAND	Command is incorrectly entered
E002	INCORRECT NUMBER OF PARAMETERS	Any characters between command and <CR>

```

>a
GYRO X-AXIS = 1.43253 °/s
GYRO Y-AXIS = 2.34525 °/s
GYRO Z-AXIS = 243.33628 °/s
GYRO STATUS = 00000000 = OK

ACCELEROMETER X-AXIS = 0.042113 g
ACCELEROMETER Y-AXIS = 0.000342 g
ACCELEROMETER Z-AXIS = 0.929376 g
ACCELEROMETER STATUS = 00000000 = OK

INCLINOMETER X-AXIS = 0.0426473 g
INCLINOMETER Y-AXIS = 0.0003832 g
INCLINOMETER Z-AXIS = 0.9246325 g
INCLINOMETER STATUS = 00000000 = OK

TEMPERATURE GYRO X-AXIS = 32.326 °C
TEMPERATURE GYRO Y-AXIS = 32.467 °C
TEMPERATURE GYRO Z-AXIS = 32.265 °C
TEMPERATURE STATUS = 00000000 = OK

TEMPERATURE ACC X-AXIS = 32.846 °C
TEMPERATURE ACC Y-AXIS = 32.477 °C
TEMPERATURE ACC Z-AXIS = 32.965 °C
TEMPERATURE STATUS = 00000000 = OK

TEMPERATURE INC X-AXIS = 32.326 °C
TEMPERATURE INC Y-AXIS = 32.123 °C
TEMPERATURE INC Z-AXIS = 32.326 °C
TEMPERATURE STATUS = 00000000 = OK

COUNTER = 10
LATENCY = 516 us

>

```

**Figure 9-17: Example of response from a (SINGLE-SHOT MEASUREMENT) command**

```
>a
GYRO X-AXIS = 0.00071 °/s
GYRO Y-AXIS = 0.12324 °/s
GYRO Z-AXIS = 480.00000 °/s
GYRO STATUS = 00010100 = NOT OK
  BIT 4: OVERLOAD
  BIT 2: ERROR IN Z-CHANNEL

ACCELEROMETER X-AXIS = 0.042113 g
ACCELEROMETER Y-AXIS = 0.000342 g
ACCELEROMETER Z-AXIS = 0.929376 g
ACCELEROMETER STATUS = 00000000 = OK

INCLINOMETER X-AXIS = 0.0426473 g
INCLINOMETER Y-AXIS = 0.0003832 g
INCLINOMETER Z-AXIS = 0.9246325 g
INCLINOMETER STATUS = 00000000 = OK

TEMPERATURE GYRO X-AXIS = 32.326 °C
TEMPERATURE GYRO Y-AXIS = 32.467 °C
TEMPERATURE GYRO Z-AXIS = 32.265 °C
TEMPERATURE STATUS = 00000000 = OK

TEMPERATURE ACC X-AXIS = 32.846 °C
TEMPERATURE ACC Y-AXIS = 32.477 °C
TEMPERATURE ACC Z-AXIS = 32.965 °C
TEMPERATURE STATUS = 00000000 = OK

TEMPERATURE INC X-AXIS = 32.326 °C
TEMPERATURE INC Y-AXIS = 32.123 °C
TEMPERATURE INC Z-AXIS = 32.326 °C
TEMPERATURE STATUS = 00000000 = OK

COUNTER = 10
LATENCY = 516 us

>
```

**Figure 9-18: Example of response from a (SINGLE-SHOT MEASUREMENT) command with error flagging**

### 9.3 c (DIAGNOSTIC) command

General description: Performs a diagnostic of the unit.

**Table 9-8: Available c (DIAGNOSTIC) command**

Syntax	Response
c<CR>	Performs a diagnostic check

**Table 9-9: Error messages for c (DIAGNOSTIC) command**

Error	Message	Possible reason
E001	UNKNOWN COMMAND	Command is incorrectly entered
E002	INCORRECT NUMBER OF PARAMETERS	Any characters between command and <CR>

```

SERIAL NUMBER = N25582146002002
PRODUCT = STIM318
PART NUMBER = 85020-440000-321 REV C
HW CONFIG = M5748 REV 3
FW CONFIG = SWD12358 REV 1.2035
SYSTEM STATUS:
  RAM CHECK = OK
  FLASH CHECK = OK
  STACK STATUS MONITOR = OK
  STACK COMMAND HANDLER = OK
  STACK SAMPLE = OK
  STACK FLASH = OK
  STACK TRANSMIT = OK
  MICRO CONTROLLER TEMPERATURE = OK
  START-UP PHASE = NOT ACTIVE
  SELF-TEST RUNNING = OK
  UART = OK
VOLTAGES AND REFERENCES:
  REFERENCE VOLTAGE_1 = FAIL
  REFERENCE VOLTAGE_2 = OK
  REFERENCE VOLTAGE_3 = OK
  REFERENCE VOLTAGE_4 = OK
  REGULATED VOLTAGE_1 = OK
  REGULATED VOLTAGE_2 = OK
  REGULATED VOLTAGE_3 = OK
  SUPPLY VOLTAGE 5.0V = OK
  INTERNAL DAC = OK
GYRO X-AXIS:
  GYRO X-AXIS DATA RECEIVED = OK
  GYRO X-AXIS EXCITATION FREQUENCY = OK
  GYRO X-AXIS ASIC TEMPERATURE = OK
  GYRO X-AXIS TEMPERATURE = OK
  GYRO X-AXIS NO CLIPPING DETECTED = OK
  GYRO X-AXIS NO OVERLOAD DETECTED = OK
  GYRO X-AXIS INTERNAL COMMUNICATION = OK
  GYRO X-AXIS NO ASIC OVERFLOW DETECTED = OK
  GYRO X-AXIS EXCITATION AMPLITUDE = OK
  GYRO X-AXIS CONFIGURATION = OK
GYRO Y-AXIS:
  GYRO Y-AXIS DATA RECEIVED = OK
  GYRO Y-AXIS EXCITATION FREQUENCY = OK
  GYRO Y-AXIS ASIC TEMPERATURE = OK
  GYRO Y-AXIS TEMPERATURE = OK
  GYRO Y-AXIS NO CLIPPING DETECTED = OK
  GYRO Y-AXIS NO OVERLOAD DETECTED = OK
  GYRO Y-AXIS INTERNAL COMMUNICATION = OK
  GYRO Y-AXIS NO ASIC OVERFLOW DETECTED = OK
  GYRO Y-AXIS EXCITATION AMPLITUDE = OK
  GYRO Y-AXIS CONFIGURATION = OK
GYRO Z-AXIS:
  GYRO Z-AXIS DATA RECEIVED = OK
  GYRO Z-AXIS EXCITATION FREQUENCY = OK
  GYRO Z-AXIS ASIC TEMPERATURE = OK
  GYRO Z-AXIS TEMPERATURE = OK
  GYRO Z-AXIS NO CLIPPING DETECTED = OK
  GYRO Z-AXIS NO OVERLOAD DETECTED = OK
  GYRO Z-AXIS INTERNAL COMMUNICATION = OK
  GYRO Z-AXIS NO ASIC OVERFLOW DETECTED = OK
  GYRO Z-AXIS EXCITATION AMPLITUDE = OK
  GYRO Z-AXIS CONFIGURATION = OK
ACCELEROMETER X-AXIS:

```

```
ACCELEROMETER X-AXIS NO CLIPPING DETECTED = OK
ACCELEROMETER X-AXIS NO OVERLOAD DETECTED = OK
ACCELEROMETER X-AXIS TEMPERATURE = OK
ACCELEROMETER X-AXIS ADC = OK
ACCELEROMETER Y-AXIS:
ACCELEROMETER Y-AXIS NO CLIPPING DETECTED = OK
ACCELEROMETER Y-AXIS NO OVERLOAD DETECTED = OK
ACCELEROMETER Y-AXIS TEMPERATURE = OK
ACCELEROMETER Y-AXIS ADC = OK
ACCELEROMETER Z-AXIS:
ACCELEROMETER Z-AXIS NO CLIPPING DETECTED = OK
ACCELEROMETER Z-AXIS NO OVERLOAD DETECTED = OK
ACCELEROMETER Z-AXIS TEMPERATURE = OK
ACCELEROMETER Z-AXIS ADC = OK
INCLINOMETER X-AXIS:
INCLINOMETER X-AXIS NO CLIPPING DETECTED = OK
INCLINOMETER X-AXIS NO OVERLOAD DETECTED = OK
INCLINOMETER X-AXIS TEMPERATURE = OK
INCLINOMETER X-AXIS ADC = OK
INCLINOMETER Y-AXIS:
INCLINOMETER Y-AXIS NO CLIPPING DETECTED = OK
INCLINOMETER Y-AXIS NO OVERLOAD DETECTED = OK
INCLINOMETER Y-AXIS TEMPERATURE = OK
INCLINOMETER Y-AXIS ADC = OK
INCLINOMETER Z-AXIS:
INCLINOMETER Z-AXIS NO CLIPPING DETECTED = OK
INCLINOMETER Z-AXIS NO OVERLOAD DETECTED = OK
INCLINOMETER Z-AXIS TEMPERATURE = OK
INCLINOMETER Z-AXIS ADC = OK
```

>

**Figure 9-19: Example of response from c (DIAGNOSTIC) command**

## 9.4 d (DATAGRAM FORMAT) command

General description: Sets the datagram transmission mode and termination (ref. Table 5-10 and section 12).

Note that the datagram format could be considered invalid, even if it has been entered correctly. This is because a valid datagram format also depends on the chosen sample rate and bit rate (ref. Table 5-11 and error message E007 in Table 9-13).

Note that this change will only be effective until STIM318 is initialized, reset or powered off, unless the new setting has been stored in flash using the SAVE-command (ref. section 9.10). In order to use or test a new setting in Normal Mode without permanently storing it, this can be achieved by using the EXIT n-command (ref. section 9.13).

**Table 9-10 : Available d (DATAGRAM FORMAT) command**

Syntax	Response
d<SP><type>', '<term><CR>	Changes the datagram transmission mode and termination in Normal Mode

**Table 9-11 : Allowed values for <type> parameter of d (DATAGRAM TRANSMISSION MODE AND TERMINATION) command**

<type>	Datagram content
0	ID, rate, counter, latency, CRC
1	ID, rate, acceleration, counter, latency, CRC
2	ID, rate, inclination, counter, latency, CRC
3	ID, rate, acceleration, inclination, counter, latency, CRC
4	ID, rate, temperature, counter, latency, CRC
5	ID, rate, acceleration, temperature, counter, latency, CRC
6	ID, rate, inclination, temperature, counter, latency, CRC
7	ID, rate, acceleration, inclination, temperature, counter, latency, CRC

**Table 9-12 : Allowed values for <term> parameter of d (DATAGRAM TRANSMISSION MODE AND TERMINATION) command**

<term>	Result
0	Changes the datagram termination to no termination
1	Changes the datagram termination to <CR><LF>

**Table 9-13: Error messages for d (DATAGRAM TRANSMISSION MODE AND TERMINATION) command**

Error	Message	Possible reason
E001	UNKNOWN COMMAND	Command is incorrectly entered
E002	INCORRECT NUMBER OF PARAMETERS	Too many or too few parameters, use of comma between command and first parameter
E003	INVALID PARAMETER	Value of parameter outside valid range
E007	DATAGRAM WILL BE TOO LONG TO TRANSMIT	Combination of bit-rate, sample rate and datagram content results in a datagram that cannot be transmitted

```
>d 4,0
DATAGRAM = RATE, TEMPERATURE
DATAGRAM TERMINATION = NONE
>
```

**Figure 9-20: Example of response from d (DATAGRAM MODE AND TERMINATION) command**

```
>d 3,1
DATAGRAM = RATE, ACCELERATION, INCLINATION
DATAGRAM TERMINATION = <CR><LF>
>
```

**Figure 9-21: Example of response from d (DATATGRAM MODE AND TERMINATION) command**



## 9.5 t (TRANSMISSION PARAMETERS) command

General description: Changes the transmission parameters for the RS422 interface.

Note that the bit-rate could be considered invalid, even if it has been entered correctly. This is because a valid bit-rate also depends on the sample rate and chosen datagram content (ref. Table 5-11 and error message E007 in Table 9-18).

Note that this change will only be effective until STIM318 is initialized, reset or powered off, unless the new setting has been stored in flash using the SAVE-command (ref. section 9.10). If confirmation to the SAVE-command is not "Y", the transmission parameters will be reset to the previously stored settings. In order to use or test a new setting in Normal Mode without permanently storing it, this can be achieved by using the EXIT n-command (ref. section 9.13).

Note that USB-based evaluation kit works at bit-rates  $\leq 1.5\text{Mbit/s}$  and at bit-rate =  $2\text{Mbit/s}$  and  $3\text{Mbit/s}$ .

**Table 9-14 : Available t (TRANSMISSION PARAMETERS) commands**

Syntax	Response
t<SP><bit-rate code><CR>	Changes the transmission bit-rate and leaves number of stop-bits and parity unchanged
t<SP><bit-rate code>','<stop-bits>','<parity><CR>	Changes the transmission bit-rate, number of stop-bits and parity
t<SP>'f','<bit-rate><CR>	Changes the transmission bit-rate to a user-defined bit-rate and leaves number of stop-bits and parity unchanged, ref. section 9.5.1
t<SP>'f','<bit-rate>','<stop-bits>','<parity><CR>	Changes the transmission bit-rate to a user-defined bit-rate, number of stop-bits and parity, ref. section 9.5.1

**Table 9-15: Allowed values for <bit-rate code> parameter for t (TRANSMISSION PARAMETERS) commands**

<bit-rate code>	Result
0	Will set the bit-rate to 374400 bits/s
1	Will set the bit-rate to 460800 bits/s
2	Will set the bit-rate to 921600 bits/s
3	Will set the bit-rate to 1843200 bits/s

**Table 9-16: Allowed values for <stop-bits> parameter for t (TRANSMISSION PARAMETERS) commands**

<stop-bits>	Result
1	Will set number of stop bits to 1
2	Will set number of stop bits to 2

**Table 9-17: Allowed values for <parity> parameter for t (TRANSMISSION PARAMETERS) commands**

<parity>	Result
0	Will set no parity
1	Will set odd parity
2	Will set even parity

### 9.5.1 User-defined bit-rate

The STIM318 hardware is capable of setting bit-rates in the range between 1500 and 5184000 bits/s. However, the sample rate and the datagram length decide the minimum bit-rate possible, ref. Equation 10:

#### Equation 10: Minimum bit-rate

$$Bit-rate_{MIN} = 1.1 \cdot bits \cdot bytes \cdot sample\_rate$$

where bits = start-bit (1) + data-bits (8) + stop-bits (1 or 2) + parity-bit (0 or 1)  
bytes = number of bytes in the chosen datagram, ref. Table 5-18 and Table 5-11 (NB: number of bytes in Table 5-11 excludes <CR><LF>. If <CR><LF> termination has been chosen, ref. section 9.4 DATAGRAM FORMAT-command, the 2 additional bytes must be added)  
sample\_rate is the chosen sample rate [samples/s]

If a bit-rate, lower than the allowed bit-rate defined by Equation 10, is entered, the command will respond with error message E007, ref. Table 9-18.

There are a finite number of bit-rates possible to set. This is defined in Equation 11:

**Equation 11: Set bit-rate**

$$Bit - rate_{SET} = \frac{82944000}{n} \text{ bits / s}$$

where n is an integer

The actually set bit-rate will hence be the closest to requested bit-rate. The response of the t (TRANSMISSION PARAMETERS)-command will be the set bit-rate. Be aware that for certain bit-rates above 1.5Mbit/s, the deviation between the requested bit-rate and set bit-rate could be larger than 1% and may be in conflict with the RS422 specification. No warnings are issued related to this issue. As a safety precaution, the new bit-rate can only be permanently set by using the s (SAVE)-command (using the new bit-rate).

**Table 9-18: Error messages for t (TRANSMISSION PARAMETERS) commands**

Error	Message	Possible reason
E001	UNKNOWN COMMAND	Command is incorrectly entered
E002	INCORRECT NUMBER OF PARAMETERS	Too many or too few parameters, use of comma between command and first parameter
E003	INVALID PARAMETER	Value of parameter outside valid range
E007	DATAGRAM WILL BE TOO LONG TO TRANSMIT	Combination of bit-rate, sample rate and datagram content results in a datagram that cannot be transmitted

```
>t 2,1,2
BIT-RATE [bits/s] = 921600
DATA LENGTH = 8
STOP BITS = 1
PARITY = EVEN
>
```

**Figure 9-22: Example of response from t (TRANSMISSION PARAMETERS) command to set standard bit-rate**

```
>t f,500000
BIT-RATE [bits/s] = 500023
DATA LENGTH = 8
STOP BITS = 1
PARITY = EVEN
>
```

**Figure 9-23: Example of response from t (TRANSMISSION PARAMETERS) command to set user-defined bit-rate**

## 9.6 r (LINE TERMINATION) command

General description: Turns the line termination ON or OFF. Line termination should be ON when communicating point-point (single master – single slave).

Note that this change will only be effective until STIM318 is initialized, reset or powered off, unless the new setting has been stored in flash using the SAVE-command (ref. section 9.10). In order to use or test a new setting in Normal Mode without permanently storing it, this can be achieved by using the EXIT n-command (ref. section 9.13).

**Table 9-19: Available r (LINE TERMINATION) command**

Syntax	Response
r<SP><lineterm><CR>	Changes the line termination

**Table 9-20: Allowed values for r (LINE TERMINATION) command**

<lineterm>	Result
0	Turns line termination OFF
1	Turns line termination ON

**Table 9-21: Error messages for r (LINE TERMINATION) command**

Error	Message	Possible reason
E001	UNKNOWN COMMAND	Command is incorrectly entered
E002	INCORRECT NUMBER OF PARAMETERS	Too many or too few parameters, use of comma between command and first parameter
E003	INVALID PARAMETER	Value of parameter outside valid range

```
>r 0  
LINE TERMINATION = OFF  
  
>
```

**Figure 9-24: Example of response from r 0 (LINE TERMINATION) command**

```
>r 1  
LINE TERMINATION = ON  
  
>
```

**Figure 9-25: Example of response from r 1 (LINE TERMINATION) command**

## 9.7 u (OUTPUT UNIT) command

General description: Sets the output unit of the transmission in Normal Mode.

Note that this change will only be effective until STIM318 is initialized, reset or powered off, unless the new setting has been stored in flash using the SAVE-command (ref. section 9.10). In order to use or test a new setting in Normal Mode without permanently storing it, this can be achieved by using the EXIT n-command (ref. section 9.13).

**Table 9-22: Available u (OUTPUT UNIT) command**

Syntax	Response
u<SP>'<sens>','<unit><CR>	Changes the unit of the transmission in Normal Mode

**Table 9-23: Allowed values for <sens> and <unit> for u (OUTPUT UNIT) command**

<sens>	<unit>	Result
g	0	Changes the gyro output unit to angular rate [°/s]
g	1	Changes the gyro output unit to incremental angle [°/sample]
g	2	Changes the gyro output unit to average angular rate [°/s]
g	3	Changes the gyro output unit to integrated angle [°]
g	8	Changes the gyro output unit to angular rate – delayed [°/s]
g	9	Changes the gyro output unit to incremental angle – delayed [°/sample]
g	a	Changes the gyro output unit to average angular rate – delayed [°/s]
g	b	Changes the gyro output unit to integrated angle – delayed [°]
a	0	Changes the accelerometer output unit to acceleration [g]
a	1	Changes the accelerometer output unit to incremental velocity [m/s/sample]
a	2	Changes the accelerometer output unit to average acceleration [g]
a	3	Changes the accelerometer output unit to integrated velocity [gs]
i	0	Changes the inclinometer output unit to acceleration [g]
i	1	Changes the inclinometer output unit to incremental velocity [m/s/sample]
i	2	Changes the inclinometer output unit to average acceleration [g]
i	3	Changes the inclinometer output unit to integrated velocity [gs]

**Table 9-24: Error messages for u (OUTPUT UNIT) command**

Error	Message	Possible reason
E001	UNKNOWN COMMAND	Command is incorrectly entered
E002	INCORRECT NUMBER OF PARAMETERS	Too many or too few parameters, use of comma between command and first parameter
E003	INVALID PARAMETER	Value of parameter outside valid range

```
>u g,0
GYRO OUTPUT UNIT = [°/s] – ANGULAR RATE
>
```

**Figure 9-26: Example of response from u (OUTPUT UNIT) command**

```
>u a,2
ACCELEROMETER OUTPUT UNIT = [g] – AVERAGE ACCELERATION
>
```

**Figure 9-27: Example of response from u (OUTPUT UNIT) command**

## 9.8 f (LP FILTER -3dB FREQUENCY) command

General description: Changes the low-pass filter -3dB frequency for one or all axes.

Note that low pass filter settings should be considered together with sample rate in order to avoid issues with folding due to undersampling. No warnings will be issued by STIM318 if e.g. a high filter bandwidth and a low sample rate have been chosen. For more details, see Application Note TS1670: "Considerations related to sampling rate and filter settings".

Note that change in filter setting will change the group delay, ref. Table 5-10.

Note that this change will only be effective until STIM318 is initialized, reset or powered off, unless the new setting has been stored in flash using the SAVE-command (ref. section 9.10). In order to use or test a new setting in Normal Mode without permanently storing it, this can be achieved by using the EXIT n-command (ref. section 9.13).

**Table 9-25: Available f (LP FILTER -3dB FREQUENCY) commands**

Syntax	Response
f<SP><-3dBfreq><CR>	Changes the LP filter -3dB frequency for all sensors and axes
f<SP><-3dBfreq>','<sens><CR>	Changes the LP filter -3dB frequency for all axes of a specific sensor
f<SP><-3dBfreq>','<sens>','<axis><CR>	Changes the LP filter -3dB frequency for a specified sensor and axis

**Table 9-26: Allowed values for <-3dBfreq> parameter for f (LP FILTER -3dB FREQUENCY) commands**

<-3dBfreq>	Result
0	Will change LP filter -3dB frequency to 16Hz
1	Will change LP filter -3dB frequency to 33Hz
2	Will change LP filter -3dB frequency to 66Hz
3	Will change LP filter -3dB frequency to 131Hz
4	Will change LP filter -3dB frequency to 262Hz

**Table 9-27: Allowed values for <sens> parameter for f (LP FILTER -3dB FREQUENCY) commands**

<sens>	Result
g	Will change LP filter -3dB frequency for the gyro(s)
a	Will change LP filter -3dB frequency for the accelerometer(s)
i	Will change LP filter -3dB frequency for the inclinometer(s)

**Table 9-28: Allowed values for <axis> parameter for f (LP FILTER -3dB FREQUENCY) commands**

<axis>	Result
x	Will change LP filter -3dB frequency for X-axis only
y	Will change LP filter -3dB frequency for Y-axis only
z	Will change LP filter -3dB frequency for Z-axis only

**Table 9-29: Error messages for f (LP FILTER -3dB FREQUENCY) commands**

Error	Message	Possible reason
E001	UNKNOWN COMMAND	Command is incorrectly entered
E002	INCORRECT NUMBER OF PARAMETERS	Too many or too few parameters, use of comma between command and first parameter
E003	INVALID PARAMETER	Value of parameter outside valid range

```
>f 2,a,x
ACCELEROMETER LP FILTER -3dB FREQUENCY, X-AXIS [Hz] = 66
>
```

**Figure 9-28: Example of response from f (LP FILTER -3dB FREQUENCY) command**

```
>f 3
GYRO LP FILTER -3dB FREQUENCY, X-AXIS [Hz] = 131
GYRO LP FILTER -3dB FREQUENCY, Y-AXIS [Hz] = 131
GYRO LP FILTER -3dB FREQUENCY, Z-AXIS [Hz] = 131
ACCELEROMETER LP FILTER -3dB FREQUENCY, X-AXIS [Hz] = 131
ACCELEROMETER LP FILTER -3dB FREQUENCY, Y-AXIS [Hz] = 131
ACCELEROMETER LP FILTER -3dB FREQUENCY, Z-AXIS [Hz] = 131
INCLINOMETER LP FILTER -3dB FREQUENCY, X-AXIS [Hz] = 131
INCLINOMETER LP FILTER -3dB FREQUENCY, Y-AXIS [Hz] = 131
INCLINOMETER LP FILTER -3dB FREQUENCY, Z-AXIS [Hz] = 131
>
```

**Figure 9-29: Example of response from f (LP FILTER -3dB FREQUENCY) command**

```
>f 1,g
GYRO LP FILTER -3dB FREQUENCY, X-AXIS [Hz] = 33
GYRO LP FILTER -3dB FREQUENCY, Y-AXIS [Hz] = 33
GYRO LP FILTER -3dB FREQUENCY, Z-AXIS [Hz] = 33
>
```

**Figure 9-30: Example of response from f (LP FILTER -3dB FREQUENCY) command**

```
>f 0,i
INCLINOMETER LP FILTER -3dB FREQUENCY [Hz] = 16
>
```

**Figure 9-31: Example of response from f (LP FILTER -3dB FREQUENCY) command**

## 9.9 m (SAMPLE RATE) command

General description: Changes the sample rate in Normal Mode. The sample rate is the same for all channels.

Note that the sample rate could be considered invalid, even if it has been entered correctly. This is because a valid sample rate also depends on the bit rate and chosen datagram content (ref. Table 5-11 and error message E007 in Table 9-32). For more details, see Application Note TS1670: “Considerations related to sampling rate and filter settings”.

Note that sample rate should be considered together with filter settings in order to avoid issues with folding due to undersampling. No warnings will be issued by STIM318 if e.g. a high filter bandwidth and a low sample rate have been chosen.

Note that this change will only be effective until STIM318 is initialized, reset or powered off, unless the new setting has been stored in flash using the SAVE-command (ref. section 9.10). In order to use or test a new setting in Normal Mode without permanently storing it, this can be achieved by using the EXIT n-command (ref. section 9.13).

**Table 9-30: Available m (SAMPLE RATE) command**

Syntax	Response
m<SP><sampl.rate><CR>	Changes the sample rate in Normal Mode

**Table 9-31: Allowed values for <sampl.rate> parameter for m (SAMPLE RATE) command**

<sampl.rate>	Result
0	Will set sample rate to 125 samples /second
1	Will set sample rate to 250 samples /second
2	Will set sample rate to 500 samples /second
3	Will set sample rate to 1000 samples /second
4	Will set sample rate to 2000 samples /second
5	Will set sample to External Trigger

**Table 9-32: Error messages for m (SAMPLE RATE) command**

Error	Message	Possible reason
E001	UNKNOWN COMMAND	Command is incorrectly entered
E002	INCORRECT NUMBER OF PARAMETERS	Too many or too few parameters, use of comma between command and first parameter
E003	INVALID PARAMETER	Value of parameter outside valid range
E007	DATAGRAM WILL BE TOO LONG TO TRANSMIT	Combination of bit-rate, sample rate and datagram content results in a datagram that cannot be transmitted

```
>m 2
SAMPLE RATE [samples/s] = 500
>
```

**Figure 9-32: Example of response from m (SAMPLE RATE) command**

```
>m 5
SAMPLE RATE = EXTERNAL TRIGGER
>
```

**Figure 9-33: Example of response from m (SAMPLE RATE) command**

## 9.10 g (GYRO G-COMP) command

General description: Changes the compensation parameters for the gyro g-compensation of bias and/or scale-factor. Refer to section 7.4.2.2.6 for a description of this functionality.

**Table 9-33: Available g (GYRO G-COMP) commands**

Syntax	Response
<b>g&lt;SP&gt;&lt;StdComp&gt;&lt;CR&gt;</b>	Changes the gyro g-compensation to one of the defined standard configurations. The cut-off frequency of the g-compensation LP-filter will be set to 0.01Hz. Gyro g-compensation will be applied to all axes.
<b>g&lt;SP&gt;&lt;StdComp&gt;','&lt;FilterCutoff&gt;&lt;CR&gt;</b>	Changes the gyro g-compensation to one of the defined standard configurations, but sets the g-compensation LP-filter to a non-standard cut-off frequency. Gyro g-compensation will be applied to all axes.
<b>g&lt;SP&gt;&lt;BiasSource&gt;','&lt;BiasFilter&gt;','&lt;ScaleSource&gt;','&lt;ScaleFilter&gt;&lt;CR&gt;</b>	Changes the gyro g-compensation to a user-defined gyro g-compensation configuration, but leaves the g-compensation LP-filter unchanged. Gyro g-compensation will be applied to all axes.
<b>g&lt;SP&gt;&lt;BiasSource&gt;','&lt;BiasFilter&gt;','&lt;ScaleSource&gt;','&lt;ScaleFilter&gt;','&lt;FilterCutoff&gt;&lt;CR&gt;</b>	Changes the gyro g-compensation to a user-defined gyro g-compensation configuration, including the g-compensation LP-filter. Gyro g-compensation will be applied to all axes.
<b>g&lt;SP&gt;&lt;Xonoff&gt;','&lt;Yonoff&gt;','&lt;Zonoff&gt;','&lt;BiasSource&gt;','&lt;BiasFilter&gt;','&lt;ScaleSource&gt;','&lt;ScaleFilter&gt;&lt;CR&gt;</b>	Changes the gyro g-compensation to a user-defined gyro g-compensation configuration, but leaves the g-compensation LP-filter unchanged. Gyro g-compensation will be applied to specific axes.
<b>g&lt;SP&gt;&lt;Xonoff&gt;','&lt;Yonoff&gt;','&lt;Zonoff&gt;','&lt;BiasSource&gt;','&lt;BiasFilter&gt;','&lt;ScaleSource&gt;','&lt;ScaleFilter&gt;','&lt;FilterCutoff&gt;&lt;CR&gt;</b>	Changes the gyro g-compensation to a user-defined gyro g-compensation configuration, including the g-compensation LP-filter. Gyro g-compensation will be applied to specific axes.

**Table 9-34 : Allowed values for <StdComp> for g (GYRO G-COMP) command**

<StdComp>	Bias		Scale-factor	
	BiasSource	BiasFilter	ScaleSource	ScaleFilter
0	OFF	-	OFF	-
1 <sup>1)</sup>	OFF	-	ACC	OFF
2	OFF	-	ACC	ON
3 <sup>1)</sup>	ACC	OFF	OFF	-
4	ACC	ON	OFF	-
5 <sup>1)</sup>	INC	OFF	OFF	-
6	INC	ON	OFF	-
7 <sup>1)</sup>	ACC	OFF	ACC	OFF
8 <sup>1)</sup>	ACC	ON	ACC	OFF
9 <sup>1)</sup>	INC	OFF	ACC	OFF
a <sup>1)</sup>	INC	ON	ACC	OFF
b	ACC	ON	ACC	ON
c	INC	ON	INC	ON

<sup>1)</sup> A warning will be issued if gyro output unit has not been chosen as delayed (ref. section 7.4.2.2.1 and 9.7)

**Table 9-35 : Allowed range for <FilterCutoff> for g (GYRO G-COMP) command**

<FilterCutoff>	Unit	Minimum	Standard	Maximum
<FilterCutoff>	Hz	0.001	0.01	5.00

Decimal point = '.'. Format can be integer, scientific or decimal.



**Table 9-36 : Allowed values for <ScaleSource> and <BiasSource> for g (GYRO G-COMP) command**

<BiasSource> <ScaleSource>	Result
0	Gyro g-compensation turned OFF
1	Gyro g-compensation uses data from accelerometers
2	Gyro g-compensation uses data from inclinometers

**Table 9-37 : Allowed values for <ScaleFilter> and <BiasFilter> for g (GYRO G-COMP) command**

<BiasFilter> <ScaleFilter>	Result
0	Gyro g-compensation LP-filter not applied (OFF)
1	Gyro g-compensation LP-filter applied (ON)

**Table 9-38 : Allowed values for <Xonoff>, <Yonoff> and <Zonoff> for g (GYRO G-COMP) command**

<Xonoff> <Yonoff> <Zonoff>	Result
0	Gyro g-compensation is not applied to specific axis (OFF)
1	Gyro g-compensation is applied to specific axis (ACC or INC)

**Table 9-39: Error messages for g (GYRO G-COMP) command**

Error	Message	Possible reason
E001	UNKNOWN COMMAND	Command is incorrectly entered
E002	INCORRECT NUMBER OF PARAMETERS	Too many or too few parameters, use of comma between command and first parameter
E003	INVALID PARAMETER	Value of parameter outside valid range

```

>g 1
GYRO G-COMPENSATION:
BIAS SOURCE, X-AXIS = OFF
BIAS G-COMP LP-FILTER, X-AXIS = NA
SCALE SOURCE, X-AXIS = ACC
SCALE G-COMP LP-FILTER, X-AXIS = OFF
BIAS SOURCE, Y-AXIS = OFF
BIAS G-COMP LP-FILTER, Y-AXIS = NA
SCALE SOURCE, Y-AXIS = ACC
SCALE G-COMP LP-FILTER, Y-AXIS = OFF
BIAS SOURCE, Z-AXIS = OFF
BIAS G-COMP LP-FILTER, Z-AXIS = NA
SCALE SOURCE, Z-AXIS = ACC
SCALE G-COMP LP-FILTER, Z-AXIS = OFF
G-COMP LP-FILTER CUTOFF = 0.010 HZ
>
    
```

**Figure 9-34: Example of response from g (GYRO G-COMP) command**

```

>g 8,0,3
GYRO G-COMPENSATION: WARNING: DELAYED GYRO OUTPUT UNIT IS RECOMMENDED
BIAS SOURCE, X-AXIS = ACC
BIAS G-COMP LP-FILTER, X-AXIS = ON
SCALE SOURCE, X-AXIS = ACC
SCALE G-COMP LP-FILTER, X-AXIS = OFF
BIAS SOURCE, Y-AXIS = ACC
BIAS G-COMP LP-FILTER, Y-AXIS = ON
SCALE SOURCE, Y-AXIS = ACC
SCALE G-COMP LP-FILTER, Y-AXIS = OFF
BIAS SOURCE, Z-AXIS = ACC
BIAS G-COMP LP-FILTER, Z-AXIS = ON
SCALE SOURCE, Z-AXIS = ACC
SCALE G-COMP LP-FILTER, Z-AXIS = OFF
G-COMP LP-FILTER CUTOFF = 0.300 HZ
>

```

**Figure 9-35: Example of response from g (GYRO G-COMP) command with warning**

```

>g 2,1,1,0,0.5
GYRO G-COMPENSATION:
BIAS SOURCE, X-AXIS = INC
BIAS G-COMP LP-FILTER, X-AXIS = ON
SCALE SOURCE, X-AXIS = ACC
SCALE G-COMP LP-FILTER, X-AXIS = OFF
BIAS SOURCE, Y-AXIS = INC
BIAS G-COMP LP-FILTER, Y-AXIS = ON
SCALE SOURCE, Y-AXIS = ACC
SCALE G-COMP LP-FILTER, Y-AXIS = OFF
BIAS SOURCE, Z-AXIS = INC
BIAS G-COMP LP-FILTER, Z-AXIS = ON
SCALE SOURCE, Z-AXIS = ACC
SCALE G-COMP LP-FILTER, Z-AXIS = OFF
G-COMP LP-FILTER CUTOFF = 0.500 HZ
>

```

**Figure 9-36: Example of response from g (GYRO G-COMP) command**

```

>g 0,0,1,2,1,1,0
GYRO G-COMPENSATION:
BIAS SOURCE, X-AXIS = OFF
BIAS G-COMP LP-FILTER, X-AXIS = NA
SCALE SOURCE, X-AXIS = OFF
SCALE G-COMP LP-FILTER, X-AXIS = NA
BIAS SOURCE, Y-AXIS = OFF
BIAS G-COMP LP-FILTER, Y-AXIS = NA
SCALE SOURCE, Y-AXIS = OFF
SCALE G-COMP LP-FILTER, Y-AXIS = NA
BIAS SOURCE, Z-AXIS = INC
BIAS G-COMP LP-FILTER, Z-AXIS = ON
SCALE SOURCE, Z-AXIS = ACC
SCALE G-COMP LP-FILTER, Z-AXIS = OFF
G-COMP LP-FILTER CUTOFF = 0.500 HZ
>

```

**Figure 9-37: Example of response from g (GYRO G-COMP) command**

## 9.11 b (BIAS TRIM OFFSET) command

General description: Changes bias trim offsets.

Refer to section 7.4.2.3 for a description of this functionality.

**Table 9-40: Available b (BIAS TRIM OFFSET) commands**

Syntax	Response
<b>b&lt;SP&gt;&lt;BiasTrimOffset&gt;&lt;CR&gt;</b>	Sets the bias trim offsets for all sensors and axes. Command is useful when clearing all bias trim offsets
<b>b&lt;SP&gt;&lt;BiasTrimOffset&gt;','&lt;sens&gt;&lt;CR&gt;</b>	Sets the bias trim offsets for a specific sensor, all axes. Command is useful when clearing all bias trim offsets for a given sensor
<b>b&lt;SP&gt;&lt;DeltaBiasTrimOffset&gt;','&lt;sens&gt;','&lt;axis&gt;&lt;CR&gt;</b>	Adjusts the bias trim offsets for a specific sensor and axis. <DeltaBiasTrimOffset> is added to the current bias trim offset
<b>b&lt;SP&gt;&lt;RefInfo&gt;','r'&lt;CR&gt;</b>	Sets the Reference Information. <RefInfo> is a 32-bit unsigned integer that can be used to define a reference to the bias trim offsets, e.g. a date code

If the bias trim offsets are programmed outside the specified min or max limits, ref. Table 5-3, Table 5-5 and Table 5-8, the relevant bias trim offsets will be set to min or max, whichever is the closest to the requested value and flagged by error message E008, ref. Table 9-44.

**Table 9-41: Allowed values for <sens> parameter for b (BIAS TRIM OFFSET) commands**

<sens>	Result
<b>g</b>	Will change bias trim offset for the gyro(s)
<b>a</b>	Will change bias trim offset for the accelerometer(s)
<b>i</b>	Will change bias trim offset for the inclinometer(s)

**Table 9-42: Unit of <BiasTrimOffset> and <DeltaBiasTrimOffset> for the different values of <sens> for the b (BIAS TRIM OFFSET) commands**

<sens>	Unit of <BiasTrimOffset> and <DeltaBiasTrimOffset>
<b>g</b>	[°/s]
<b>a</b>	[g]
<b>i</b>	[g]

**Table 9-43: Allowed values for <axis> parameter for b (BIAS TRIM OFFSET) command**

<axis>	Result
<b>x</b>	Will change bias trim offset for X-axis only
<b>y</b>	Will change bias trim offset for Y-axis only
<b>z</b>	Will change bias trim offset for Z-axis only

**Table 9-44: Error messages for b (BIAS TRIM OFFSET) command**

Error	Message	Possible reason
E001	UNKNOWN COMMAND	Command is incorrectly entered
E002	INCORRECT NUMBER OF PARAMETERS	Too many or too few parameters, use of comma between command and first parameter
E003	INVALID PARAMETER	Value of parameter outside valid range
E008	BIAS TRIM OFFSET(S) SET TO MIN OR MAX	Requested change(s) reduced due to violation of min/max limits for bias trim offset(s)

```
>b 0
BIAS TRIM OFFSET:
GYRO X-AXIS [°/s ] = 0.00000
GYRO Y-AXIS [°/s ] = 0.00000
GYRO Z-AXIS [°/s ] = 0.00000
ACCELEROMETER X-AXIS [g ] = 0.000000
ACCELEROMETER Y-AXIS [g ] = 0.000000
ACCELEROMETER Z-AXIS [g ] = 0.000000
INCLINOMETER X-AXIS [g ] = 0.0000000
INCLINOMETER Y-AXIS [g ] = 0.0000000
INCLINOMETER Z-AXIS [g ] = 0.0000000
>
```

**Figure 9-38: Example of response from b (BIAS TRIM OFFSET) command**

```
>b 0,a
BIAS TRIM OFFSET:
ACCELEROMETER X-AXIS [g ] = 0.000000
ACCELEROMETER Y-AXIS [g ] = 0.000000
ACCELEROMETER Z-AXIS [g ] = 0.000000
>
```

**Figure 9-39: Example of response from b (BIAS TRIM OFFSET) command**

```
>b 0.001,g,x
BIAS TRIM OFFSET:
GYRO X-AXIS [°/s ] = 0.02443
>
```

**Figure 9-40: Example of response from b (BIAS TRIM OFFSET) command**

```
>b 2.3,i
BIAS TRIM OFFSET:
INCLINOMETER X-AXIS [g ] = 0.0200000
INCLINOMETER Y-AXIS [g ] = 0.0200000
INCLINOMETER Z-AXIS [g ] = 0.0200000

E008 BIAS TRIM OFFSET(S) SET TO MIN OR MAX
>
```

**Figure 9-41: Example of response from b (BIAS TRIM OFFSET) command**

```
>b 43639,r
BIAS TRIM OFFSET:
REFERENCE INFO = 43639
>
```

**Figure 9-42: Example of response from b (BIAS TRIM OFFSET) command**

## 9.12 s (SAVE) command

General description: Saves configuration parameters to flash. This will permanently change the configuration parameters and hence be valid after an initialization or power-off.

The flash used in STIM318 is specified to be capable of minimum 10,000 saves. A save-counter has been implemented and when the number of saves exceeds 10,000, there will be issued a warning. STIM318 will always attempt to save the configuration when receiving the s (SAVE) command regardless of the content of the save-counter.

**Table 9-45: Available s (SAVE) command**

Syntax	Response
s<CR>	Saves system parameters to flash. This command will require an additional confirmation prior to execution. Confirmation ("Y") to be responded in upper case letter. If transmission parameters have been changed (ref. TRANSMISSION PARAMETERS command, section 9.5) AND confirmation to the save-command is not "Y", then the transmission parameters, including bit-rate, will be reset to the previously saved settings <b>NB: Do not turn off power until the ready-prompt ("&gt;") has been received</b>

**Table 9-46: Error messages for s (SAVE) command**

Error	Message	Possible reason
E001	UNKNOWN COMMAND	Command is incorrectly entered
E002	INCORRECT NUMBER OF PARAMETERS	Any characters between command and <CR>
E003	INVALID PARAMETER	Value of parameter outside valid range
E004	EXCEEDED MAXIMUM NUMBER OF SAVES	Warning appears when maximum number of saves has been exceeded (10,000 saves). STIM318 will always attempt to save the configuration when receiving the s (SAVE)-command.
E005	ERROR DURING SAVE	System parameters not successfully transferred to flash

```
>s
SYSTEM PARAMETERS WILL BE PERMANENTLY CHANGED. CONFIRM SAVE(Y/N): Y
SYSTEM PARAMETERS SUCCESSFULLY STORED IN FLASH.
NUMBER OF SAVES = 26
>
```

**Figure 9-43: Example of response from s (SAVE) command when confirming save**

```
>s
SYSTEM PARAMETERS WILL BE PERMANENTLY CHANGED. CONFIRM SAVE(Y/N): N
SAVE COMMAND ABORTED.
>
```

**Figure 9-44: Example of response from s (SAVE) command when not confirming save**

```
>s
SYSTEM PARAMETERS WILL BE PERMANENTLY CHANGED. CONFIRM SAVE(Y/N): y
SAVE COMMAND ABORTED.

E003 INVALID PARAMETER
>
```

**Figure 9-45: Example of response from s (SAVE) command when not correctly responding to confirmation**

### 9.13 x (EXIT) command

General description: Terminates Service Mode and returns to Normal Mode directly or via Init Mode (ref. Figure 7-6).

**Table 9-47 : Available x (EXIT) command**

Syntax	Response
x<SP><exit_to><CR>	Terminates Service Mode

**Table 9-48 : Allowed values for <exit\_to> for x (EXIT) command**

<exit_to>	Result
n	Terminates Service Mode and return to Normal Mode. If system parameters have been changed compared to flash content, a confirmation is requested before exiting to Normal Mode (“Y” in upper case letter). There will be a 3 seconds hold-time between the transmitted command response and execution of the EXIT-command.
i	Terminates Service Mode and return to Init Mode. If system parameters have been changed compared to flash content, a confirmation is requested before exiting to Normal Mode (“Y” in upper case letter). There will be a 3 seconds hold-time between the transmitted command response and execution of the EXIT-command. <b>NB: Changes made to system parameters, but not saved, will be overwritten by the data already stored in flash when entering Init Mode.</b>
N	Terminates Service Mode and return immediately to Normal Mode (without confirmation if system parameters have been changed compared to flash and without any hold-time)
I	Terminates Service Mode and return immediately to Init Mode (without confirmation if system parameters have been changed compared to flash and without any hold-time). <b>NB: Changes made to system parameters, but not saved, will be overwritten by the data already stored in flash when entering Init Mode.</b>

**Table 9-49: Error messages for x (EXIT) command**

Error	Message	Possible reason
E001	UNKNOWN COMMAND	Command is incorrectly entered
E002	INCORRECT NUMBER OF PARAMETERS	Too many or too few parameters, use of comma between command and first parameter
E003	INVALID PARAMETER	Value of parameter outside valid range

```
>x n
SYSTEM RETURNING TO NORMAL MODE.
```

**Figure 9-46: Example of response from x n (EXIT) command when system parameters match contents of flash**

```
>x i
SYSTEM RETURNING TO INIT MODE.
```

**Figure 9-47: Example of response from x i (EXIT) command when system parameters match contents of flash**

```
>x n
CURRENT SYSTEM PARAMETERS DO NOT MATCH FLASH CONTENT. CONFIRM EXIT(Y/N): Y
SYSTEM RETURNING TO NORMAL MODE.
```

**Figure 9-48: Example of response from x n (EXIT) command after system parameters have been changed but not saved with confirmed EXIT**

```
>x i
CURRENT SYSTEM PARAMETERS DO NOT MATCH FLASH CONTENT. CONFIRM EXIT(Y/N): N
>
```

**Figure 9-49: Example of response from x i (EXIT) command after system parameters have been changed but not saved with confirmed not to EXIT**

```
>x n
CURRENT SYSTEM PARAMETERS DOES NOT MATCH FLASH CONTENT. CONFIRM EXIT(Y/N): n

E003 INVALID PARAMETER

>
```

**Figure 9-50: Example of response from x n (EXIT) command after system parameters have been changed but not saved with incorrect response to confirmation.**

## 9.14 z (RESTORE TO FACTORY SETTINGS) command

General description: Restores the configuration of the unit to its factory settings. Note: BTO-parameters are not reset

**Table 9-50: Available z (RESTORE TO FACTORY SETTINGS) commands**

Syntax	Response
z<CR>	Restores the configuration of the unit to its factory settings. <b>NB: The restored configuration will not be permanent unless it is SAVED to flash before EXITing Service Mode, resetting the unit or turning off power.</b>
z<SP>,'s',<CR>	Restores the configuration of the unit to its factory settings and saves the configuration to flash. <b>NB: Do not turn off power until the ready-prompt ("&gt;") has been received</b>

**Table 9-51: Error messages for z (RESTORE TO FACTORY SETTINGS) command**

Error	Message	Possible reason
E001	UNKNOWN COMMAND	Command is incorrectly entered
E002	INCORRECT NUMBER OF PARAMETERS	Any characters between command and <CR>
E003	INVALID PARAMETER	Value of parameter outside valid range
E004	EXCEEDED MAXIMUM NUMBER OF SAVES	Warning appears when maximum number of saves has been exceeded (10,000 saves). STIM318 will always attempt to save the configuration when receiving the s (SAVE)-command.
E005	ERROR DURING SAVE	System parameters not successfully transferred to flash

```
>z
RESTORE TO FACTORY SETTINGS.
CONFIRM CHANGE TO FACTORY SETTINGS (Y/N): Y

APPLYING FACTORY SETTINGS
FACTORY SETTINGS APPLIED. TO PERMANENTLY STORE THE SETTINGS, USE THE SAVE OR 'z s' COMMAND.

>
```

**Figure 9-51: Example of response from z (RESTORE TO FACTORY SETTINGS) command with no change in transmission parameters.**

```
>z
RESTORE TO FACTORY SETTINGS.
CONFIRM CHANGE TO FACTORY SETTINGS(Y/N): Y

THE TRANSMISSION CONFIGURATION WILL BE CHANGED TO:
BIT-RATE [bits/s] = 921600
DATA LENGTH = 8
STOP BITS = 1
PARITY = EVEN
PLEASE CONFIRM (Y/N): Y

APPLYING FACTORY SETTINGS
FACTORY SETTINGS APPLIED. TO PERMANENTLY STORE THE SETTINGS, USE THE SAVE OR 'z s' COMMAND.

>
```

**Figure 9-52: Example of response from z (RESTORE TO FACTORY SETTINGS) command with change in transmission parameters.**



```
>z s
RESTORE TO FACTORY SETTINGS.
CONFIRM CHANGE TO FACTORY SETTINGS AND SAVING(Y/N): Y

THE TRANSMISSION CONFIGURATION WILL BE CHANGED TO:
BIT-RATE [bits/s] = 921600
DATA LENGTH = 8
STOP BITS = 1
PARITY = EVEN
PLEASE CONFIRM (Y/N): Y

APPLYING FACTORY SETTINGS
FACTORY SETTINGS APPLIED AND SAVED.
NUMBER OF SAVES = 26

>
```

**Figure 9-53: Example of response from z s (RESTORE TO FACTORY SETTINGS with save of configuration) command with change in transmission parameters.**

## 9.15 ? (HELP) command

General description: Help function on the available commands in Service Mode.

**Table 9-52: Available ? (HELP) commands**

Syntax	Response
?<CR>	Lists the available parameters for this command
?<SP><hlp><CR>	Responds with information on the specified command

**Table 9-53: Allowed values for <hlp> for ? (HELP) command**

<hlp>	Result
i	Responds with information on the INFORMATION-command
a	Responds with information on the SINGLE-SHOT MEASUREMENT-command
c	Responds with information on the DIAGNOSTIC-command
d	Responds with information on the DATAGRAM FORMAT-command
t	Responds with information on the TRANSMISSION PARAMETERS-command
r	Responds with information on the LINE TERMINATION-command
u	Responds with information on the OUTPUT UNIT-command
f	Responds with information on the LP FILTER -3dB FREQUENCY-command
m	Responds with information on the SAMPLE RATE-command
g	Responds with information on the GYRO G-COMP-command
b	Responds with information on the BIAS TRIM OFFSET-command
s	Responds with information on the SAVE-command
x	Responds with information on the EXIT-command
z	Responds with information on the RESTORE TO FACTORY SETTINGS-command

**Table 9-54: Error messages for ? (HELP) commands**

Error	Message	Possible reason
E001	UNKNOWN COMMAND	Command is incorrectly entered
E002	INCORRECT NUMBER OF PARAMETERS	Too many or too few parameters, use of comma between command and first parameter
E003	INVALID PARAMETER	Value of parameter outside valid range

```

>?
AVAILABLE PARAMETERS:
i: LISTS SPECIFIC INFORMATION
a: PERFORMS A SINGLE-SHOT MEASUREMENT
c: PERFORMS A DIAGNOSTIC OF THE UNIT
d: CHANGES DATAGRAM FORMAT
t: CHANGES TRANSMISSION PARAMETERS
r: CHANGES THE LINE TERMINATION
u: CHANGES OUTPUT UNIT
f: CHANGES LP FILTER -3DB FREQUENCY
m: CHANGES SAMPLE RATE
g: CHANGES CONFIGURATION OF GYRO G-COMPENSATION
b: CHANGES BIAS TRIM OFFSETS
s: SAVES CONFIGURATION DATA
x: EXITS SERVICE MODE
z: RESTORES FACTORY SETTINGS

>

```

**Figure 9-54: Example of response from ? (HELP) command**

```

>? i
i: LISTS THE PRODUCT CONFIGURATION DATA
i s: RETURNS THE SERIAL NUMBER
i n: RETURNS THE PRODUCT NAME
i x: RETURNS THE PART NUMBER
i a: RETURNS THE AXIS CONFIGURATION
i p: RETURNS THE FW CONFIGURATION AND REVISION
i m: RETURNS THE SAMPLE RATE
i f: RETURNS THE LP FILTER -3DB FREQUENCY
i d: RETURNS THE DATAGRAM FORMAT
i t: RETURNS THE TRANSMISSION PARAMETERS
i r: RETURNS THE LINE TERMINATION SETTING
i u: RETURNS THE OUTPUT UNIT
i g: RETURNS THE CONFIGURATION OF GYRO G-COMPENSATION
i b: RETURNS THE BIAS TRIM OFFSETS
i e: PRINTS THE EXTENDED ERROR INFORMATION FROM THE LAST DETECTED ERROR IN NORMAL MODE

>

```

**Figure 9-55: Example of response from ? i (HELP on INFORMATION) command**

```

>? a
a: PERFORMS A SINGLE-SHOT MEASUREMENT

>

```

**Figure 9-56: Example of response from ? a (HELP ON SINGLE-SHOT MEASUREMENT) command**

```

>? c
c: PERFORMS A DIAGNOSTIC OF THE UNIT

>

```

**Figure 9-57: Example of response from ? c (HELP on DIAGNOSTIC) command**

```

>? d
d <type>,'<term>': CHANGES THE DATAGRAM FORMAT
  ALLOWED VALUES FOR <type>:
    0 = ID, RATE, COUNTER, LATENCY, CRC
    1 = ID, RATE, ACCELERATION, COUNTER, LATENCY, CRC
    2 = ID, RATE, INCLINATION, COUNTER, LATENCY, CRC
    3 = ID, RATE, ACCELERATION, INCLINATION, COUNTER, LATENCY, CRC
    4 = ID, RATE, TEMPERATURE, COUNTER, LATENCY, CRC
    5 = ID, RATE, ACCELERATION, TEMPERATURE, COUNTER, LATENCY, CRC
    6 = ID, RATE, INCLINATION, TEMPERATURE, COUNTER, LATENCY, CRC
    7 = ID, RATE, ACCELERATION, INCLINATIONS, TEMPERATURE, COUNTER, LATENCY, CRC
  ALLOWED VALUES FOR <term>:
    0 = NONE
    1 = <CR><LF>

>

```

**Figure 9-58: Example of response from ? d (DATAGRAM TRANSMISSION MODE AND TERMINATION) command**

```

>? t
t <bit-rate code>['','<bit-rate>]: CHANGES THE BIT-RATE [bits/s]
t <bit-rate code>['','<bit-rate>'],'<stop bits>', '<parity>': CHANGES THE BIT-RATE [bits/s], NUMBER OF STOP-BITS AND PARITY
  ALLOWED VALUES FOR <bit-rate code>:
    0 = 374400
    1 = 460800
    2 = 921600
    3 = 1843200
    f = USER-DEFINED
  <bit-rate> MUST ONLY BE INCLUDED WHEN <bit-rate code> = f
  ALLOWED RANGE FOR <bit-rate>:
    1500 – 5184000 (INTEGER VALUE). SEE STIM318 DATASHEET FOR LIMITATIONS
  ALLOWED VALUES FOR <stop bits>:
    1 = 1
    2 = 2
  ALLOWED VALUES FOR <parity>:
    0 = NONE
    1 = ODD
    2 = EVEN
>

```

**Figure 9-59: Example of response from ? t (HELP on TRANSMISSION PARAMETERS) command**

```

>? r
r <on/off>: TURNS LINE TERMINATION ON OR OFF
  ALLOWED VALUES FOR <on/off>:
    0 = OFF
    1 = ON
>

```

**Figure 9-60: Example of response from ? r (HELP on LINE TERMINATION) command**

```

>? u
u <sens>', '<unit>: CHANGES OUTPUT UNIT
  ALLOWED VALUES FOR <sens>:
    g = GYRO
    a = ACCELEROMETER
    i = INCLINOMETER
  ALLOWED VALUES FOR u,g,<unit>:
    0 = ANGULAR RATE
    1 = INCREMENTAL ANGLE
    2 = AVERAGE ANGULAR RATE
    3 = INTEGRATED ANGLE
    8 = ANGULAR RATE - DELAYED
    9 = INCREMENTAL ANGLE - DELAYED
    a = AVERAGE ANGULAR RATE - DELAYED
    b = INTEGRATED ANGLE - DELAYED
  ALLOWED VALUES FOR u,a,<unit>:
    0 = ACCELERATION
    1 = INCREMENTAL VELOCITY
    2 = AVERAGE ACCELERATION
  ALLOWED VALUES FOR u,i,<unit>:
    0 = ACCELERATION
    1 = INCREMENTAL VELOCITY
    2 = AVERAGE ACCELERATION
>

```

**Figure 9-61: Example of response from ? u (HELP on OUTPUT UNIT) command**

```

>? f
f <-3dBfreq>: CHANGES THE LP FILTER -3DB FREQUENCY [Hz] FOR ALL SENSORS AND AXES
f <-3dBfreq>',<sens>: CHANGES THE LP FILTER -3DB FREQUENCY [Hz] FOR ALL AXES OF SPECIFIED SENSOR
f <-3dBfreq>',<sens>',<axis>: CHANGES THE LP FILTER -3DB FREQUENCY [Hz] FOR A SPECIFIC SENSOR AND AXIS
  ALLOWED VALUES FOR <-3dBfreq>:
    0 = 16
    1 = 33
    2 = 66
    3 = 131
    4 = 262
  ALLOWED VALUES FOR <sens>:
    g = GYRO(S)
    a = ACCELEROMETER(S)
    i = INCLINOMETER(S)
  ALLOWED VALUES FOR <axis>:
    x = X-AXIS
    y = Y-AXIS
    z = Z-AXIS
>

```

**Figure 9-62: Example of response from ? f (HELP on LP FILTER -3dB FREQUENCY) command**

```

>? m
m <sampl.rate>: CHANGES THE SAMPLE RATE [samples/s]
  ALLOWED VALUES FOR <sampl.rate>
    0 = 125
    1 = 250
    2 = 500
    3 = 1000
    4 = 2000
    5 = EXTERNAL TRIGGER
>

```

**Figure 9-63: Example of response from ? m (HELP on SAMPLE RATE) command**

```

>? g
g <StdComp>: CHANGES GYRO G-COMP TO A PRE-DEFINED CONFIGURATION
g <StdComp>,<FilterCutoff>: CHANGES GYRO G-COMP TO A PRE-DEFINED CONFIG., BUT SPECIAL LP-FILTER CUTOFF
g <BiasSource>,<BiasFilter>,<ScaleSource>,<ScaleFilter>[,<FilterCutoff>]: CHANGES CONFIGURATION OF GYRO-G-COMP
g <Xonoff><Yonoff><Zonoff><BiasSource>,<BiasFilter>,<ScaleSource>,<ScaleFilter>[,<FilterCutoff>]: CHANGES
CONFIGURATION OF GYRO-G-COMP ON SPECIFIED AXES
  ALLOWED VALUES FOR <StdComp>:
    0 = <BiasSource> = 0, <BiasFilter> = 0, <ScaleSource> = 0, <ScaleFilter> = 0 (NO GYRO G-COMP)
    1 = <BiasSource> = 0, <BiasFilter> = 0, <ScaleSource> = 1, <ScaleFilter> = 0
    2 = <BiasSource> = 0, <BiasFilter> = 0, <ScaleSource> = 1, <ScaleFilter> = 1, <FilterCutoff> = 0.01
    3 = <BiasSource> = 1, <BiasFilter> = 0, <ScaleSource> = 0, <ScaleFilter> = 0
    4 = <BiasSource> = 1, <BiasFilter> = 1, <ScaleSource> = 0, <ScaleFilter> = 0, <FilterCutoff> = 0.01
    5 = <BiasSource> = 2, <BiasFilter> = 0, <ScaleSource> = 0, <ScaleFilter> = 0
    6 = <BiasSource> = 2, <BiasFilter> = 1, <ScaleSource> = 0, <ScaleFilter> = 0, <FilterCutoff> = 0.01
    7 = <BiasSource> = 1, <BiasFilter> = 0, <ScaleSource> = 1, <ScaleFilter> = 0
    8 = <BiasSource> = 1, <BiasFilter> = 1, <ScaleSource> = 1, <ScaleFilter> = 0, <FilterCutoff> = 0.01
    9 = <BiasSource> = 2, <BiasFilter> = 0, <ScaleSource> = 1, <ScaleFilter> = 0
    a = <BiasSource> = 2, <BiasFilter> = 1, <ScaleSource> = 1, <ScaleFilter> = 0, <FilterCutoff> = 0.01
    b = <BiasSource> = 1, <BiasFilter> = 1, <ScaleSource> = 1, <ScaleFilter> = 1, <FilterCutoff> = 0.01
    c = <BiasSource> = 2, <BiasFilter> = 1, <ScaleSource> = 2, <ScaleFilter> = 1, <FilterCutoff> = 0.01
  ALLOWED RANGE FOR <FilterCutoff>
    0.010 – 5.000 (ENTERED VALUE IS IN [Hz])
  ALLOWED VALUES FOR <BiasSource> and <ScaleSource>:
    0 = OFF (NO G-COMP)
    1 = ACCELEROMETER
    2 = INCLINOMETER
  ALLOWED VALUES FOR <BiasFilter> and <ScaleFilter>:
    0 = GYRO G-COMP LP-FILTER NOT IN USE (OFF)
    1 = GYRO G-COMP LP-FILTER IN USE (ON)
  ALLOWED VALUES FOR <Xonoff>,<Yonoff> and <Zonoff>:
    0 = NO GYRO G-COMP FOR SPECIFIC AXIS (OFF)
    1 = GYRO G-COMP FOR SPECIFIC AXIS (ON)
>

```

Figure 9-64: Example of response from ? g (HELP on GYRO G-COMP) command

```

>? b
b <BiasTrimOffset>: CHANGES BIAS TRIM OFFSET FOR ALL SENSORS AND ALL AXES TO <BiasTrimOffset>
b <BiasTrimOffset>,<Sensor>: CHANGES BIAS TRIM OFFSET FOR ALL AXES OF SPECIFIED SENSOR TO <BiasTrimOffset>
b <DeltaBiasTrimOffset>,<Sensor>,<Axis>: ADJUSTS BIAS TRIM OFFSET FOR SPECIFIED SENSOR AND AXIS BY
<DeltaBiasTrimOffset>
b <RefInfo>,<r>: DEFINES REFERENCE INFO FOR BIAS TRIM OFFSET. <RefInfo> IS A 32-BIT UNSIGNED INTEGER
  ALLOWED VALUES FOR <Sensor>:
    g = GYRO(S)
    a = ACCELEROMETER(S)
    i = INCLINOMETER(S)
  ALLOWED VALUES FOR <axis>:
    x = X-AXIS
    y = Y-AXIS
    z = Z-AXIS
  ALLOWED RANGE FOR <BiasTrimOffset>:
    GYROS [%/s]: -1.00000 TO 1.00000
    ACCELEROMETERS [g]: -0.100000 TO 0.100000
    INCLINOMETERS [g]: -0.0200000 TO 0.0200000
>

```

Figure 9-65: Example of response from ? b (HELP on BIAS TRIM OFFSET) command

```

>? s
s: SAVES SYSTEM PARAMETERS TO FLASH
>

```

Figure 9-66: Example of response from ? s (HELP on SAVE) command

```
>? x
x n: EXITS SERVICE MODE AND RETURNS TO NORMAL MODE
x i: EXITS SERVICE MODE AND RETURNS TO INIT MODE
x N: EXITS SERVICE MODE AND RETURNS IMMEDIATELY TO NORMAL MODE
x I: EXITS SERVICE MODE AND RETURNS IMMEDIATELY TO INIT MODE
NB: NON-MAVED SYSTEM PARAMETERS WILL BE OVERWRITTEN BY STORED CONTENT IN FLASH
WHEN EXITING TO INIT MODE

>
```

**Figure 9-67: Example of response from ? x (HELP on EXIT) command**

```
? z
z: RESTORES FACTORY SETTINGS

>
```

**Figure 9-68: Example of response from ? z (HELP on RESTORE TO FACTORY SETTINGS) command**

## 10 COMMANDS IN BIAS TRIM OFFSET MODE

Several commands are available in Bias Trim Offset Mode to adjust or reset the bias trim offsets.

### 10.1 Acknowledgement for entering Bias Trim Offset Mode

After the "BTOMODE"-command has been received, the response as shown in Figure 10-1 is transmitted to acknowledge having entered Bias Trim Offset Mode:

```
#BTOMODE,240<CR>
```

**Figure 10-1: Acknowledgement for entering Bias Trim Offset Mode**

The number 240 in Figure 10-1 is the CRC of the response, ref. section 10.2.3

### 10.2 Command protocol for Bias Trim Offset Mode

The protocol is optimized for machine – machine communication. All communication is however in readable ASCII format.

#### 10.2.1 Command string

- All commands start with a message start character, '\$'
- All characters must be in lower case letters
- All parameters are delimited by character: ',' (comma)
- Leading white space characters <SP> and <HT> are allowed in front of all parameters
- Decimal separator is ".", scientific notation is allowed.
- To ensure correct reception, last parameter is always an 8 bit CRC checksum (ref. section 10.2.3)
- All commands are terminated by ASCII character carriage return (<CR>)
- Maximum number of characters in command string (including <CR>) is 100

#### 10.2.2 Response string

- All responses from STIM318 starts with a start character '#'
- The first return value is the command
- All characters will be in lower case letters
- All data are delimited by character: ',' (comma)
- Second value is status of the executed command (0= OK, other = error), (ref. section 10.2.4)
- Number of extra return values are defined for each command
- Last value is always an 8 bit CRC checksum to ensure correct transmission (ref. section 10.2.3)
- All command responses are terminated by ASCII character carriage return (<CR>)

#### 10.2.3 Checksum

Both the command string and the response string contain a checksum as the last parameter to ensure that the string content is transmitted correctly.

The Checksum is calculated as a Cyclic Redundancy Checksum (CRC) with polynomial  $X^8 + X^2 + X + 1$ , seed = 0x0FF.

The checksum is calculated from ASCII values of all the characters in the preceding string, including the start character ('\$' or '#') and the last comma in front of the checksum.

The checksum value is presented as an ASCII string with a decimal value "0" through "255"

```
$isn,28<CR>  
#isn,0,N2558184602002,32<CR>
```

**Figure 10-2: Example of response string with CRC checksum**



### 10.2.4 Command status codes

The status parameter is reporting the result of decoding and processing of the given command. Table 10-1 lists the possible status codes. When status = 0 then there are no errors.

**Table 10-1: List of possible status codes for commands**

Status code	Reason
0	Command execution OK
1	Invalid command (\$ missing in start of command-string)
2	Incorrect CRC
3	Unknown command
4	Incorrect number of parameters
5	Invalid parameter(s)
6	Exceeded maximum number of saves
7	Error during save
8	Requested change(s) reduced due to violation of min/max limits for bias trim offset(s)

If more than one error occurs, the lowest status code will be in the command-response.

Example of invalid command: `ibto,160<CR>`  
 Response to command: `#,1,180<CR>`

**Figure 10-3: Example of response in case of invalid command (status code = 1)**

Example of command with incorrect CRC: `$sbto,0.00123,12<CR>`  
 Response to command: `#,2,139<CR>`

**Figure 10-4: Example of response in case of incorrect CRC (status code = 2)**

Example of command with unknown command: `$dbto,0.00123,0<CR>`  
 Response to command: `#,3,158<CR>`

**Figure 10-5: Example of response in case of unknown command (status code = 3)**

Example of command with incorrect number of parameters: `$sbto,0.0123,g,y,0,2<CR>`  
 Response to command: `#sbto,4,136<CR>`

**Figure 10-6: Example of response in case of incorrect number of parameters (status code = 4)**

Example of command with invalid parameter(s): `$sbto,0.0123,s,y, 60<CR>`  
 Response to command: `#sbto,5,157<CR>`

**Figure 10-7: Example of response in case of invalid parameter(s) (status code = 5)**

Example of command when exceeded maximum number of saves occurs: `$save,33<CR>`  
 Response to command: `#save,6,0,158<CR>`

**Figure 10-8: Example of response in case of exceeded maximum number of saves (status code = 6)**

Example of command when error during save occurs: `$save,33<CR>`  
 Response to command: `#save,7,8848,163<CR>`

**Figure 10-9: Example of response in case of error during save (status code = 7)**

Example of command with requested change(s) reduced due to violation of min/max limits for bias trim offset(s):  
`$sdbto,0.01388,-0.02425,0.01724,-1,1,1,0.0083054,0.0102123,-0.0045032,252<CR>`  
 Response to command: `#sdbto,8,0.02311,0.00934,-0.54432,-0.100000,0.100000,0.100000,0.0183432,-0.0134233,-0.0033322,203<CR>`

**Figure 10-10: Example of response in case of requested change(s) reduced due to violation of min/max limits for bias trim offset(s) (status code = 8)**

### 10.3 Info commands

General description: Various commands to request information related to bias trim offset.

**Table 10-2: Available info commands**

Command	Comments
<b>\$ibto</b>	Returns the bias trim offsets
<b>\$isv</b>	Returns the number of remaining saves
<b>\$irf</b>	Returns the last programmed reference information
<b>\$isn</b>	Returns the product serial number of the device
<b>\$ix</b>	Returns the part number of the device

#### 10.3.1 \$ibto

Purpose: Provide information about the bias trim offsets

Format: \$ibto,<CRC><CR>
Example of command: \$ibto,160<CR>
Example of response: #ibto,0.01388,-0.02425,0.01724,-0.036230,0.002872,0.015903,0.0083054,0.0102123,-0.00450326,198<CR>
Explanation of response:
1: ibto = command
2: Status of command execution: ref. Table 10-1
3: Gyro X-axis bias trim offset [°/s] (number format: decimal number with 5 decimals)
4: Gyro Y-axis bias trim offset [°/s] (number format: decimal number with 5 decimals)
5: Gyro Z-axis bias trim offset [°/s] (number format: decimal number with 5 decimals)
6: Accelerometer X-axis bias trim offset [g] (number format: decimal number with 6 decimals)
7: Accelerometer Y-axis bias trim offset [g] (number format: decimal number with 6 decimals)
8: Accelerometer Z-axis bias trim offset [g] (number format: decimal number with 6 decimals)
9: Inclinometer X-axis bias trim offset [g] (number format: decimal number with 7 decimals)
10: Inclinometer Y-axis bias trim offset [g] (number format: decimal number with 7 decimals)
11: Inclinometer Z-axis bias trim offset [g] (number format: decimal number with 7 decimals)
12: CRC-8 calculation

**Figure 10-11: Specification and example of \$ibto command**

#### 10.3.2 \$isv

Purpose: Provide information about the number of remaining saves

Format: \$isv,<CRC><CR>
Example of command: \$isv,227<CR>
Example of response: #isv,0,9958,168<CR>
Explanation of response:
1: isv = command
2: Status of command execution: ref. Table 10-1
3: Number of remaining saves (number format: integer)
4: CRC-8 calculation

**Figure 10-12: Specification and example of \$isv command**

#### 10.3.3 \$irf

Purpose: Provide information about last programmed reference information

Format: \$irf,223<CR>
Example of command: \$irf,223<CR>
Example of response: #irf,43638,44<CR>
Explanation of response:
1: irf = command
2: Status of command execution: ref. Table 10-1
3: Reference information (number format: unsigned integer)
4: CRC-8 calculation

**Figure 10-13: Specification and example of \$irf command**

### 10.3.4 \$isn

Purpose: Provide information about product serial number

Format: \$isn,<CRC><CR>
Example of command: \$isn,28<CR>
Example of response: #isn,0,N2558184602002,32<CR>
Explanation of response: 1: isn = command 2: Status of command execution: ref. Table 10-1 3: SERIAL NUMBER = N2558184602002 4: CRC-8 calculation

**Figure 10-14: Specification and example of \$isn command**

### 10.3.5 \$ix

Purpose: Provide information about part number and revision

Format: \$ix,<CRC><CR>
Example of command: \$ix,118<CR>
Example of response: #ix,0,84792,-,133<CR>
Explanation of response: 1: ix = command 2: Status of command execution: ref. Table 10-1 3: PART NUMBER = 84972 4: Revision = - 5: CRC-8 calculation

**Figure 10-15: Specification and example of \$ix command**

## 10.4 Programming commands

General description: Various commands to program parameters related to bias trim offset.

Note: The programming commands do not permanently store the new values. The updated values will be in effect until the part is powered off or reset. To permanently store the new values, the \$save-command (SAVE) must be used after having updated the required parameters.

**Table 10-3: Available programming commands**

Command	Comments
\$sdbto	Adjust in bias trim offsets
\$sbto	Programs the bias trim offset(s)
\$srf	Programs the 4 bytes of reference information

### 10.4.1 \$sdbto

Purpose: Adjust the bias trim offsets

<p>Format: \$sdbto,&lt;Gyro dX&gt;,&lt;Gyro dY&gt;,&lt;Gyro dZ&gt;,&lt;Acc dX&gt;,&lt;Acc dY&gt;,&lt;Acc dZ&gt;,&lt;Inc dX&gt;,&lt;Inc dY&gt;,&lt;Inc dZ&gt;,&lt;CRC&gt;&lt;CR&gt;</p> <p>Explanation of input parameters:            &lt;Gyro dX&gt;: Required adjustment in bias trim offset for gyro X-axis [°/s]            &lt;Gyro dY&gt;: Required adjustment in bias trim offset for gyro Y-axis [°/s]            &lt;Gyro dZ&gt;: Required adjustment in bias trim offset for gyro Z-axis [°/s]            &lt;Acc dX&gt;: Required adjustment in bias trim offset for accelerometer X-axis [g]            &lt;Acc dY&gt;: Required adjustment in bias trim offset for accelerometer Y-axis [g]            &lt;Acc dZ&gt;: Required adjustment in bias trim offset for accelerometer Z-axis [g]            &lt;Inc dX&gt;: Required adjustment in bias trim offset for inclinometer X-axis [g]            &lt;Inc dY&gt;: Required adjustment in bias trim offset for inclinometer Y-axis [g]            &lt;Inc dZ&gt;: Required adjustment in bias trim offset for inclinometer Z-axis [g]</p> <p>Example of command: \$sdbto,0.01388,-0.02425,0.01724,-0.036230,0.002872,0.015903,0.0083054,0.0102123,-0.0045032,41&lt;CR&gt;            Example of response: #sdbto,0,0.02311,0.00934,-0.54432,0.089453,0.002666,-0.053422,0.0183432,-0.0134233,-0.0033322,229&lt;CR&gt;</p> <p>Explanation of response:            1: sdbto = command            2: Status of command execution: ref. Table 10-1            3: Actual programmed bias trim offset for gyro X-axis [°/s] (number format: decimal number with 5 decimals)            4: Actual programmed bias trim offset for gyro Y-axis [°/s] (number format: decimal number with 5 decimals)            5: Actual programmed bias trim offset for gyro Z-axis [°/s] (number format: decimal number with 5 decimals)            6: Actual programmed bias trim offset for accelerometer X-axis [g] (number format: decimal number with 6 decimals)            7: Actual programmed bias trim offset for accelerometer Y-axis [g] (number format: decimal number with 6 decimals)            8: Actual programmed bias trim offset for accelerometer Z-axis [g] (number format: decimal number with 6 decimals)            9: Actual programmed bias trim offset for inclinometer X-axis [g] (number format: decimal number with 7 decimals)            10: Actual programmed bias trim offset for inclinometer Y-axis [g] (number format: decimal number with 7 decimals)            11: Actual programmed bias trim offset for inclinometer Z-axis [g] (number format: decimal number with 7 decimals)            12: CRC-8 calculation</p>
---

**Figure 10-16: Specification and example of \$sdbto command**

### 10.4.2 \$sbto

Purpose: Program the bias trim offset(s)

Format1: \$sbto,<BiasTrimOffset>,<CRC><CR>  
 Format2: \$sbto,<BiasTrimOffset>,<SensorCluster>,<CRC><CR>  
 Format3: \$sbto, <BiasTrimOffset>,<SensorCluster>,<Axis> ,<CRC><CR>

Explanation of input parameters:

<BiasTrimOffset>: New value of bias trim offset [°/s] or [g]

<SensorCluster>: Sensor cluster to be programmed. Valid entries are:

- g : gyro
- a : accelerometer
- i : inclinometer

<Axis>: Specific axis to be programmed. Valid entries are:

- x : X-axis
- y : Y-axis
- z : Z-axis

<CRC>: CRC-8 calculation

Example of command using format1: \$sbto,0,165<CR> (example clears bias trim offset for all axes)

Example of response using format1:

#sbto,0,0.00000,0.00000,0.00000,0.00000,0.00000,0.00000,0.00000,0.00000,0.00000,177<CR>

Example of command using format2: \$sbto,0,a,125<CR> (example clears bias trim offset for all accelerometers)

Example of response using format2:

#sbto,0,0.02311,0.00934,0.54432,0.00000,0.00000,0.00000,0.0183432,0.0134233,0.0033322,181<CR>

Example of command using format3: \$sbto,3.4e-03,g,y,128<CR> (example sets bias trim offset for gyro Y-axis to 0.0034°/s)

Example of response using format3:

#sbto,0,0.02311,0.00340,0.54432,0.089453,0.002666,0.053422,0.0183432,0.0134233,0.0033322,209<CR>

Explanation of response:

- 1: sbto = command
- 2: Status of command execution: ref. Table 10-1
- 3: Actual programmed bias trim offset for gyro X-axis [°/s] (number format: decimal number with 5 decimals)
- 4: Actual programmed bias trim offset for gyro Y-axis [°/s] (number format: decimal number with 5 decimals)
- 5: Actual programmed bias trim offset for gyro Z-axis [°/s] (number format: decimal number with 5 decimals)
- 6: Actual programmed bias trim offset for accelerometer X-axis [g] (number format: decimal number with 6 decimals)
- 7: Actual programmed bias trim offset for accelerometer Y-axis [g] (number format: decimal number with 6 decimals)
- 8: Actual programmed bias trim offset for accelerometer Z-axis [g] (number format: decimal number with 6 decimals)
- 9: Actual programmed bias trim offset for inclinometer X-axis [g] (number format: decimal number with 7 decimals)
- 10: Actual programmed bias trim offset for inclinometer Y-axis [g] (number format: decimal number with 7 decimals)
- 11: Actual programmed bias trim offset for inclinometer Z-axis [g] (number format: decimal number with 7 decimals)
- 12: CRC-8 calculation

**Figure 10-17: Specification and example of \$sbto command**

### 10.4.3 \$srf

Purpose: Program the reference info

Format: \$srf,<RefInfo>,<CRC><CR>

Explanation of input parameters:

<RefInfo>: Reference information (format: 32-bit unsigned integer), e.g. a date code

<CRC>: CRC-8 calculation

Example of command: \$srf,43638,122<CR> (example shows programming of datecode for "June 22, 2019" (=43638))

Example of response: #srf,43638,39<CR>

Explanation of response:

- 1: srf = command
- 2: Status of command execution: ref. Table 10-1.
- 3: Actual programmed reference info
- 4: CRC-8 calculation

**Figure 10-18: Specification and example of \$srf command**

## 10.5 General commands

General description: Various general commands.

**Table 10-4: Available general commands**

Command	Comments
\$save	Saves updated parameters to flash memory
\$xn	Terminates Bias Trim Offset Mode and returns to Normal Mode

### 10.5.1 \$save

Purpose: Permanently store bias trim offset related parameters to flash memory

Format: \$save,<CRC><CR>
Example of command: \$save,33,<CR>
Example of response: #save,0,9958,175<CR>
Explanation of response (format):
1: save = command
2: Status of command execution: ref. Table 10-1
3: Remaining number of saves
4: CRC-8 calculation

**Figure 10-19: Specification and example of \$save command**

Note: the parameters will be saved even if remaining number of saves was 0 prior to saving. However, this could eventually lead to quality issues related to the flash memory.

**Note: Do not turn off power until the command response has been received**

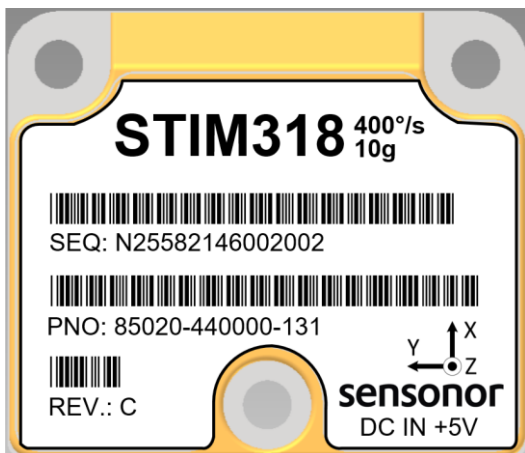
### 10.5.2 \$xn

Purpose: Terminate Bias Trim Offset Mode and return to Normal Mode

Format: \$xn,<CRC><CR>
Example of command: \$xn,150,<CR>
Example of response: #xn,0,125<CR>
Explanation of response (format):
1: xn = command
2: Status of command execution: ref. Table 10-1
3: CRC-8 calculation

**Figure 10-20: Specification and example of \$xn command**

## 11 MARKING



**Figure 11-1: Example of marking of STIM318**

## 12 CONFIGURATION / ORDERING INFORMATION

The STIM318 will be delivered according to the configuration code as shown below. All configuration parameters can be changed later in Service Mode, ref. section 7.4.3. A full list of configurable parameters can be found in Table 5-10.

Configuration parameters in **bold** letters show the standard option.

Range		Measurement						Output/RS422			
Prod_ID	-	Sample rate	Filter bandwidth	Gyro output unit	Acc. output unit	Incl. output unit	Gyro g-comp	-	Datagram	Bit-rate	Termination

Range STIM318		
Prod_ID	Gyro	Acc
85063	400°/s	5g
85020	400°/s	10g
85082	400°/s	30g
85068	400°/s	80g

Range STIM318e		
Prod_ID	Gyro	Acc
85064	400°/s	5g
84972	400°/s	10g

Sample rate:
0 = 125 samples/s
1 = 250 samples/s
2 = 500 samples/s
3 = 1000 samples/s
<b>4 = 2000 samples/s</b>
5 = External Trigger

Filter bandwidth:
0 = 16Hz
1 = 33Hz
2 = 66Hz
3 = 131Hz
<b>4 = 262Hz</b>

Gyro output unit:
<b>0 = Angular Rate [°/s]</b>
1 = Incremental Angle [°/sample]
2 = Average Angular Rate [°/s]
3 = Integrated Angle [°]
8 = Angular Rate [°/s] – delayed
9 = Incremental Angle [°/sample] – delayed
a = Average Angular Rate [°/s] – delayed
b = Integrated Angle [°] - delayed

Acc. output unit:
<b>0 = Acceleration [g]</b>
1 = Incremental Velocity [m/s/sample]
2 = Average Acceleration [g]
3 = Integrated Velocity [gs]

Incl. output unit:
<b>0 = Acceleration [g]</b>
1 = Incremental Velocity [m/s/sample]
2 = Average Acceleration [g]
3 = Integrated Velocity [gs]

	Bias		Scale-factor	
	Source	0.01Hz-filter	Source	0.01Hz-filter
<b>0</b>	<b>OFF</b>	-	<b>OFF</b>	-
1 <sup>1)</sup>	OFF	-	ACC	OFF
2	OFF	-	ACC	ON
3 <sup>1)</sup>	ACC	OFF	OFF	-
4	ACC	ON	OFF	-
5 <sup>1)</sup>	INC	OFF	OFF	-
6	INC	ON	OFF	-
7 <sup>1)</sup>	ACC	OFF	ACC	OFF
8 <sup>1)</sup>	ACC	ON	ACC	OFF
9 <sup>1)</sup>	INC	OFF	ACC	OFF
a <sup>1)</sup>	INC	ON	ACC	OFF
b	ACC	ON	ACC	ON
c	INC	ON	INC	ON

Datagram				
	Included data			
	Rate	Acceleration	Inclination	Temperature
0	YES	NO	NO	NO
1	YES	YES	NO	NO
2	YES	NO	YES	NO
<b>3</b>	<b>YES</b>	<b>YES</b>	<b>YES</b>	<b>NO</b>
4	YES	NO	NO	YES
5	YES	YES	NO	YES
6	YES	NO	YES	YES
7	YES	YES	YES	YES

Bit-rate:
0 = 374400 bits/s
1 = 460800 bits/s
<b>2 = 921600 bits/s</b>
3 = 1843200 bits/s <sup>2+3)</sup>
f = User-defined <sup>3)</sup>

Termination		
	Line	Datagram
0	OFF	None
<b>1</b>	<b>ON</b>	<b>None</b>
2	OFF	<CR><LF>
3	ON	<CR><LF>

RS422 data configuration	
#Start bit	1
#Data bits	8
#Stop bits	1 <sup>4)</sup>
Parity	None <sup>4)</sup>

- 1) Delayed gyro output unit should be selected with this option
- 2) USB-based evaluation kit works at bit-rates ≤ 1.5Mbit/s + 2Mbit/s and 3Mbits/s
- 3) Bit-rate must be specified. See section 9.5 for limitations
- 4) Configuration can be changed in SERVICEMODE. See section 9.5

Example: 85020-413020-330 has the following configuration:

- Gyro range = 400°/s, accelerometer range = 10g
- Sample rate = 2000 samples/s
- Low-pass filter bandwidth = 33Hz
- Gyro output unit = Integrated Angle [°]
- Accelerometer output unit = Acceleration [g]
- Inclinator output unit = Average Acceleration [g]
- No g-/acc-compensation of bias and scale-factor
- Datagram containing Rate, Acceleration and Inclination
- Bit-rate = 1843200 bits/s
- Datagram Termination = None
- Line termination OFF

---

# POWERED BY TRUST

---

Information furnished by Safran is believed to be accurate and reliable. However, no responsibility is assumed by Safran for its use, nor for any infringements of patents or other rights of third parties that may result from its use. Safran reserves the right to make changes without further notice to any products herein. Safran makes no warranty, representation or guarantee regarding the suitability of its products for any particular purpose, nor does Safran assume any liability arising out of the application or use of any product or circuit, and specifically disclaims any and all liability, including without limitation consequential or incidental damages. No license is granted by implication or otherwise under any patent or patent rights of Safran. Trademarks and registered trademarks are the property of their respective owners. Safran products are not intended for any application in which the failure of the Safran product could create a situation where personal injury or death may occur. Should Buyer purchase or use Safran products for any such unintended or unauthorized application, Buyer shall indemnify and hold Safran and its officers, employees, subsidiaries, affiliates, and distributors harmless against all claims, costs, damages, and expenses, and reasonable legal fees arising out of, directly or indirectly, any claim of personal injury or death associated with such unintended or unauthorized use, even if such claim alleges that Safran was negligent regarding the design or manufacture of the part.

## Safran Sensing Technologies AS

[sales@sensor.com](mailto:sales@sensor.com)

[safran-sensing-technologies.com](http://safran-sensing-technologies.com)